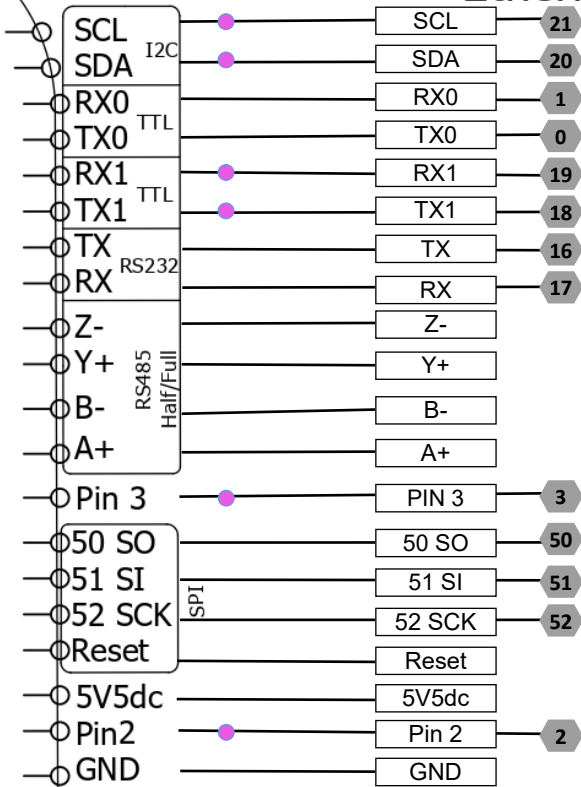




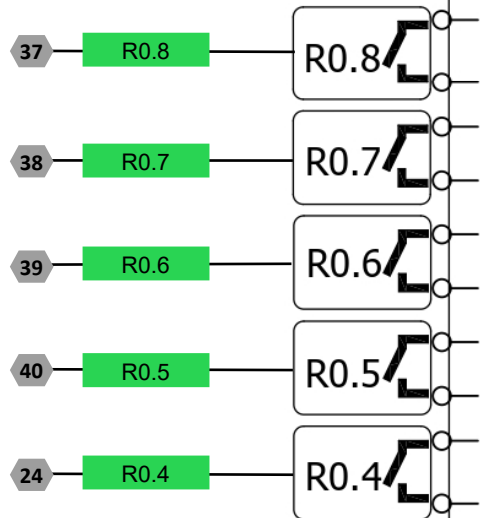
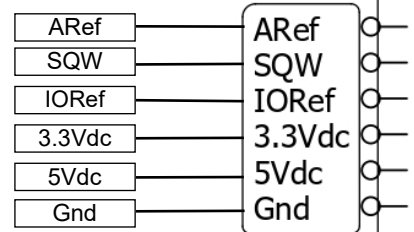
Industrial Shields

M-Duino 19R+ Ethernet controller

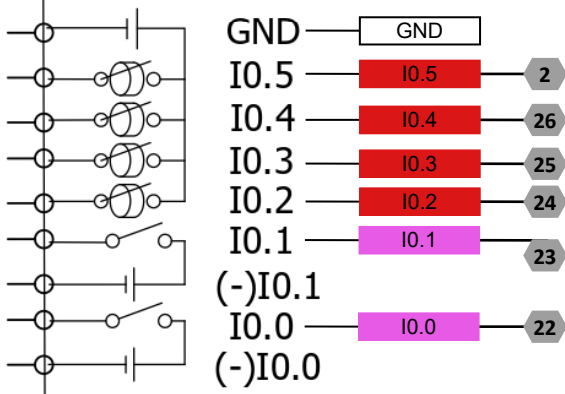
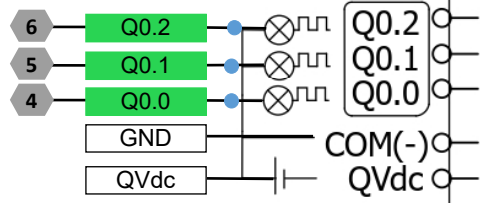
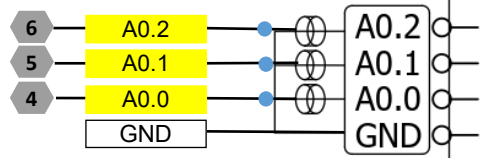
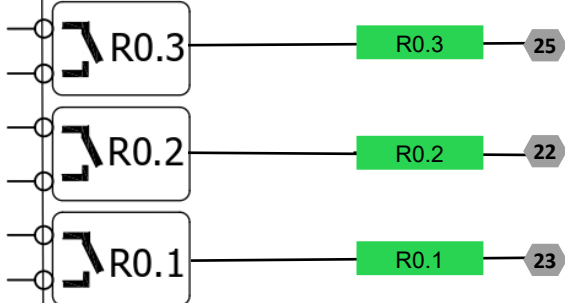
www.industrialshields.com



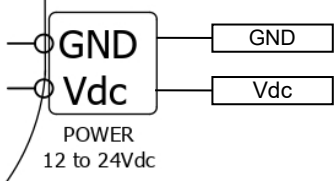
Zona A



Zona B



- DIGITAL OUT
- DIGITAL/PWM OUT
- ANALOG OUT
- DIGITAL/ANALOG IN
- DIGITAL IN
- ANALOG/DIGITAL CONFIGURATION SWITCH
- COMMUNICATION SWITCH
- COMMUNICATION SWITCH 2



Analog:
 0 to 10Vdc
 Digital:
 5 to 24Vdc
 Digital:
 5 to 24Vdc

- ARDUINO PIN
- ARDBOX FUNCTION
- SWITCH CONF.
- ISOLATED