



INDUSTRIAL SHIELDS

PLC ARDUINO ARDBOX 20 I/Os ANALOG HF MODBUS & WIFI & BLE

Wi-Fi & Bluetooth Ardbox 20 I/Os

Analog HF Modbus User Guide:



PLC Arduino ARDBOX 20 I/Os Analog HF WIFI & BLE User Guide

Revised August 2019

This user guide is for version PLC Arduino ARDBOX 20 I/Os Analog HF
WIFI & BLE, with Reference name 007001001200. For older versions
refer to user guide with Cat. No. ABOX-103-001-72

Preface

This User Guide is been implemented by Boot & Work, S.L. working under the name Industrial Shields.

Purpose of the manual

The information contained in this manual can be used as a reference to operating, to functions, and to the technical data of the signal modules, power supply modules and interface modules.

Intended Audience

This User Guide is intended for the following audience:

- Persons in charge of introducing automation devices.
- Persons who design automation systems.
- Persons who install or connect automation devices.
- Persons who manage working automation installation.



Warnings:

- Unused pins should not be connected. Ignoring the directive may damage the controller.
- Improper use of this product may severely damage the controller.
- Refer to the controller's User Guide regarding wiring considerations.
- Before using this product, it is the responsibility of the user to read the product's User Guide and all accompanying documentation.
- Maintenance must be performed by qualified personnel familiarized with the construction, operation, and hazards involved with the control.
- Maintenance should be performed with the control out of operation and disconnected from all sources of power.
- Care should be taken when servicing electrostatic sensitive components. The manufacturer's recommendations for these components should be followed.
- The Ardbox Family PLCs are Open Type Controllers. It is required that you install the Ardbox PLC in a housing, cabinet, or electric control room. Entry to the housing,

cabinet, or electric control room should be limited to authorized personnel. Failure to follow these installation requirements could result in severe personal injury and/or property damage. Always follow these requirements when Ardbox family PLCs.

- In case of installation or maintenance of the Ardbox please follow the instructions marked in the Installation and Maintenance section.
- Do not disconnect equipment when a flammable or combustible atmosphere is present. Disconnection of equipment when a flammable or combustible atmosphere is present may cause a fire or explosion which could result in death, serious injury and/or property damage.



Avertissements:

- Les broches non utilisées ne doivent pas être connectées. Ignorer la directive peut endommager le contrôleur.
- Une utilisation incorrecte de ce produit peut endommager gravement le contrôleur.
- Reportez-vous au Guide de l'utilisateur du contrôleur pour les considérations de câblage.
- Avant d'utiliser ce produit, il incombe à l'utilisateur de lire le Guide de l'utilisateur du produit et la documentation qui l'accompagne.
- La maintenance doit être effectuée par personnel qualifié familiarisé avec la fabrication, le fonctionnement et les dangers liés au contrôleur.
- La maintenance doit être effectuée avec l'équipement hors service et déconnectée de toutes les sources d'alimentation.
- Faites attention lors de l'entretien des composants sensibles à l'électricité statique. Les recommandations du fabricant pour ces composants doivent être suivies.
- Les automates de la famille Ardbox sont des contrôleurs de type ouvert. Il est nécessaire d'installer l'automate Ardbox dans un boîtier, une armoire ou une salle de contrôle électrique. L'accès au boîtier, à l'armoire ou à la salle de commande électrique doit être limité au personnel autorisé. Le non-respect de ces exigences d'installation peut entraîner des blessures graves et/ou des dommages matériels importants. Respectez toujours ces exigences lors de l'installation des automates de la famille Ardbox.
- En cas d'installation ou de maintenance du Ardbox, veuillez suivre les instructions indiquées dans la section Installation et Maintenance.
- Ne débranchez pas l'équipement en présence d'une atmosphère inflammable ou combustible. La déconnexion de l'équipement en présence d'une atmosphère inflammable ou combustible peut provoquer un incendie ou une explosion pouvant entraîner la mort, des blessures graves et/ou des dommages matériels.

Application Considerations and Warranty

Read and Understand this Manual

Please read and understand this manual before using the product. Please consult your comments or questions to Industrial Shields before using the product.

Application Consideration

THE PRODUCTS CONTAINED IN THIS DOCUMENT ARE NOT SAFETY RATED. THEY SHOULD NOT BE RELIED UPON AS A SAFETY COMPONENT OR PROTECTIVE DEVICE FOR ENSURING SAFETY OF PERSONS, AS THEY ARE NOT RATED OR DESSIGNED FOR SUCH PURPOSES.

Please know and observe all prohibitions of use applicable to the products.

FOR AN APPLICATION INVOLVING SERIOUS RISK TO LIFE OR PROPERTY WITHOUT ENSURING THAT THE SYSTEM AS A WHOLE HAS BEEN DESSIGNED TO ADDRESS THE RISKS, NEVER USE THE INDUSTRIAL SHIELDS PRODUCTS.

NEVER USE THE INDUSTRIAL SHIELDS PRODUCTS BEFORE THEY ARE PROPERLY RATED AND INSTALLED FOR THE INTENDED USE WITHIN THE OVERALL EQUIPMENT OR SYSTEM.

Industrial Shields shall not be responsible for conformity with any codes, regulations or standards that apply to the combination of products in the customer's application or use of the product.

The following are some examples of applications for which particular attention must be given. This is not intended to be an exhaustive list of all possible uses of the products, nor is it intended to imply that the uses may be suitable for the products:

- Systems, machines, and equipment that could present a risk to life or property.
- Nuclear energy control systems, combustion systems, railroad systems, aviation systems, medical equipment, amusement machines, vehicles, safety equipment, and installation subject to separate industry or government regulations.
- Outdoor use, uses involving potential chemical contamination or electrical interference, or conditions or uses not described in this document.

At the customer's request, INDUSTRIAL SHIELDS will provide applicable third party certification documents identifying ratings and limitations of use that apply to the products. This information by itself is not sufficient for a complete determination of the suitability of the products in combination with the system, machine, end product, or other application or use.

Intended use or of Industrial Shields products

Consider the following:

Industrial Shields products should only be used for the cases of application foreseen in the catalogue and the associated technical documentation. If third-party products and components are used, they must have been recommended or approved by Industrial Shields.

The correct and safe operation of the products requires that your transport, storage, installation, assembly, operation and maintenance have been carried out in a correct It must respect the permissible ambient conditions. You should also follow the indications and warnings that appear in the associated documentation.

The product / system dealt with in this documentation should only be handled or manipulated by qualified personnel for the task entrusted and observing what is indicated in the documentation corresponding to it, particularly the safety instructions and warnings included in it. Due to their training and experience, qualified personnel are in a position to recognize risks resulting from the handling or manipulation of such products / systems and to avoid possible hazards.

Disclaimers

Weights and Dimensions

Dimensions and weights are nominal and they are not used for manufacturing purposes, even when tolerances are shown.

Performance Data

The performance data given in this manual is provided as a guide for the user in determining suitability and does not constitute a warranty. It may represent the result of INDUSTRIAL SHIELDS's test conditions, and the users most correlate it to actual application requirements. Actual performance is subject to the INDUSTRIAL SHIELDS Warranty and Limitations of Liability.

Change in Specifications

Product specifications and accessories may be changed at any time based on improvements and other reasons.

It is our practice to change model numbers when features are changed, or published ratings or when significant construction changes are made. However, some specifications of the products may be changed without any notice. When in doubt, special numbers may be assigned to fix or stablish key specifications for your application on your request. Please consult with your INDUSTRIAL SHIELDS representative at any time to confirm actual specifications of purchased products.

Errors and Omissions

The information in this document has been carefully checked and is believed to be accurate; however, no responsibility is assumed for clerical, typographical, or proofreading errors, or omissions.

The control and drive components of an Industrial Shields PLC are approved for industrial and commercial use in industrial line supplies. Their use in public line supplies requires a different configuration and/or additional measures. These components may only be operated in closed housings or in higher-level control cabinets with protective covers that are closed, and when all of the protective devices are used. These components may only be handled by qualified and trained technical personnel who are knowledgeable and observe all of the safety information and instructions on the components and in the associated technical user documentation. When carrying out a risk assessment of a machine in accordance with the EU Machinery Directive, the machine manufacturer must consider the following residual risks associated with the control and drive components of a PDS.

1. Unintentional movements of driven machine components during commissioning, operation, maintenance, and repairs caused by, for example: – Hardware defects and/or software errors in the sensors, controllers, actuators, and connection technology – Response times of the controller and drive – Operating and/or ambient conditions not within the scope of the specification – Condensation / conductive contamination – Parameterization, programming, cabling, and installation errors – Use of radio devices / cellular phones in the immediate vicinity of the controller – External influences / damage.
2. Exceptional temperatures as well as emissions of noise, particles, or gas caused by, for example: – Component malfunctions – Software errors – Operating and/or ambient conditions not within the scope of the specification – External influences / damage.
3. Hazardous shock voltages caused by, for example: – Component malfunctions – Influence of electrostatic charging – Induction of voltages in moving motors – Operating and/or ambient conditions not within the scope of the specification – Condensation / conductive contamination – External influences / damage
4. Electrical, magnetic and electromagnetic fields generated in operation that can pose a risk to people with a pacemaker, implants or metal replacement joints, etc. if they are too close.
5. Release of environmental pollutants or emissions as a result of improper operation of the system and/or failure to dispose of components safely and correctly.

Warranty and Limitations of Liability

Warranty

Industrial Shields's exclusive warranty is that the products are free from defects in materials and workmanship for a period of one year (or other period if specified) from date of sale by Industrial Shields.

INDUSTRIAL SHIELDS MAKES NO REPRESENTATION OR WARRANTY, EXPRESSED OR IMPLIED, REGARDING MERCHANTABILITY, NON-INFRINGEMENT, OR FITNESS FOR PARTICULAR PURPOSE OF THE PRODUCTS. ANY BUYER OR USER ACKNOWLEDGES THAT THE BUYER OR USER ALONE HAS DETERMINED THAT THE PRODUCTS WILL SUITABLY MEET THE REQUIREMENTS OF THEIR INTENDED USE. INDUSTRIAL SHIELDS DISCLAIMS ALL OTHER WARRANTIES, EXPRESS OR IMPLIED

Limitations of Liability

INDUSTRIAL SHIELDS SHALL NOT BE RESPONSIBLE FOR SPECIAL, INDIRECT, OR CONSEQUENTIAL DAMAGES, LOSS OF PROFITS OR COMERCIAL LOSS IN ANY WAY CONNECTED WITH THE PRODUCTS, WHETHER SUCH CLAIM IS BASED ON CONTRACT, WARRANTY, NEGLIGENCE, OR STRICT LIABILITY.

IN NO EVENT SHALL INDUSTRIAL SHIELDS BE RESPONSIBLE FOR WARRANTY, REPAIR OR OTHER CLAIMS REGARDING THE PRODUCTS UNLESS INDUSTRIAL SHIELDS'S ANALYSIS CONFIRMS THAT THE PRODUCTS WERE PROPERLY HANDLED, STORED, INSTALLED, AND MAINTAINED AND NOT SUBJECT TO CONTAMINATION, ABUSE, MISUSE, OR INAPPROPRIATE MODIFICATION OR REPAIR.

Table of Contents

1.	Ardbox Analog HF: General Features.....	11
2.	Technical Specifications	12
2.1	General Specifications:.....	12
2.2	Performance Specification:	12
2.3	Symbology	13
3.	Precautions	14
3.1	Arduino Board	14
3.2	Intended Audience	14
3.3	General Precautions.....	14
4.	Software interface.....	14
5.	How to connect PLC Arduino to PC.....	17
6.	How to connect PLC to power supply	18
7.	Ardbox Analog I/O pinout:	20
7.1	Zone Connections.....	20
8.	Switch configuration	22
8.1	General Switches Configuration.....	22
8.2	RS- 485 Switch configuration	24
8.3	RS-232 Switch configuration	24
8.4	I2C Switch configuration	25
9.	Jumper Configuration.....	25
10.	Hardware Serial RS-232 & RS-485 Configuration.....	26
10.1	Hardware Serial RS-485.....	26
10.2	Hardware Serial RS-232.....	27
11.	Ardbox - Arduino I/Os 5V pins.....	28
11.1	I2C pins – SDA/SCL	29
11.2	Pin3.....	29
11.3	SPI – MISO/MOSI/SCK	29
12.	WiFi & BLE	29
12.1	General Specifications:.....	30
12.2	WiFi & Bluetooth Module Configuration	30
13.	I/O technical details	33
14.	Typical Connections	36
15.	Connector details	40
16.	ARDBOX Family Dimensions:.....	41
17.	Installation and Maintenance	42




18. Revision Table 45

1. Ardbox Analog HF: General Features

COMPACT PLC ARDUINO ARDBOX 20I/Os ANALOG HF			
Supply Voltage 24 Vcc	Input Voltage	12 to 24Vdc ---	Fuse protection (2.5A) Polarity protection
	Input rated voltage	24 Vdc ---	
I/Os Digital Analog Relay	Rated Power	30 W	
	I Max.	1,5A	
	Size	100x45x115	
	Clock Speed	16MHz	
	Flash Memory	32KB of which 4KB are used by bootloader	
	SRAM	2.5KB	
	EEPROM	1KB	
	Communications	I2C -- USB -- RS232 -- RS485 -- SPI -- TTL -- WiFi -- BLE	RS485
	TOTAL Input points	10	
	TOTAL Output points	10	
An/Dig Input 10bit (0-10Vcc)	0 to 10Vac Input Impedance: 39K Separated PCB ground Rated Voltage: 10Vac 7 to 24Vdc I min: 2 to 12 mA Galvanic Isolation Rated Voltage: 24 Vdc ---		
* Interrupt isolated Input HS (24Vcc)	7 to 24Vdc I min: 2 to 12 mA Galvanic Isolation Rated Voltage: 24Vdc	7 to 24Vdc I min: 3/6 mA Separated PCB ground	
Analog Output 8bit (0-10Vcc)	0 to 10Vac I max: 20 mA Separated PCB ground Rated Voltage: 10Vac ---		
Digital Isolated Output (24Vcc)	5 to 24Vdc I max: 70 mA Galvanic Isolation Diode Protected for Relay Rated Voltage: 24Vdc ---	I _{max} 24Vdc: 410 mA	
PWM Isolated Output 8bit (24Vcc)	5 to 24Vdc I max: 70 mA Galvanic Isolation Diode Protected for Relay Rated Voltage: 24Vdc ---	PWM Isolated Output 8bit (24Vcc)	
Expandability	I2C -- RS232 -- RS485 -- SPI -- TTL -- WiFi -- BLE		
Reference	007001001200		

2. Technical Specifications

2.1 General Specifications:

Power supply voltage	DC power supply	12 to 24Vdc 
Operating voltage range	DC power supply	11.4 to 25.4Vdc 
Power consumption	DC power supply	30VAC max.
External power supply	Power supply voltage	24Vdc 
	Power supply output capacity	700 mA
Insulation resistance		20MΩ min. at 500Vdc between the AC terminals and the protective ground terminal.
Dielectric strength		2.300 VAC at 50/ 60 Hz for one minute with a leakage current of 10mA max. Between all the external AC terminals and the protective earth terminal.
Shock resistance		80m/s ² in the X, Y and Z direction 2 times each.
Ambient temperature (operating)		0° to 60°C
Ambient humidity (operating)		10% to 90% (no condensation)
Ambient environment (operating)		With no corrosive gas
Ambient temperature (storage)		-20° to 60°C
Power supply holding time		2ms min.
Weight		350g max.









2.2 Performance Specification:

Arduino Board	ARDUINO LEONARDO
Control method	Stored program method
I/O control method	Combination of the cyclic scan and immediate refresh processing methods.
Programming language	Arduino IDE. Based on wiring (Wiring is an Open Source electronics platform composed of a programming language. "similar to the C". http://arduino.cc/en/Tutorial/HomePage)
Microcontroller	ATmega32u4
Flash Memory	32KB of which 4KB are used by bootloader
Program capacity (SRAM)	2.5KB
EEPROM	1KB

Clock Speed	16MHz
-------------	-------

2.3 Symbology

Table that includes all the symbology that is used in the serigraph of the Ardbox WiFi & BLE PLC Arduino Ethernet 58 I/Os Analog/Digital PLUS:

Symbol	Standard No. / Standard Title	Standard Reference No. / Symbol Title	Symbol Meaning
	IEC 60417 / Graphical symbols for use on equipment	5031 / Direct Current	Indicates that the equipment is suitable for direct current only; to identify relevant terminals
	IEC 60417 / Graphical symbols for use on equipment	5032 / Alternating Current	Indicates that the equipment is suitable for alternating current only; to identify relevant terminals
	IEC 60417 / Graphical symbols for use on equipment	5130 / Pulse General	To identify the control by which a pulse is started.
	IEC 60417 / Graphical symbols for use on equipment	5017 / Earth, Ground	To identify an earth (ground) terminal in cases where neither the symbol 5018 nor 5019 is explicitly required.
	IEC 60417 / Graphical symbols for use on equipment	5115 / Signal lamp	To identify the switch by means of which the signal lamp(s) is (are) switched on or off.
	Medical Devices Directive 93/42/EEC	CE Marking	CE marking indicates that a product complies with applicable European Union regulations
	ISO 7000/ Graphical symbols for use on equipment	0434B / Warning symbol	Indicates a potentially hazardous situation which, if not avoided, could result in death or serious injury
	ISO 7000/ Graphical symbols for use on equipment	5036 / Dangerous Voltage	To indicate hazards arising from dangerous voltages

3. Precautions

Read this manual before attempting to use the ARDBOX 20 I/Os Analog HF WIFI & BLE and follow its descriptions for reference during operation.

3.1 Arduino Board

The ARDBOX 20 I/Os Analog HF WIFI & BLE PLCs include Arduino Leonardo Board as controller.

3.2 Intended Audience

This manual is intended for technicians, which must have knowledge on electrical systems.

3.3 General Precautions

The user must operate Ardbox according to the performance specifications described in this manual.

Before using ARDBOX 20 I/Os Analog HF WIFI & BLE under different conditions from what has been specified in this manual or integrating ARDBOX 20 I/Os Analog HF WIFI & BLE to nuclear control systems, railroad systems, aviation systems, vehicles, combustion systems, medical equipment, amusement machines, safety equipment and other systems, machines, and equipment that may have a serious influence on lives and property if used improperly, consult your INDUSTRIAL SHIELDS representative. Ensure that the rating and performance characteristics of Ardbox are sufficient for the systems, machines, and equipment, and be sure to provide the systems, machines, and equipment double safety mechanisms. This manual provides information for programming and operating the Ardbox.

4. Software interface

Industrial Shields PLC are programmed using Arduino IDE, which is a software based on the C language. They can also be programmed using directly C but it is much easier working with Arduino IDE as it provides lots of libraries that helps in the programming.

Furthermore Industrial Shields provides boards for programming the PLCs much easier. Basically it is no needed to define the pins and if that pins are inputs or outputs. Everything is set up automatically if using the boards.

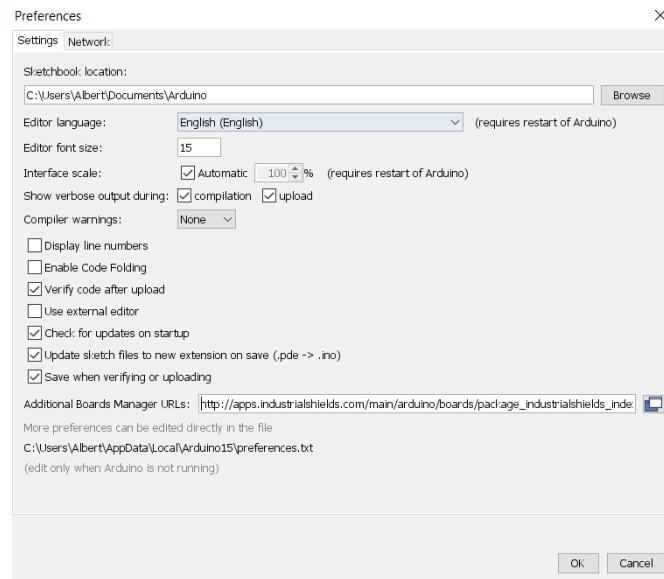
In order to install Industrial Shields boards, these are the steps that must be followed.

Requirements:

Arduino IDE 1.8.0 or above (better to have always the latest version).

Steps:

1. Open Arduino IDE and go to: "File -> Preferences" located in the top left corner.

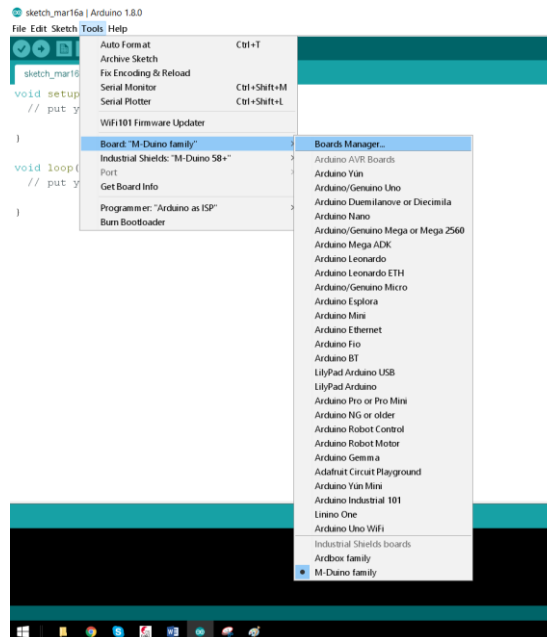


2. In Additional Boards URLs write the following:

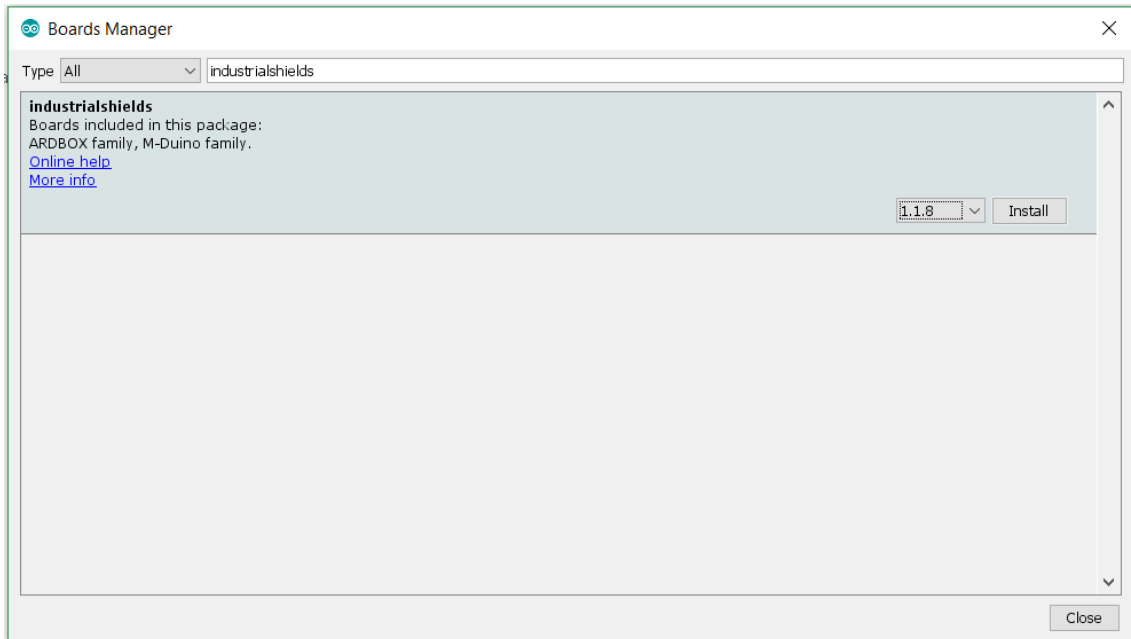
http://apps.industrialshields.com/main/arduino/boards/package_industrialshields_index.json

3. Press OK to save the changes.

4. Go to: Tools -> Board: ... -> Boards Manager

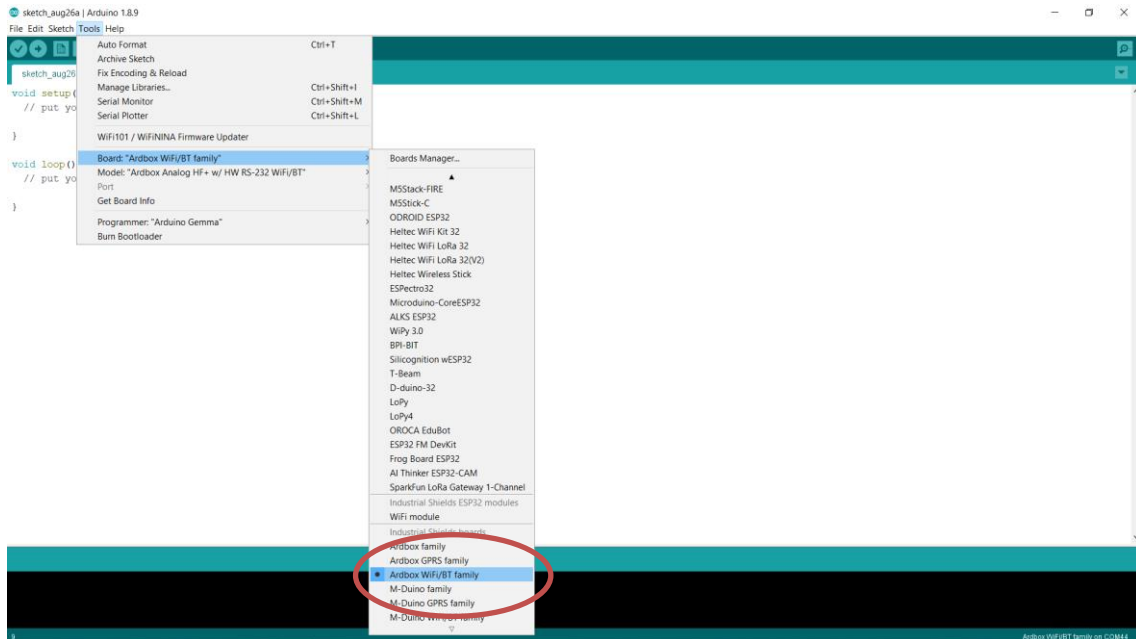


5. Search for industrialshields.



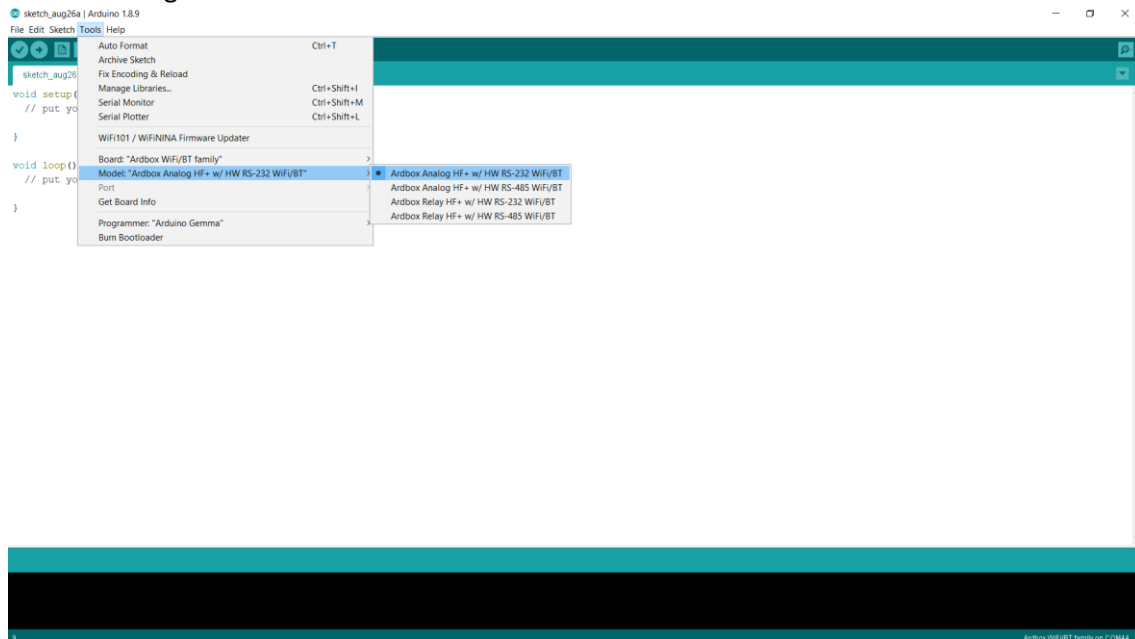
6. Click install (selecting the latest version).

Following this steps you will be able to use now the Industrial Shields Boards:



Once it is selected the Ardbox Family or Ardbox WiFi & BLE family an extra option will appear on Tools:

- Select the correct Ardbox WiFi Board (Ardbox Analog HF+ w/HW RS-232 WiFi/BT or Ardbox Analog HF+ w/HW RS-485 WiFi/BT) depending on your jumpers & switch configuration.



Also there are some examples of programming in File -> Examples -> Ardbox Family.

Furthermore there are some extra libraries that can be found in Industrial Shields github.

<https://github.com/IndustrialShields/>

5. How to connect PLC Arduino to PC

- Connect USB port from PLC to PC.

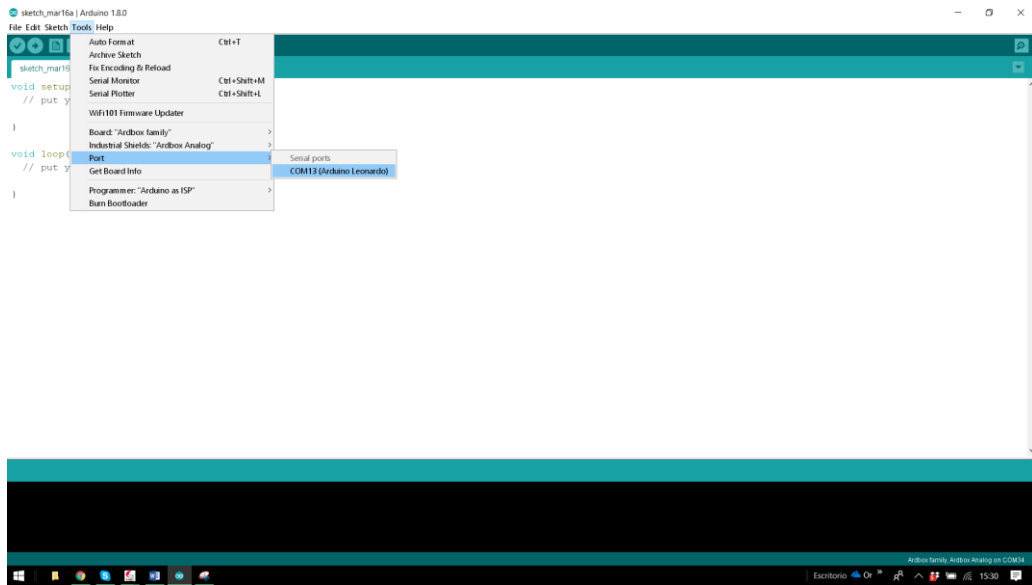
NOTE:

Ardbox Family uses micro USB cable.



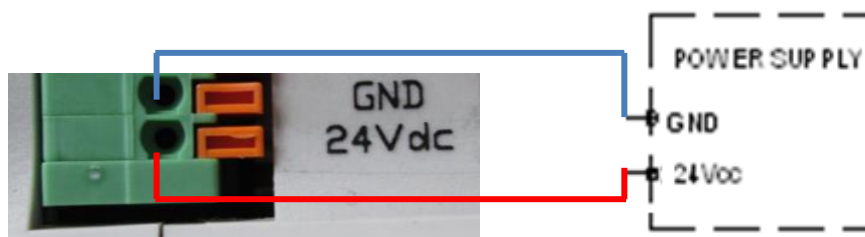
- Open Arduino IDE interface:
- Select Industrial Shields boards -> Ardbox Family

- Select correct port.



6. How to connect PLC to power supply

- Ardbox Family PLCs are 12-24Vdc supplied. **IMPORTANT: The polarity IS NOT REVERSAL!**
- Make sure that the live and GND connector of the power supply match the PLC.
- Make sure that the power supply mains output is not higher than 24Vdc.



- Suggested power suppliers

Compact DIN rail power supply. Assembled on 35mm
DIN Rail:
-12Vdc / 24Vdc
-2.5A
-30W

Industrial Shields power supplies provide parallel operation, overvoltage protection, and overcurrent protection. There is a LED indicator for power status, the power supply is certified according to UL.



The standard, Part 1 of IEC 61010, sets the general safety requirements for the following types of electrical devices and their accessories, regardless of where use of the device is intended.

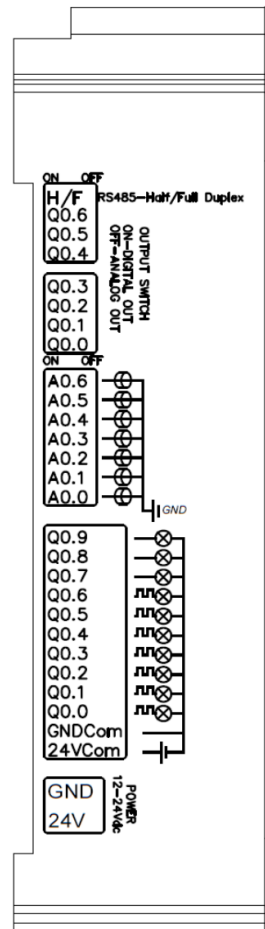
The equipment must be powered from an external power source in accordance with IEC 61010-1, whose output is MBTS and is limited in power according to section 9.4 of IEC 61010-1.

WARNING: Once the equipment is installed inside an electrical cabinet, the MTBS cables of the equipment must be separated from the dangerous voltage cables.

7. Ardbox Analog I/O pinout:

7.1 Zone Connections

LEFT ZONE		
Ardbox Connector	Arduino Pin	Function
A0.6 ¹	3	Analog Out
A0.5 ¹	5	Analog Out
A0.4 ¹	6	Analog Out
A0.3 ¹	9	Analog Out
A0.2 ¹	10	Analog Out
A0.1 ¹	11	Analog Out
A0.0 ¹	13	Analog Out
Q0.9 ²	1	Digital Output
Q0.8 ²	0	Digital Output
Q0.7	7	Digital Output
Q0.6 ¹	3	PWM/digital Output
Q0.5	5	PWM/digital Output
Q0.4	6	PWM/digital Output
Q0.3	9	PWM/digital Output
Q0.2	10	PWM/digital Output
Q0.1	11	PWM/digital Output
Q0.0	13	PWM/digital Output
GNDCOM	-	GND
24VCOM	-	Power Supply



LEFT ZONE

Switch config*
 (see section 8 for Communications configuration. Enabling Communications disables some I/Os)

Analog Outputs pins

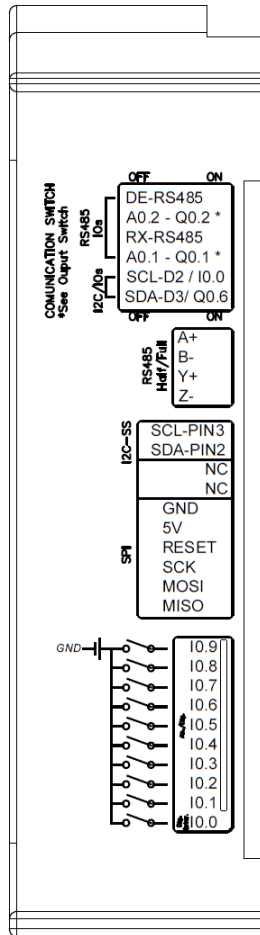
Digital Outputs pins

Power supply connectors (24Vdc – GND)

¹ See section 8 to enable these connections

² See section 9 to enable these connections

RIGHT ZONE			
Ardbox Connector	Arduino Pin RS232 HS*	Arduino Pin RS485 HS*	Function
A+ ^{1,2}	-	-	RS485(A)
B- ^{1,2}	-	-	RS485(B)
Y+ ^{1,2}	-	-	RS485(Y)
Z- ^{1,2}	-	-	RS485(Z)
SCL-PIN3 ¹	3	3	SCL(I2C)
SCL-PIN2 ¹	2	2	RESET WIFI
TX-RS232 ^{1,2}	1	4	-
RX-RS232 ^{1,2}	0	8	-
5V	-	-	5Vout DC
RESET	-	-	RESET
SCK	-	-	SPI
MOSI	WIFI	WIFI	SPI
MISO	WIFI	WIFI	SPI
I0.9	18	18	Analog/Digital Input
I0.8	19	19	Analog/Digital Input
I0.7	20	20	Analog/Digital Input
I0.6	21	21	Analog/Digital Input
I0.5	22	22	Analog/Digital Input
I0.4	23	23	Analog/Digital Input
I0.3 ¹	8	8	Digital Input
I0.2 ¹	4	4	Digital Input
I0.1	12	12	Digital Input
I0.0 ¹	2	2	Digital interrupt



RIGHT ZONE

Switch config*

(see section 8 for Communications configuration. Enabling Communications disables some I/Os)

Communications pins

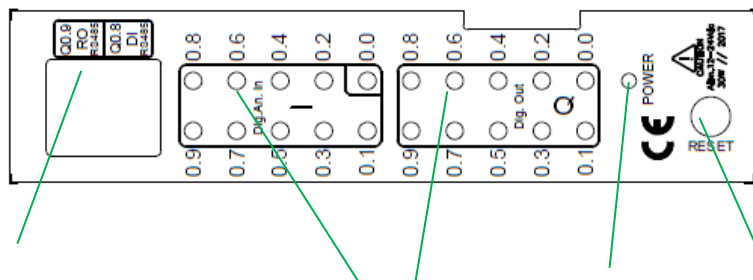
Digital/Analog Inputs

HS*: Hardware Serial
SS*: Software Serial

¹ See section 8 to enable these connections
² See section 9 to enable these connections

NOTE: Although in the serigraphy it is not shown the RS232 communication pins, in the reality it exists. The change that has to be done is the following:

	DEFAULT SERIGRAPHY	CORRECT SERIGRAPHY
SCL-PIN3	SDA-PIN2	SDA-PIN2
SDA-PIN2	NC	TX-RS232
NC	NC	RX-RS232
NC	GND	GND



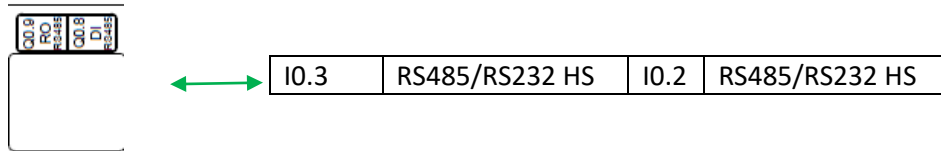
Config switch *
(see section 8 for communications configuration)

Input / Output

Power LED

Arduino Reset button 21

NOTE: Although in the TOP ZONE serigraphy it is shown Q0.9 & Q0.8 pins, in the reality they are I0.3 I0.2 pins respectively. Additionally although the serigraphy only is expressed for the RS485 it is also the same for the RS232. So if it is desired to enable any of the Hardware Serial connection this is the function of these switches. See chapter 8 for more information



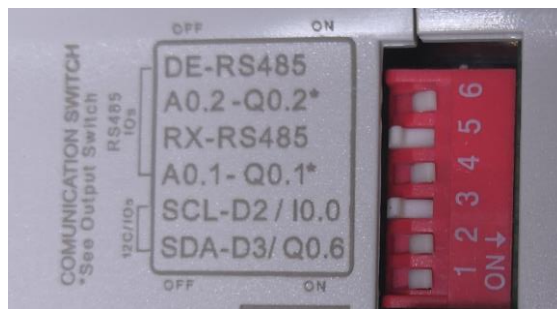
8. Switch configuration

8.1 General Switches Configuration

LEFT ZONE.

Communications and inputs/outputs can not work simultaneously.

LEFT ZONE		
SWITCH	OFF	ON
DE-RS485	A0.2-Q0.2*	DE-RS485
D10/A0.2-Q0.2	DE-RS485	A0.2-Q0.2
RE-RS485*	A0.1-Q0.1*	RE-RS485
D11/A0.1-Q0.1	RE-RS485	A0.1-Q0.1*
SDA-D2/I0.0*	SDA-D2	I0.0
SCL-D3/Q0.6*	SCL-D3	Q0.6



*I2C switch serigraphy is turned around. It should be: (SDA-D2 , SCL-D3). RX-RS485 should be RE-RS485

6. DE-RS485 – If this switch is ON, the A0.2-Q0.2 switch must be set to OFF. Being in ON mode it enables DE for the RS-485.

5. A0.2-Q0.2 – If this switch is ON, the DE-RS485 switch must be set to OFF. Being in ON mode it enables the outputs A0.2-Q0.2.

4. RE-RS485 – If this switch is ON, the A0.1-Q0.1 switch must be set to OFF. Being in ON mode it enables EE for the RS-485.

3. A0.1-Q0.1 – If this switch is ON, the RE-RS485 switch must be set to OFF. Being in ON mode it enables the outputs A0.1-Q0.1.

2. SDA-D2/I0.0 – Choosing between SDA (I2C) / Pin2 and I0.0. If this switch is ON, the I0.0 input will be enabled and the SDA / Pin3 will be disabled. If this switch is OFF, the SDA / Pin2 will be now available and I0.0 disabled.

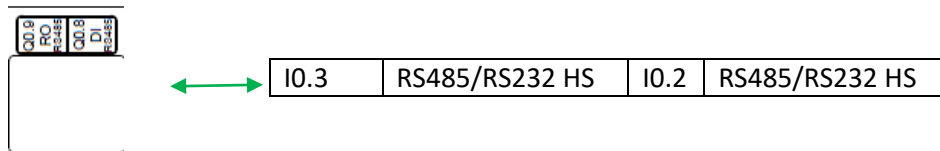
1. SCL-D3/Q0.6 – Choosing between SCL (I2C) / Pin3 and Q0.6. If this switch is ON, the Q0.6 input will be enabled and the SCL / Pin3 will be disabled. If this switch is OFF, the SCL / Pin3 will be now available and Q0.6 disabled.

TOP ZONE

TOP ZONE		
SWITCH	OFF	ON
I0.3	RS485/RS232 HS	I0.3
RS485/RS232 HS	I0.3	RS485/RS232 HS
I0.2	RS485/RS232 HS	I0.2
RS485/RS232 HS	I0.2	RS485/RS232 HS



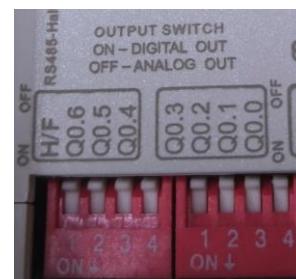
NOTE: Although in the TOP ZONE serigraphy it is shown Q0.9 & Q0.8 pins, in the reality they are I0.3 I0.2 pins respectively. Additionally although the serigraphy only is expressed for the RS485 it is also the same for the RS232. So if it is desired to enable any of the Hardware Serial connection this is the function of these switches. See chapter 8 for more information



1. I0.3: If this switch is ON, the RS485/RS232 HS switch must be set to OFF. Being in ON mode it enables I0.3.
2. RS485/RS232 HS: If this switch is ON, the I0.3 switch must be set to OFF. Being in ON mode it enables the D0 for the RS-485 or RS-232 Hardware Serial (see section 9 for jumper configuration)
3. I0.2: If this switch is ON, the RS485 switch must be set to OFF. Being in ON mode it enables I0.2.
4. RS485/RS232 HS: If this switch is ON, the I0.2 switch must be set to OFF. Being in ON mode it enables the D1 for the RS485 or RS-232 Hardware Serial (see section 9 for jumper configuration)

RIGHT ZONE SWITCH

RIGHT ZONE		
SWITCH	OFF	ON
H/F	Full Duplex	Half Duplex
Q0.6	ANALOG (A0.6)	DIGITAL (Q0.6)
Q0.5	ANALOG (A0.5)	DIGITAL (Q0.5)
Q0.4	ANALOG (A0.4)	DIGITAL (Q0.4)
Q0.3	ANALOG (A0.3)	DIGITAL (Q0.3)
Q0.2	ANALOG (A0.2)	DIGITAL (Q0.2)
Q0.1	ANALOG (A0.1)	DIGITAL (Q0.1)
Q0.0	ANALOG (A0.0)	DIGITAL (Q0.0)



RIGHT ZONE. The right zone configures the outputs. If the switch is set to “ON” the Q0.X will have the behaviour of a digital output. If it is set to “OFF” it will be analog. There is also a switch for switching between Half and Full Duplex. It is “ON” for Half Duplex and “OFF” for Full Duplex.

8.2 RS- 485 Switch configuration

TOP ZONE	
SWITCH	MODE
I0.3	OFF
RS485 HS	ON
I0.2	OFF
RS485 HS	ON

RS-485 TOP ZONE: In order to enable the RS-485 protocol the TOP ZONE must be configured as it is shown in the table.

Although the switch serigraphy is only referenced to RS-485 it is also the for the RS-232.

Having this setup, the I0.3 & I0.2 are disabled

LEFT ZONE	
SWITCH CONFIGURATION	
SWITCH	MODE
DE-RS485	ON
D10/A0.2-Q0.2	OFF
RE-RS485	ON
D11/A0.1-Q0.1	OFF
SDA-D2/I0.0	-
SCL-D3/Q0.6	-

RS-485 LEFT ZONE: In order to enable the RS-485 communication protocol it is necessary that the switches of the left zone are configured as it is showed in the table.

The ones marked with “-” mean that they don’t affect the RS-485 communication protocol

8.3 RS-232 Switch configuration

TOP ZONE	
SWITCH	MODE
I0.3	OFF
RS232 HS	ON
I0.2	OFF
RS232 HS	ON

RS-232 TOP ZONE: In order to enable the RS-232 communication protocol it is necessary that the switches of the top zone are configured as it is shown in the table.

Although the nomenclature is not referenced to the RS-232, this switches relates the hardware serial of the Arduino board.

LEFT ZONE	
SWITCH	MODE
DE-RS485	OFF
D10/A0.2-Q0.2	ON
RE-RS485	OFF
D11/A0.1-Q0.1	ON
SDA-D2/I0.0	-
SCL-D3/Q0.6	-

RS-232 LEFT ZONE: In order to enable the RS-232 communication protocol it is necessary that the switches of the left zone is configured as it is showed in the table.

The ones marked with “-” mean that it does not affect the RS-232 communication protocol

8.4 I2C Switch configuration

TOP ZONE	
SWITCH	MODE
I0.3	-
RS485/RS232 HS	-
I0.2	-
RS485/RS232 HS	-

LEFT ZONE	
SWITCH	MODE
DE-RS485	-
D10/A0.2-Q0.2	-
RE-RS485	-
D11/A0.1-Q0.1	-
SDA-D2/I0.0	OFF
SCL-D3/Q0.6	OFF

I2C: Enable SCL and SDA connections (direct Arduino pins) with configuration switches. I0.0 and Q0.6 will not be available. In order to implement this communication a 4.7k Ω pull-up resistor ([IS.AC12C-4.7K](#)) is required.

9. Jumper Configuration

General Jumper Configuration

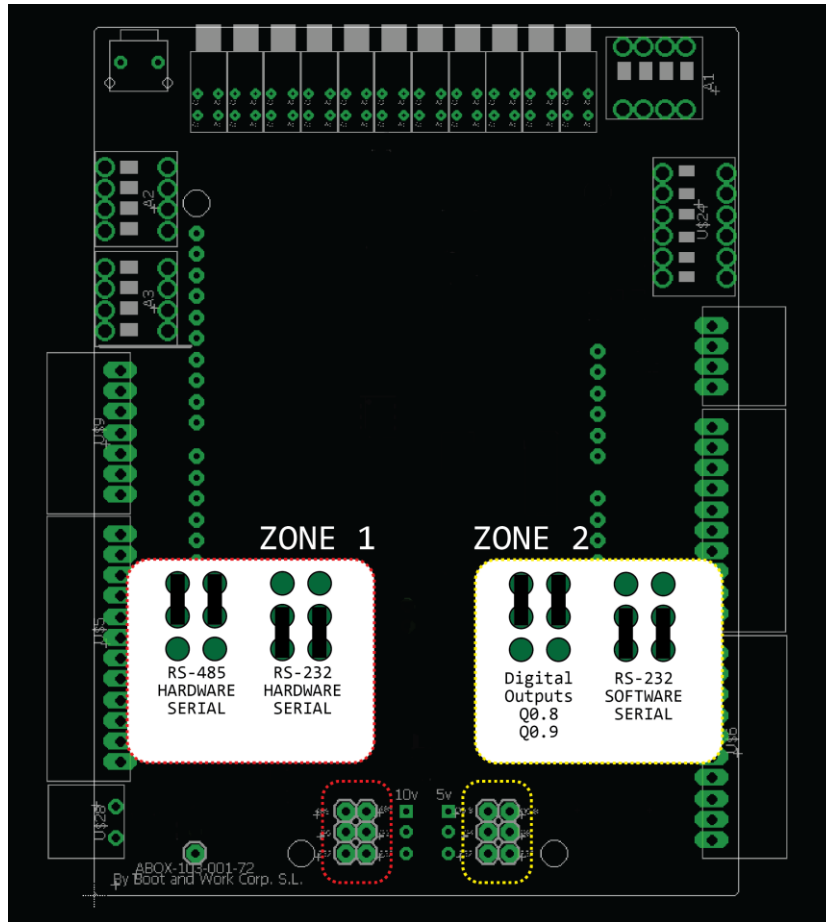
JUMPER ZONE 1	
LEFT	RIGHT
RS-485	RS-485
D0	D1
RS-232	RS-232

This jumper makes the choosing between connecting MAX232 to pins 0,1 of the Arduino Leonardo or with the MAX485. In order to use the RS-232 Hardware Serial protocol both RS-232 must be connected to the D1/D0. In order to use the RS-485 Hardware Serial protocol both RS-485 must be connected to the D1/D0.

JUMPER ZONE 2	
LEFT	RIGHT
I0.2	I0.3
D4	D8
RS-232 SS	RS-232 SS

This jumper zone makes the choosing between connecting the inputs I0.2, I0.3 to pins 4 and 8 of the Arduino Leonardo respectively, or connect the RS-232 ports to activate the Software Serial RS-232. In order to use the inputs I0.2,I0.3 the jumper must be connected to the pins 4 and 8. So I0.2 must be connected with D4 and I0.3 must be connected to D8.

*The jumpers that are not connected to the middle jumpers MUST NOT be Connected anywhere.



10. Hardware Serial RS-232 & RS-485 Configuration

10.1 Hardware Serial RS-485

In order to enable the Hardware Serial RS-485 the total configuration of the Ardbox Analog HF will be:

Switch configuration:

TOP ZONE	
SWITCH	MODE
I0.3	OFF
RS485 HS	ON
I0.2	OFF
RS485 HS	ON

LEFT ZONE	
SWITCH	MODE
DE-RS485	ON
D10/A0.2-Q0.2	OFF
RE-RS485	ON
D11/A0.1-Q0.1	OFF
SDA-D2/I0.0	-
SCL-D3/Q0.6	-

Jumper configuration:

JUMPER ZONE 1	
LEFT	RIGHT
RS-485	RS-485
D0	D1
-	-

JUMPER ZONE 2	
LEFT	RIGHT
I0.2	I0.3
D4	D8
-	-

Having configured Ardbox Analog HF as it is shown above, these are the features that are available:

- Available communication protocols:
 - Hardware Serial RS-485.
 - I2C *If I2C is active I0.0 & Q0.6 are disabled
 - SPI
 - TTL
 - USB
- Inputs: 8 out of 10 inputs, I0.0, I0.1 and I0.4 to I0.9. If using I2C I0.0 is also disabled
- Digital Outputs: All 10 outputs. If using I2C Q0.6 is disabled.
- Analog Outputs: From A0.0 to A0.6. If using I2C A0.6 is disabled

10.2 Hardware Serial RS-232

In order to enable the Hardware Serial RS-232 the total configuration of the Ardbox Relay HF will be:

Switch configuration:

TOP ZONE	
SWITCH	MODE
I0.3	OFF
RS232 HS	ON
I0.2	OFF
RS232 HS	ON

LEFT ZONE	
SWITCH	MODE
DE-RS485	OFF
D10/A0.2-Q0.2	ON
RE-RS485	OFF
D11/A0.1-Q0.1	ON
SDA-D2/I0.0	-
SCL-D3/Q0.6	-

Note: The switches of the left zone of the RS-485 don't interfere in the RS-232 HS, the thing is that as pins 0 & 1 are reserved for the RS-232, the RS-485 is totally disabled. As it is disabled, there is no point on configuring these switches as RS-485 mode

Jumper configuration:

JUMPER ZONE 1 HALF DUPLEX	
LEFT	RIGHT
-	-
D0	D1
RS-232	RS-232

JUMPER ZONE 2	
LEFT	RIGHT
I0.2	I0.3
D4	D8
-	-

- Available communication protocols:
 - Hardware Serial RS-232.
 - I2C *If I2C is active I0.0 & Q0.6 are disabled
 - SPI
 - TTL
 - USB
- Inputs: 8 out of 10 inputs, I0.0, I0.1 and I0.4 to I0.9. If using I2C I0.0 is also disabled
- Digital Outputs: All 10 outputs. If using I2C Q0.6 is disabled.
- Analog Outputs: From A0.0 to A0.6. If using I2C A0.6 is disabled

11. Ardbox - Arduino I/Os 5V pins

The Ardbox has some of the Leonardo board pins available. These pins can be programmed according to Arduino features such as I/Os operating at 5V or any additional features present in the pins (for example I2C communication in pins SCL and SDA). As this pins are directly connected to the Arduino Leonardo board they are not as well protect as the normal inputs. These pins are mainly meant to be used as prototyping.

Ardbox terminal	Arduino pin
SCL – Pin 3	3
MISO	14
SCK	15
MOSI	16

***IMPORTANT:** Do not connect the terminals in the chart above to voltages higher than 5V. These terminals provide direct access to the Leonardo board.

A part from the switch configuration there are some special conditions depending on these 5V. Now it is going to be shown the considerations to operate with these pins.

11.1 I2C pins – SDA/SCL

The I2C protocol is meant to work in a pull-up configuration. The I2C pins in the Arduino Leonardo are not pull-up, so in order to work with the I2C an external pull-up resistor is required. If it is meant to work as a GPIO at 5V, the switches must be set as I2C, (section 8).

These pins are not established with a pull-up or a pull-down configuration. The state of these pins is unknown. If these pins must be used they require a pull-up or a pull-down configuration. The Arduino board allows the pins to be set in a pull-up configuration. If not it must be established an external pull-up or pull-down circuit in order to correctly work with these pins.

11.2 Pin3

Pin3 is only referred to the input R5. If the switch configuration is in OFF position the pin Pin3 will be available.

This pin is not established with a pull-up or pull-down configuration. The state of pin 3 is unknown. If using pin3, it requires a pull-up or a pull-down configuration. The Arduino board allows pin 3 to be set in a pull-up configuration. If not it must be established an external pull-up or pull-down circuit in order to correctly work with this pin.

11.3 SPI – MISO/MOSI/SCK

These pins are used for the WiFi & BLE module.

These pins are not established with a pull-up or a pull-down configuration. The state of these pins is unknown. If these pins must be used, they require a pull-up or a pull-down configuration. The Arduino board allows the pins to be set in a pull-up configuration. If not it must be established an external pull-up or pull-down circuit in order to correctly work with these pins.

12. WiFi & BLE

The WiFi and Bluetooth integrated module consists in a single 2.4 GHz Wi-Fi and Bluetooth combo chip designed with the TSMC ultra-low-power 40 nm technology. It is designed to achieve the best power and RF performance, showing robustness, versatility and reliability in a wide variety of applications and power scenarios. Some applications are Generic Low-power IoT Sensor Hub, Generic Low-power IoT Data Loggers and Mesh Network. It is designed for Internet-of-Things (IoT) applications.

12.1 General Specifications:

Wi-Fi

- 802.11 b/g/n
- 802.11 n (2.4 GHz), up to 150 Mbps

Bluetooth

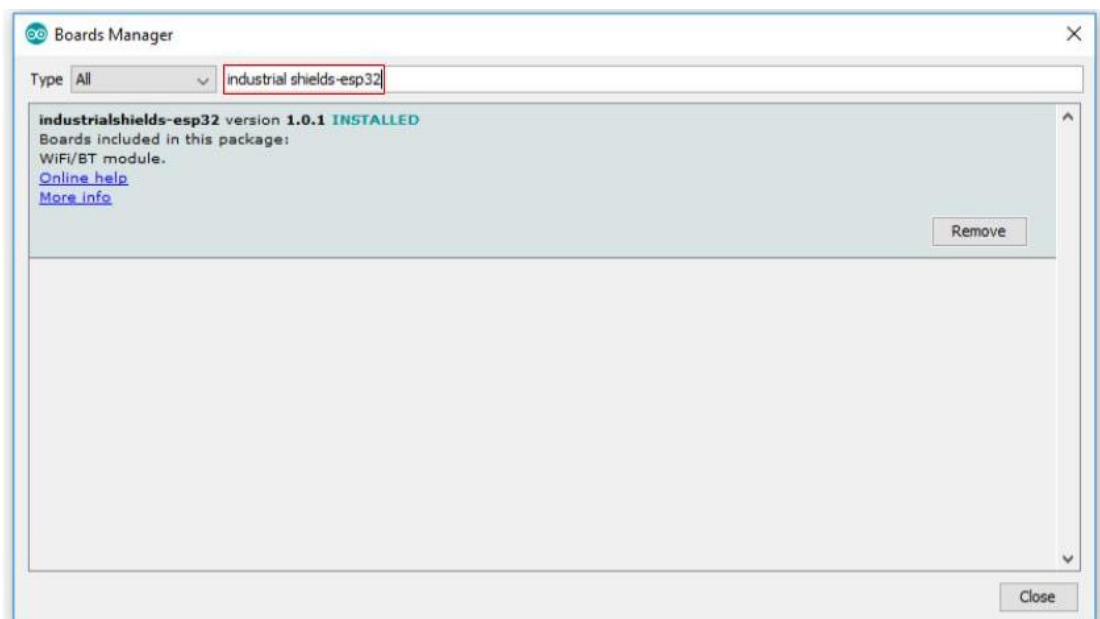
- Bluetooth 4.2 BR/EDR BLE dual mode controller
- +12 dBm transmitting power
- NZIF receiver with -97 dBm BLE sensitivity

12.2 WiFi & Bluetooth Module Configuration

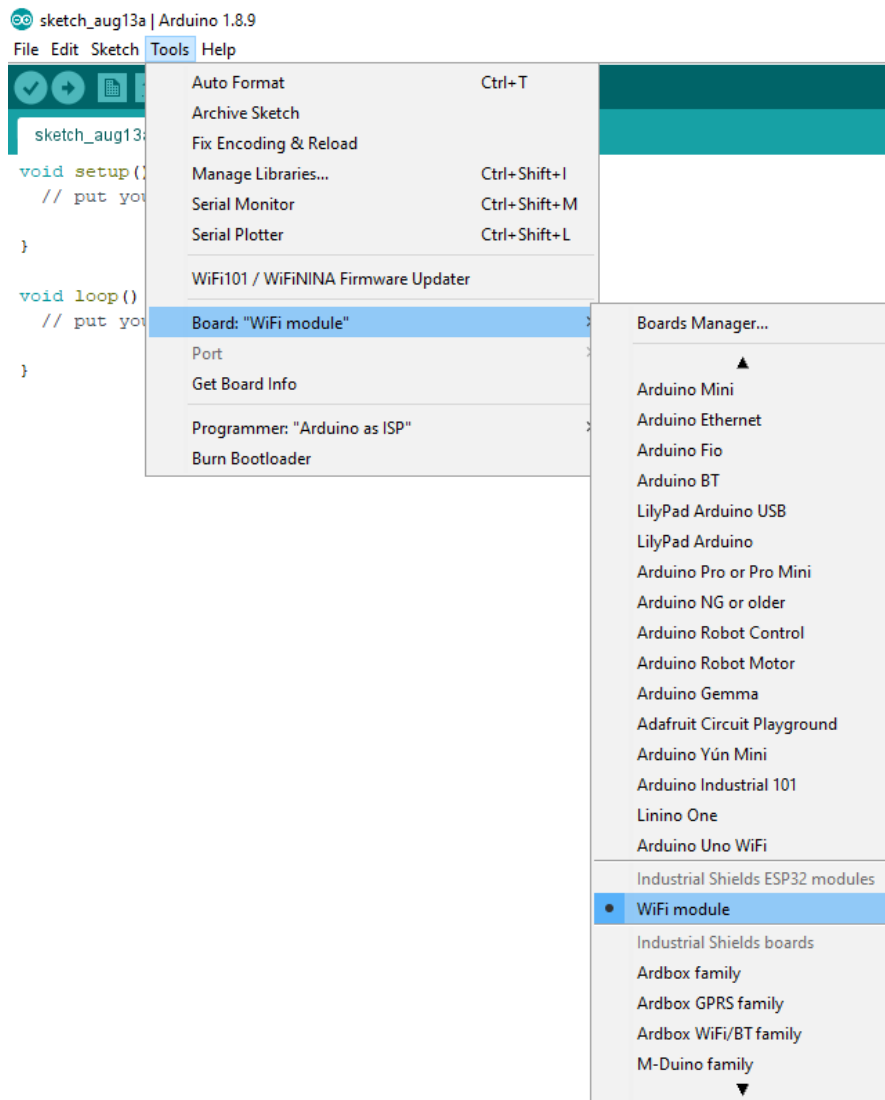
In order to configure the WiFi & BLE module, you must connect it to a PC. To connect it you will need a micro USB to USB cable.

The slot for the micro USB input is located on the right side of your equipment.

To load the program into the ESP32 you have to use the appropriate board. For that, update our board to the latest version. Go to *Tools* -> *Board* -> *Boards Manager*. Search by **Industrial shields-esp32**.



Now you are able to install the board. Go to *Tools* > *Boards* -> *WiFi module*.



The internal connections between the ESP32 module and the Arduino Leonardo are the following:

Ardbox Relay 20 I/Os WiFi & BLE Modbus	ESP32 Pinout
5Vdc	Vcc
GND	GND
Tx1	TxD
Rx1	RxD

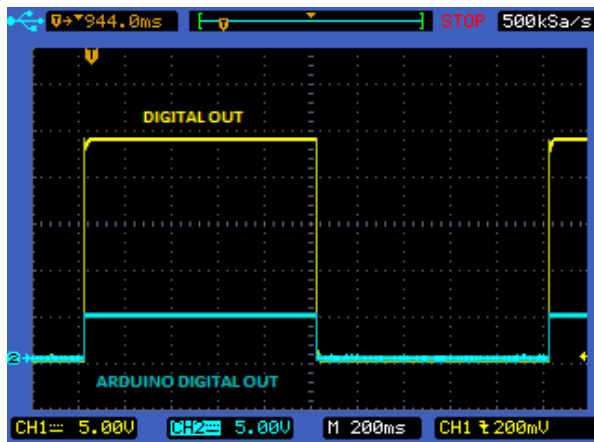
WiFi and Bluetooth are always enabled as there are no switches that configure it.

The WiFi and Bluetooth module uses Serial2 for communication.

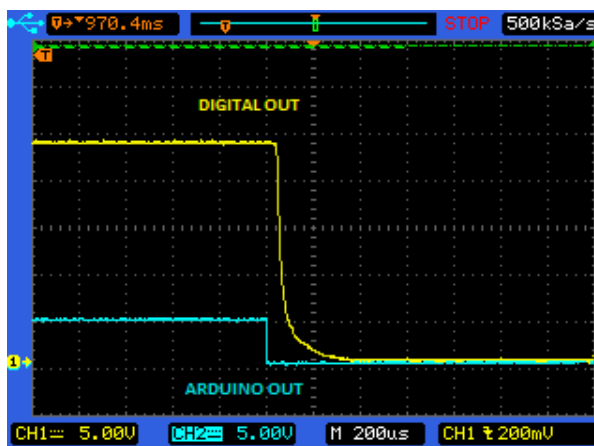
More information: <https://www.industrialshields.com/blog/industrial-shields-blog-1/post/wifi-bluetooth-module-esp32-devkit-v1-133>

13. I/O technical details

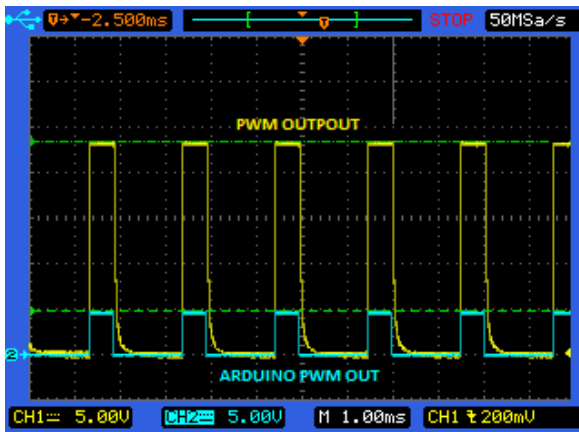
Digital Output Waveform



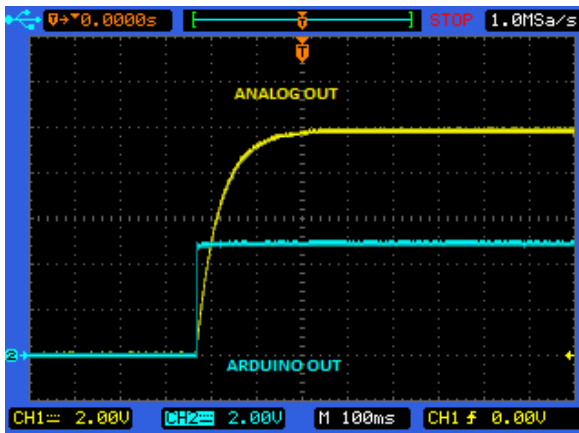
Digital Output Turn-off



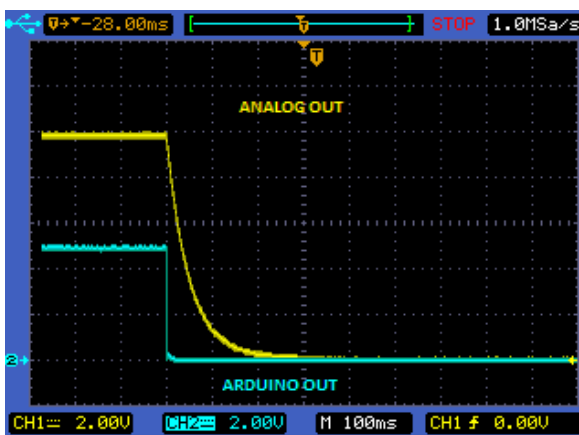
PWM Waveform



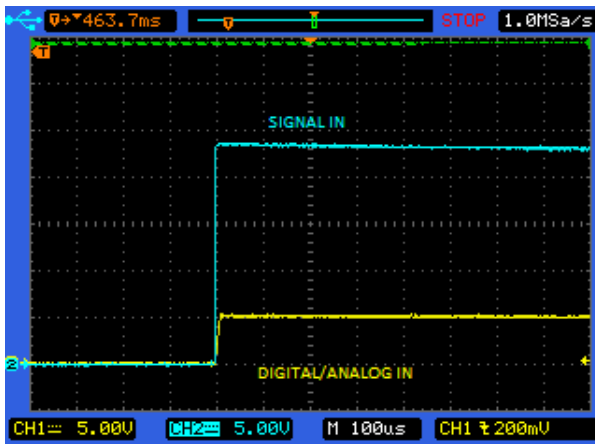
Analog Out Turn-on



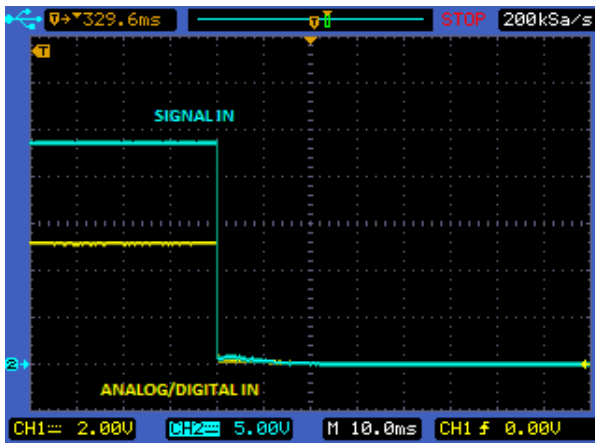
Analog Out Turn-off



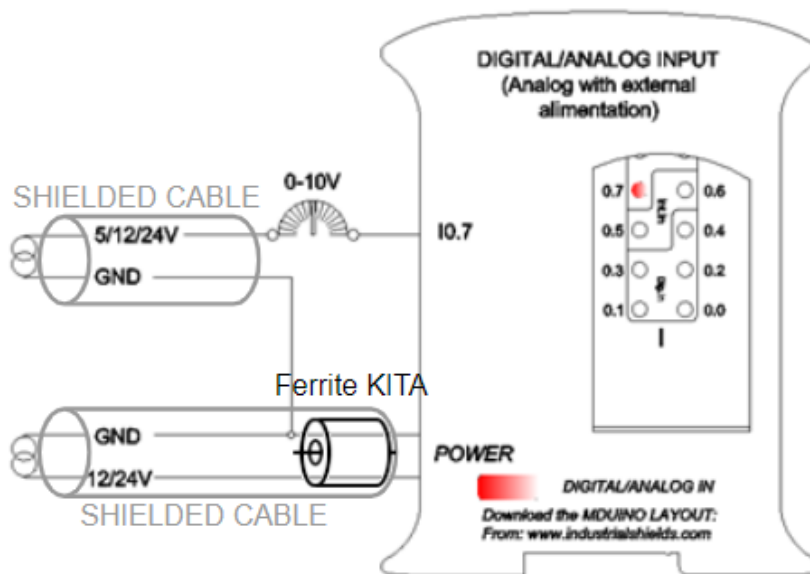
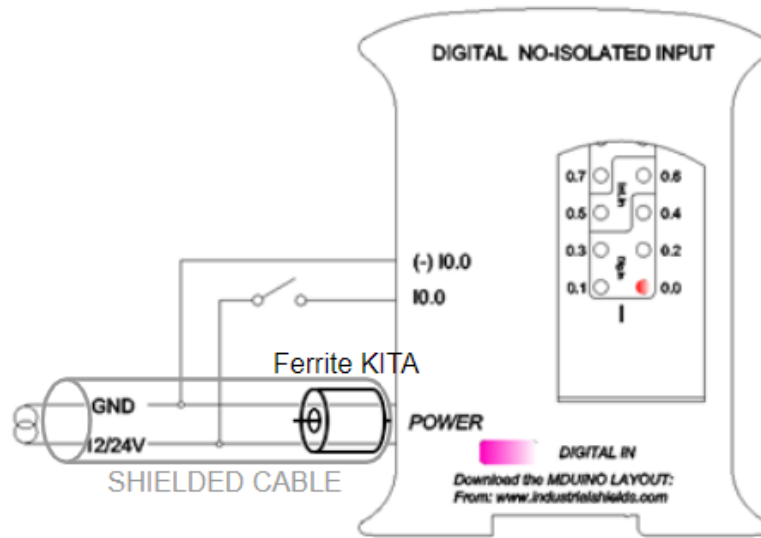
Analog/Digital Input Turn-on

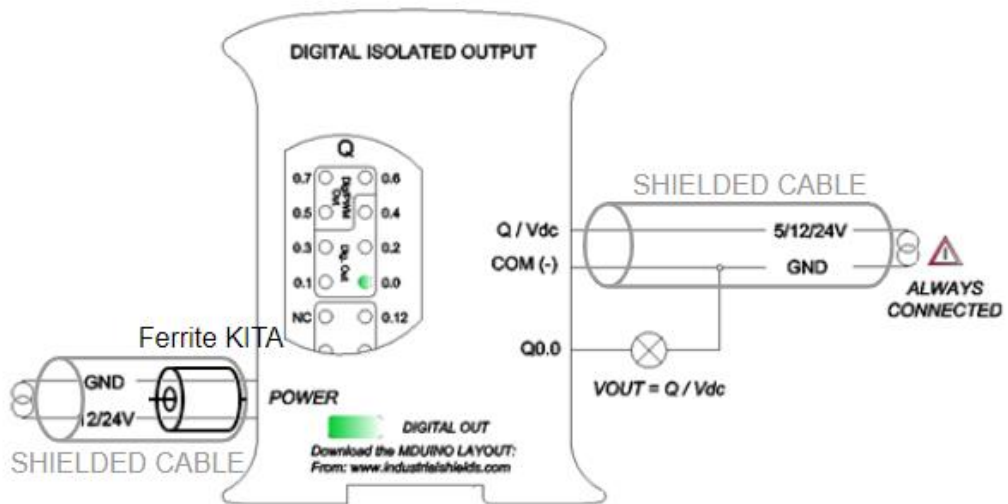
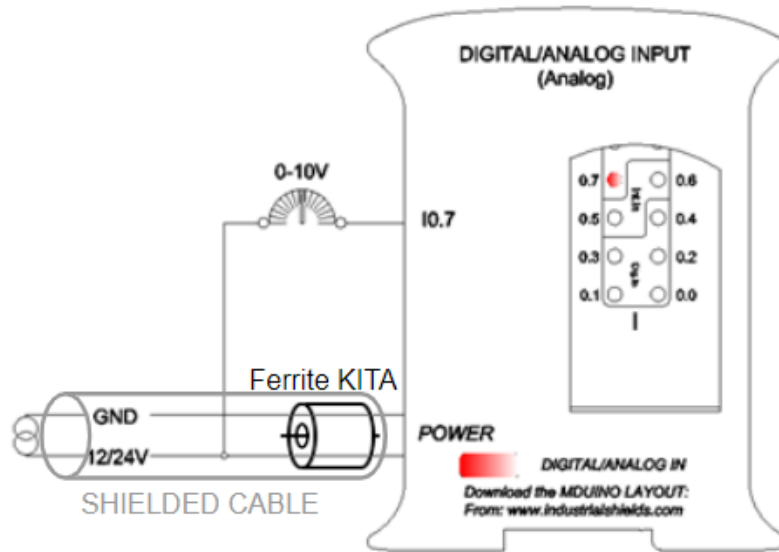


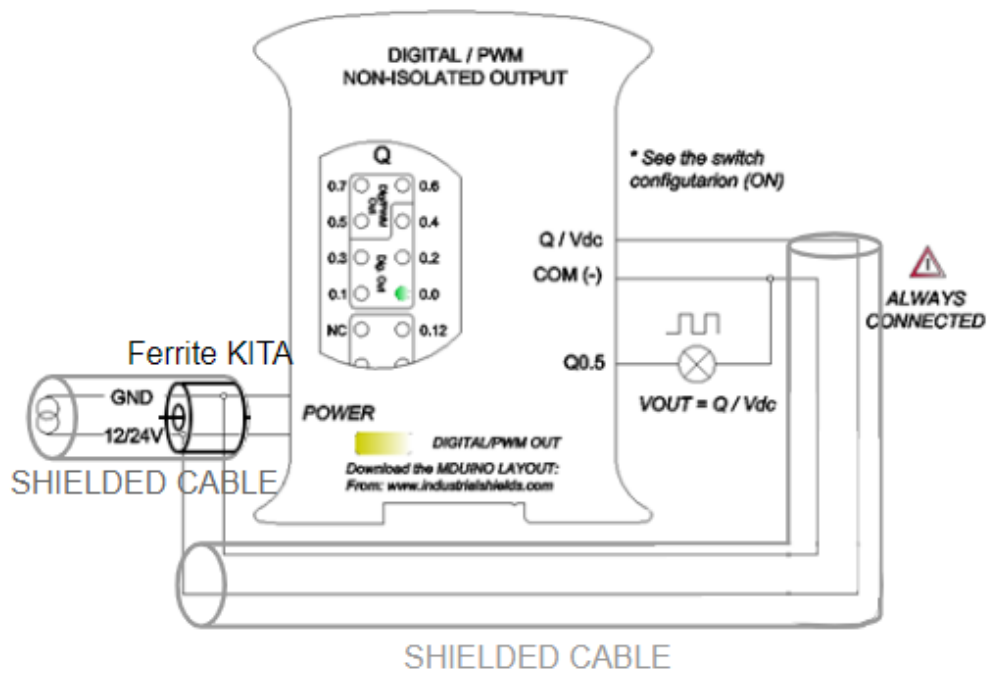
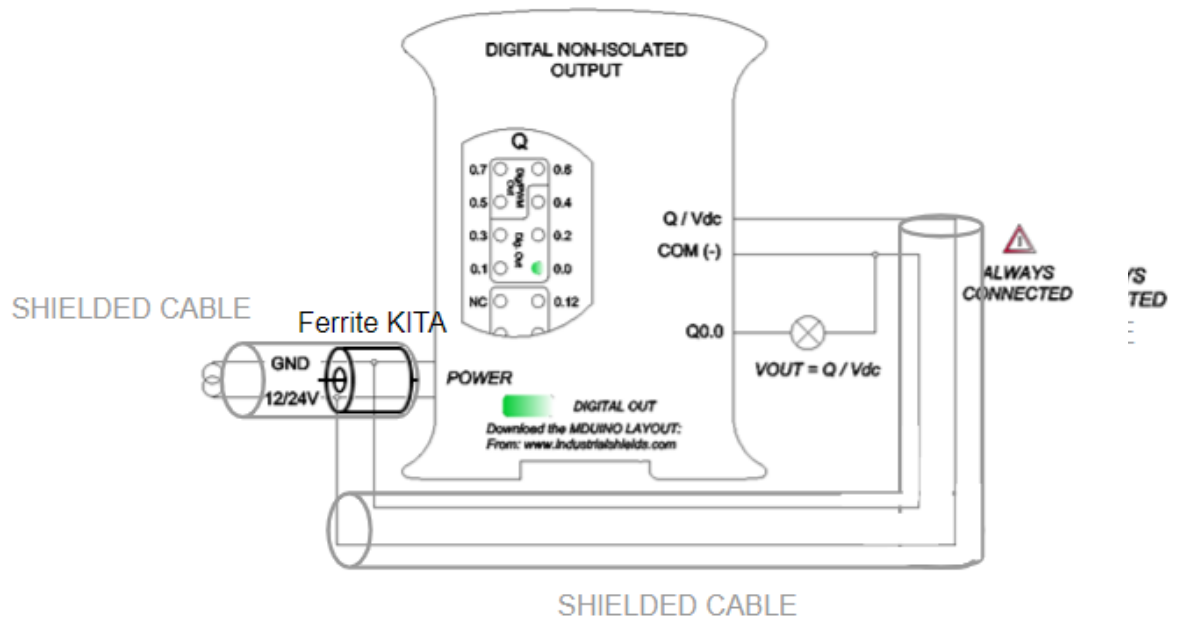
Analog/Digital Input Turn-off

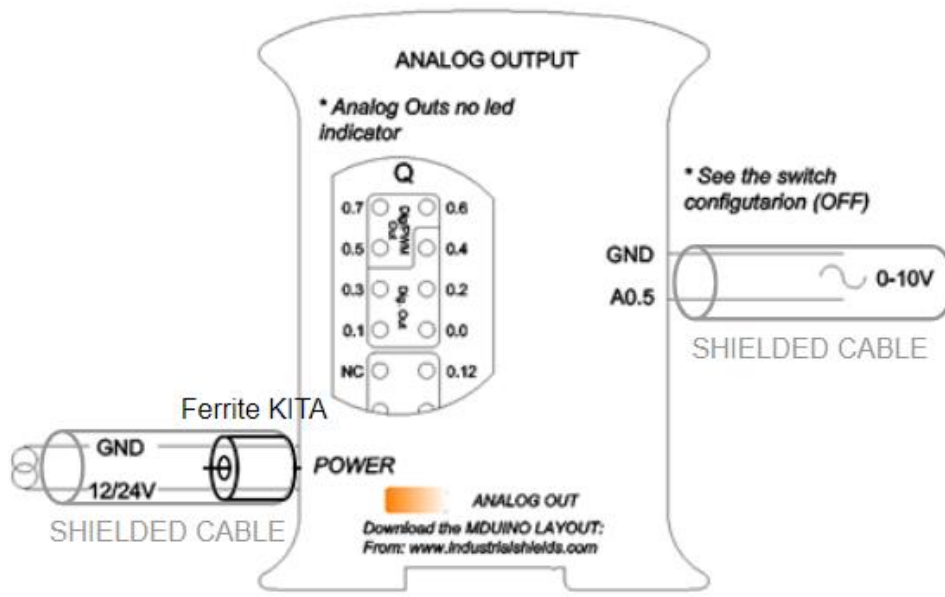


14. Typical Connections









15. Connector details

The connector inside the PLCs that mounts on the PCB is MC 0,5/10-G-2,5 THT – 1963502 from Phoenix contact. MC0,5/10-G-2,5THT

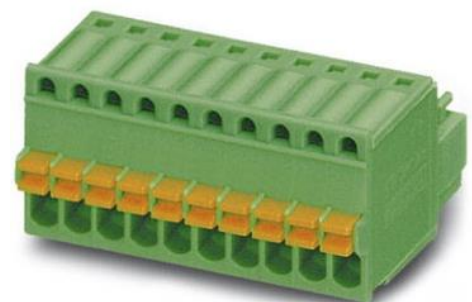
For I/O and power supply there is a FK-MC 0,5/10-ST-2,5 - 1881406 connector from Phoenix contact. FK-MC 0,5/10-ST-2,5

Connection details:

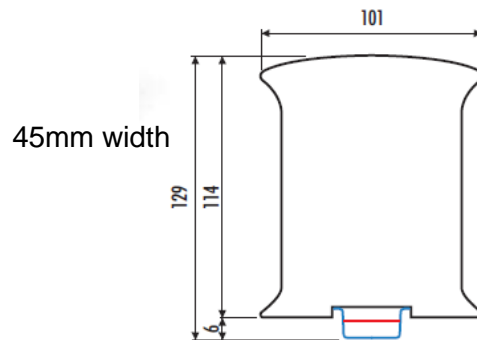
Article reference	MC 0,5/10-G-2,5 THT
Height	8,1mm
Pitch	2,5mm
Dimension	22,5mm
Pin dimensions	0,8x0,8mm
Pin spacing	2,50mm



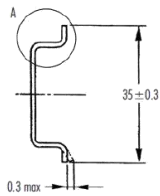
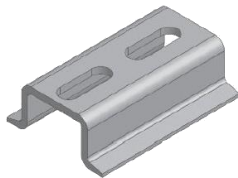
Article reference	FK-MC 0,5/10-ST-2,5
Rigid conduit section min.	0,14 mm ²
Rigid conduit section max.	0,5 mm ²
Flexible conduit section min.	0,14 mm ²
Flexible conduit section max.	0,5 mm ²
Conduit section AWG/kcmil min.	26
Conduit section AWG/kcmil max.	20



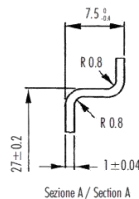
16. ARDBOX Family Dimensions:



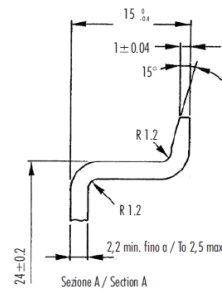
- DIN rail mounting:



Profilato a cappello TH 35-7,5
Top hat rail TH 35-7,5



Profilato a cappello TH 35-15
Top hat rail TH 35-15



CARATTERISTICHE	METODO	UNITA' DI MISURA	BLENDE PC/ABS
Meccaniche	Resistenza a trazione allo spezzamento	ASTM D638	MPa 68
	Resistenza a trazione a rottura	ASTM D638	MPa 48
	Allungamento a rottura	ASTM D638	% 59
	Modulo di flessione	ASTM D790	MPa 2694
Termiche	Flame test con intaglio	ISO 180/14	kJ/m ² 5.5
	Temp. di ricambio Visc. metodo B	ASTM D1525	°C 114
Fisiche	Temperatura Ricetto 1.81 MPa	ASTM D448	°C 97
	Ricat. specific	ASTM D792	g/cm ³ 1.21
	Ricat. nella stampa	ASTM D955	% 0.4/0.6
	Melt Flow Index 240°C - 99N	ASTM D1238	g/10' 11.1
Comportamento alla fiamma	Autosostegno (min. di spessore)	UL94	V-0 (0.8)
	Filo Incondenscat. 3.2 mm	IE695.2.1	°C 960

Italtronic si riserva il diritto di modificare il materiale con cui realizza i propri prodotti senza obbligo di preavviso.

FEATURES	TEST METHOD	UNITS	BLENDE PC/ABS
Mechanical test	Resistance to tensile stress at yield	ASTM D638	MPa 68
	Tensile strength	ASTM D638	MPa 48
	Ultimate elongation	ASTM D638	% 59
	Flexing modulus	ASTM D790	MPa 2694
Thermal test	Load test notched	ISO 180/14	kJ/m ² 5.5
	Visc softening temperature method B	ASTM D1525	°C 114
Physical test	Softening temperature 1.81 MPa	ASTM D448	°C 97
	Specific gravity	ASTM D792	g/cm ³ 1.21
	Mold shrinkage	ASTM D955	% 0.4/0.6
	Melt Flow Index 240°C - 99N	ASTM D1238	g/10' 11.1
Flame test	Self extinguish (thickness in mm)	UL94	V-0 (0.8)
	Incondenscat threaded 3.2 mm	IE695.2.1	°C 960

Italtronic can operate any change of the materials without being obliged to forewarn.

17. Installation and Maintenance

Notes for installation:

- The installation position should be free from the following: dust or oil smoke, conductive dust, corrosive or flammable gas, high temperature, condensation, and rain.
- Besides, vibration and impact also affect the PLC normal operation and shorten its lifespan; electric shock, fire or misact also damages the product. During drilling or wiring, prevent the metal particles or wire segments from falling into the PLC casing, which may cause fire, fault or misact.
- After the PLC installation, clean the ventilation duct to prevent blocking, which may cause bad ventilation, or even fire, faults or misact.
- Do not online connect, plug or unplug cables, which is apt to cause electric shock or damage the circuit. Installation and wire connection must be firm and reliable. Poor connection could cause misact.
- Use shielded twisted pair for the I/O of high frequency signal and analog signal to improve system IMS.

The installation environment should be free from dust, oil smoke, conductive particle, corrosive or flammable gases, high temperature, condensation, and rain.

Besides, vibration and impact also affect the PLC normal operation and shorten its lifespan. It is recommended to install the PLC, together with the matching switches and contactors, in a dedicated electric cabinet and keep the cabinet ventilated. If the location has high ambient temperature or heat generating equipment nearby, install forced convection devices on top or sides of the cabinet to avoid over-temperature. During drilling or wiring, prevent the metal particles or wire segments from falling into the PLC casing, which may cause fire, fault or misact. After the PLC installation, clean the ventilation duct to prevent blocking, which may cause bad ventilation, or even fire, faults or misact.

The only way to disconnect the equipment from the electrical network is by removing the connectors that feed the equipment. Once installed in the electrical cabinet it is very important to ensure the power connectors for proper operation.

Separate the ARDBOX 20 I/Os Analog HF WIFI & BLE I/Os PLUS from heat, high voltage and electrical noise:

Always separate the devices that generate high voltage and high electrical noise from the ARDBOX 20 I/Os Analog HF WIFI & BLE. When configuring the layout of the ARDBOX 20 I/Os Analog HF WIFI & BLE inside your panel, consider the heat-generating devices and locate the electronic-type devices in the cooler areas of your cabinet. Reducing the exposure to a high-temperature environment will extend the operating life of any electronic device. Consider also the routing of the wiring for the devices in the electric cabinet. Avoid placing low-voltage signal wires and communications cables in the same tray with AC power wiring and highenergy, rapidly-switched DC wiring.

Provide adequate clearance for cooling and wiring ARDBOX 20 I/Os Analog HF WIFI & BLE. Is designed for natural convection cooling. For proper cooling, you must provide a clearance of at least 25 mm above and below the devices. Also, allow at least 25 mm of depth between the front of the modules and the inside of the enclosure.

Notes for maintenance:

A well-planned and executed maintenance program is essential to the satisfactory operation of solid-state electrical equipment. The kind and frequency of the maintenance operation will vary with the kind and complexity of the equipment as well as with the nature of the operating conditions. Maintenance recommendations of the manufacturer or appropriate product standards should be followed.

The following factors should be considered when formulating a maintenance program:

- Maintenance must be performed by qualified personnel familiar with the construction, operation, and hazards involved with the control.
- Maintenance should be performed with the control out of operation and disconnected from all sources of power.
- Care should be taken when servicing electrostatic sensitive components. The manufacturer's recommendations for these components should be followed.
- Ventilation passages should be kept open. If the equipment depends upon auxiliary cooling, e.g., air, water, or oil, periodic inspection (with filter replacement when necessary) should be made of these systems.
- The means employed for grounding or insulating the equipment from ground should be checked to assure its integrity.
- Accumulations of dust and dirt on all parts, including on semiconductor heat sinks, should be removed according to the manufacturer's instructions, if provided; otherwise, the manufacturer should be consulted. Care must be taken to avoid damaging any delicate components and to avoid displacing dust, dirt, or debris in a way that permits it to enter or settle into parts of the control equipment.
- Enclosures should be inspected for evidence of deterioration. Accumulated dust and dirt should be removed from the top of the enclosures before opening doors or removing covers.
- Certain hazardous materials removed as part of maintenance or repair procedure (e.g., polychlorinated biphenyls (PCBs) found in some liquidfilled capacitors) must be disposed of as described in Federal regulations.

Safety rules for maintenance personnel

Consider the following steps to follow. A false manoeuvre could be the cause of an accident or material damage.

Do not disassemble or modify the modules. This could lead to breakdowns or malfunctions and could lead to injuries or fire.

- All types of radio communication devices, including mobile phones and personal handy-phone systems (PHS), must be kept more than **25cm** away from the PLC in all directions. Failure to observe this precaution exposes malfunctions caused by excess of temperature.
- Disconnect the external power supply of the system (on all phases) before connecting or disconnecting a module. Failure to observe this precaution may cause faults or malfunctions of the module.

- Tighten the screws of the terminal ports and the screws of the connectors within the prescribed tightening torque. Insufficient tightening can lead to loose parts or wires and cause malfunctions. Excessive tightening can damage the screws and / or the module, with the risk of falling, short circuits and malfunctions.
- Before handling a module, dispose of the electrostatic charge accumulated by the human body by touching a suitable conductive object. Failure to observe this precaution may cause faults or malfunctions of the module.

Repair note:

If the equipment is suitable to be repaired, it must be verified that the equipment remains in a safe state after repair.

18. Revision Table

Revision Number	Date	Changes
0	30 / 08 / 2019	It was first implemented

About Industrial Shields:

Direction: Fàbrica del Pont, 1-11

Zip/Postal Code: 08272

City: Sant Fruitós de Bages (Barcelona)

Country: Spain

Telephone: (+34) 938 760 191 / (+34) 635 693 611

Mail: industrialshields@industrialshields.com