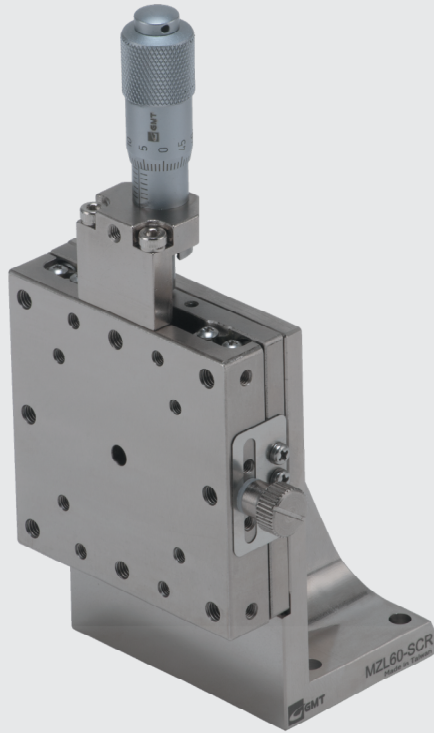


MZL60-SCR



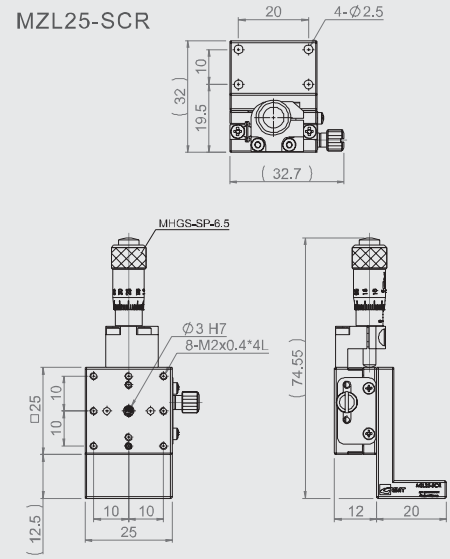
Specification

Unit: mm

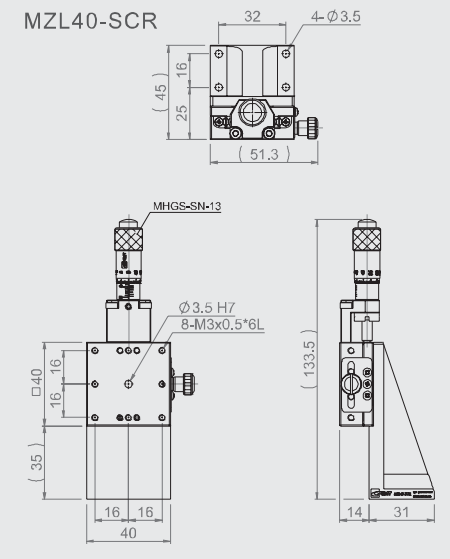
Model no.	Table size	Travel Distance	Micrometer minimum reading	移動精度			Allowable Loading (kgf)	Weight (kg)	Material	Surface finish
				真直度	Pitching	Yawing				
MZL25-SCR	25*25	±3.2	10 μm	3 μm	30"	25"	1.0	0.23	SUS 440C	Electroless nickel plating
MZL40-SCR	40*40	±6.5			25"	15"	5.0	0.32		
MZL60-SCR	60*60	±12.5						0.58		
MZL80-SCR	80*80							1.2		

★ Brackets for Z-axis, refer to P.231 ~ P.232

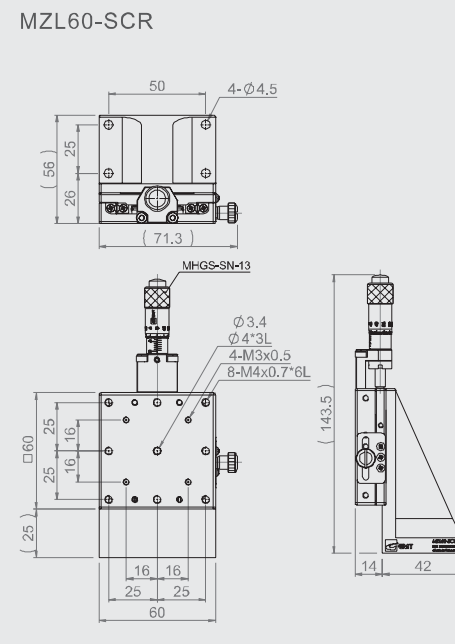
MZL25-SCR



MZL40-SCR



MZL60-SCR



MZL80-SCR

