

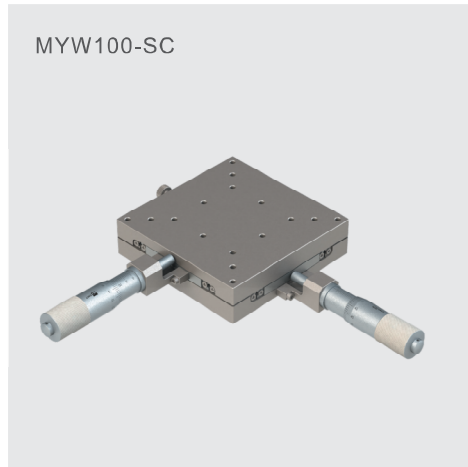
MYW40-SC



MYW60-SC



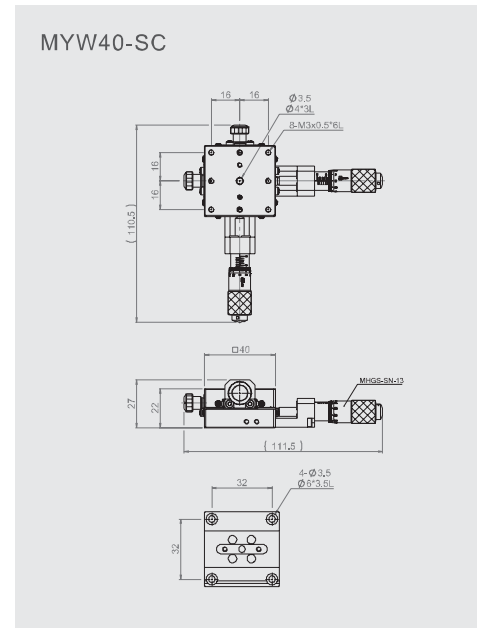
MYW80-SC



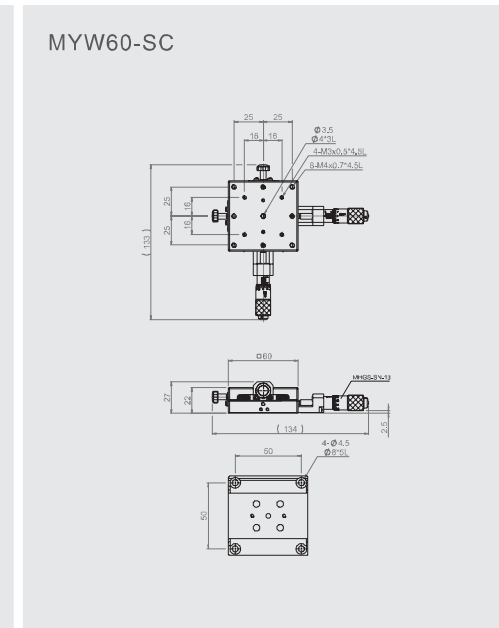
MYW100-SC

Specification										
Model no.	Table size	Axis	Feed position	Travel stroke	Micrometer minimum reading	Straightness accuracy	Allowable Loading (kgf)	Weight (kg)	Material	Surface finish
MYW40-SC	40*40	XY-axis	Central	±6.5	10μm	3μm	9	0.34	SUS 440C	Electroless nickel plating
MYW60-SC	60*60						19	0.64		
MYW80-SC	80*80			20			1.32			
MYW100-SC	100*100			25			2			
				±12.5						

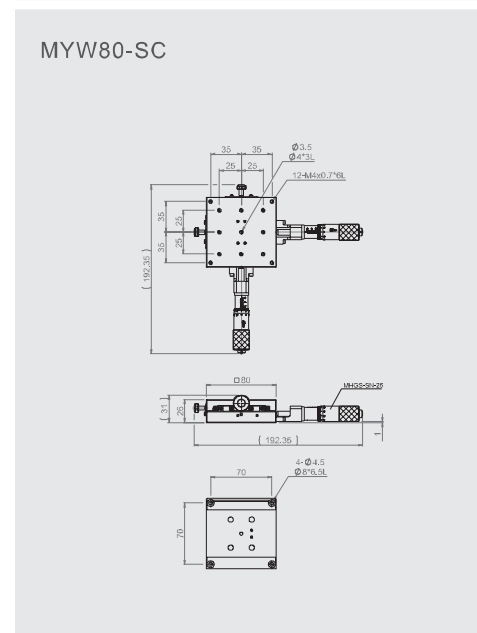
Unit: mm



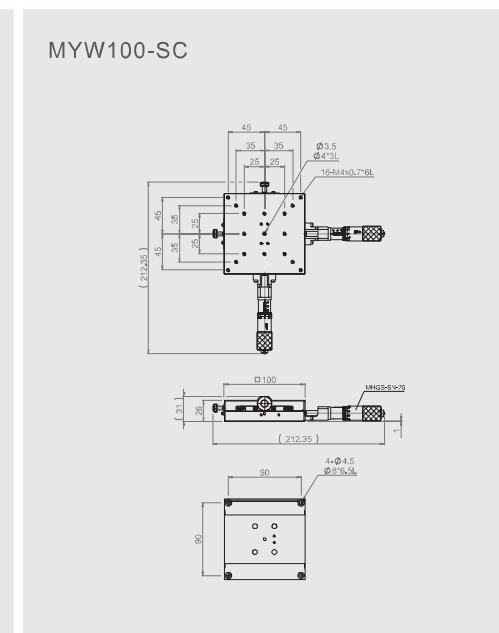
MYW40-SC



MYW60-SC



MYW80-SC



MYW100-SC