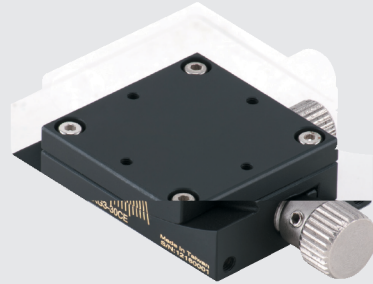
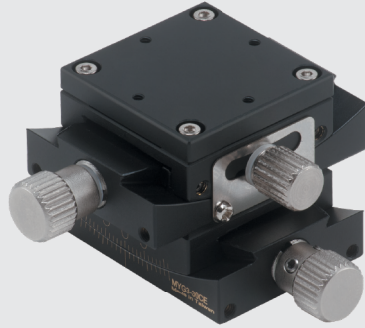


MXG3-30CE

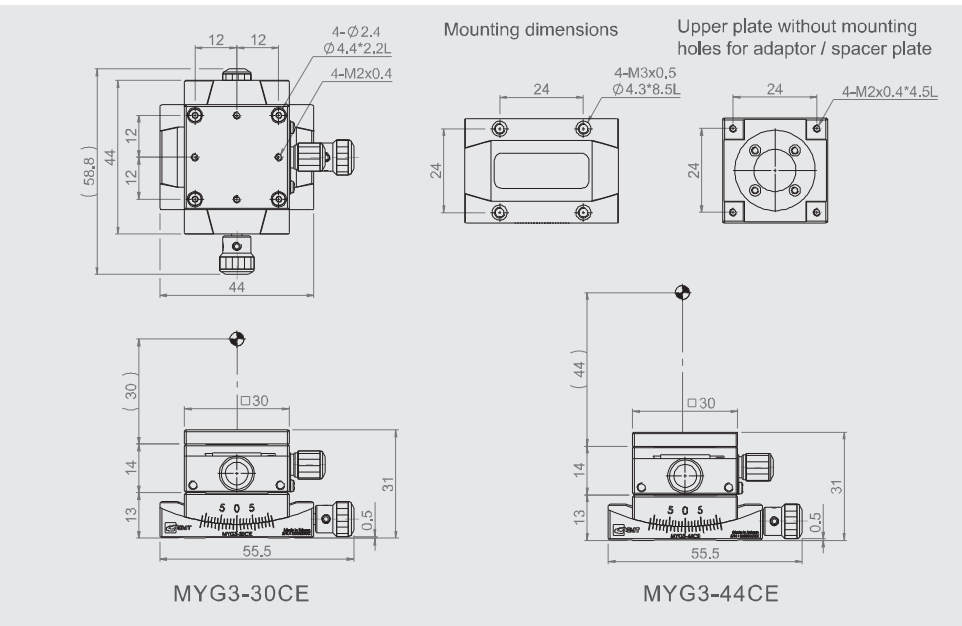
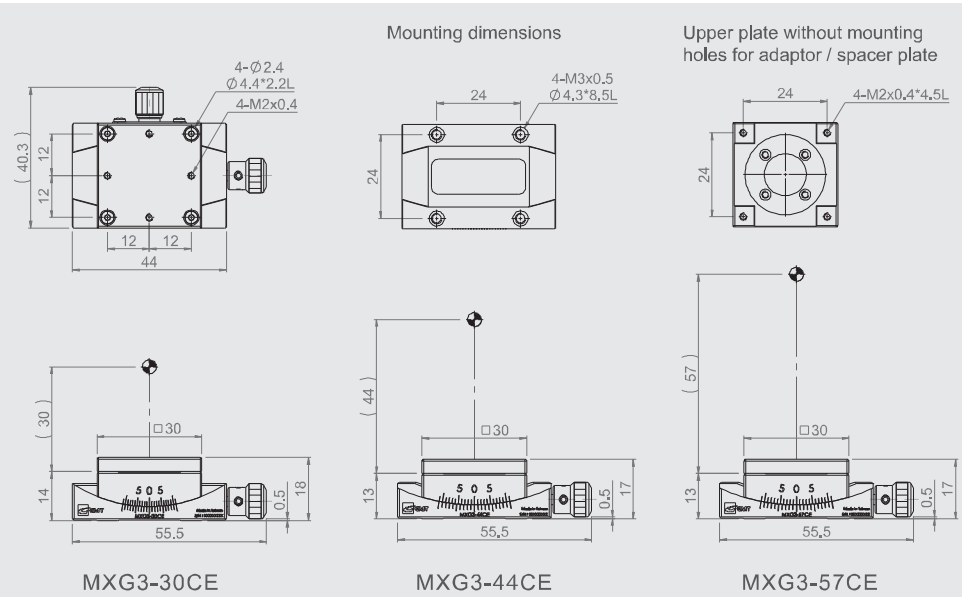


MYG3-30CE



Specification										
Model no.	Table size	Axis	Height of rotation center	Travel stroke	Minimum reading	Stroke per revolution	Allowable Loading (kgf)	Weight kg	Material	Surface finish
MXG3-30CE	30*30	α	30	$\pm 8^\circ$	1°/ Vernier	$\approx 44'39''$	1.5	0.1	Brass Alloy	Black fluororesin
MXG3-44CE			44	$\pm 6^\circ$		$\approx 33'23''$				
MXG3-57CE			57	$\pm 5^\circ$		$\approx 26'39''$				
MYG3-30CE		$\alpha\beta$	30	Upper axis $\pm 8^\circ$ Lower axis $\pm 6^\circ$		Upper axis $\approx 44'39''$ Lower axis $\approx 33'23''$				
MYG3-44CE			44	Upper axis $\pm 6^\circ$ Lower axis $\pm 5^\circ$		Upper axis $\approx 33'23''$ Lower axis $\approx 26'39''$				

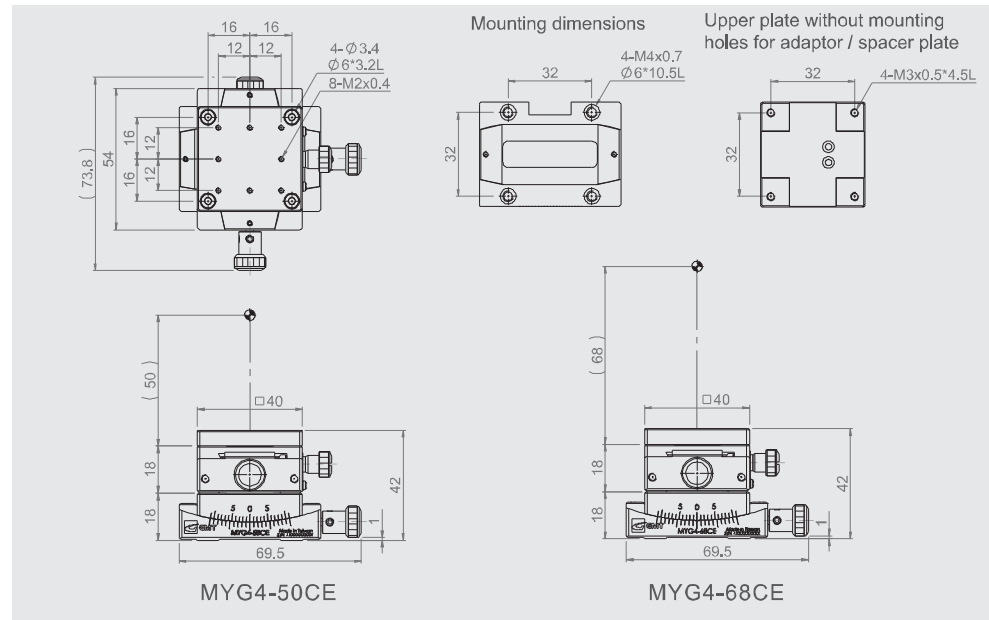
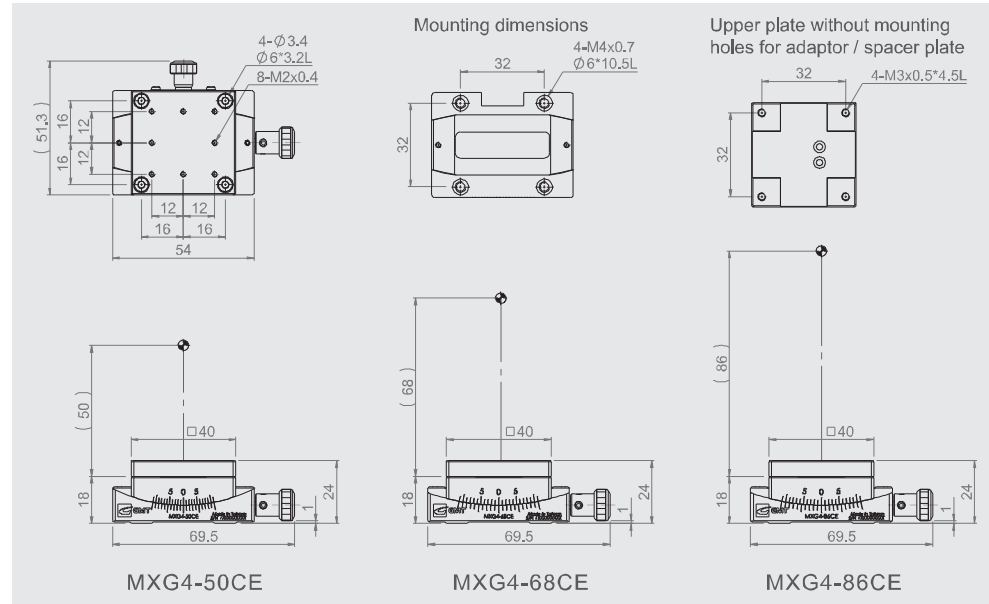
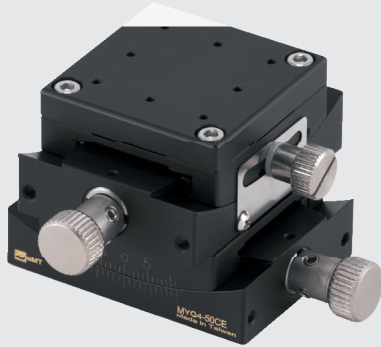
Unit: mm



MXG4-50CE



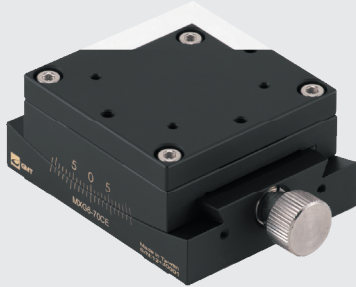
MYG4-50CE



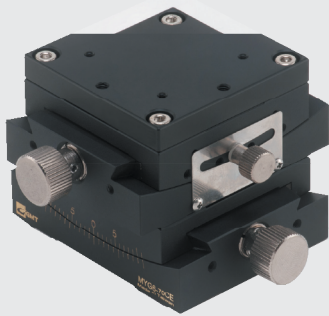
Specification										
Model no.	Table size	Axis	Height of rotation center	Travel stroke	Minimum reading	Stroke per revolution	Allowable Loading (kgf)	Weight kg	Material	Surface finish
MXG4-50CE	40*40	α	50	$\pm 8^\circ$	1°/ Vernier	$\approx 28'11''$	3	0,3	Brass Alloy	Black fluororesin
MXG4-68CE			68	$\pm 6^\circ$		$\approx 21'45''$				
MXG4-86CE			86	$\pm 5^\circ$		$\approx 17'43''$				
MYG4-50CE		$\alpha\beta$	50	Upper axis $\pm 8^\circ$ Lower axis $\pm 6^\circ$		Upper axis $\approx 28'11''$ Lower axis $\approx 21'45''$				
MYG4-68CE			68	Upper axis $\pm 6^\circ$ Lower axis $\pm 5^\circ$		Upper axis $\approx 21'45''$ Lower axis $\approx 17'43''$				

Unit: mm

MXG6-70CE



MYG6-70CE



Specification										
Model no.	Table size	Axis	Height of rotation center	Travel stroke	Minimum reading	Stroke per revolution	Allowable Loading (kgf)	Weight kg	Material	Surface finish
MXG6-70CE	60*60	α	70	$\pm 8^\circ$	1°/ Vernier	= 19'59"	5	0.7	Brass Alloy	Black fluororesin
MXG6-96CE			96	$\pm 6^\circ$		= 15'21"				
MXG6-122CE			122	$\pm 5^\circ$		= 12'27"				
MYG6-70CE	60*60	$\alpha\beta$	70	Upper axis $\pm 8^\circ$ Lower axis $\pm 6^\circ$		Upper axis = 19'59" Lower axis = 15'21"		1.4		
MYG6-96CE			96	Upper axis $\pm 6^\circ$ Lower axis $\pm 5^\circ$		Upper axis = 15'21" Lower axis = 12'27"				

Unit: mm

