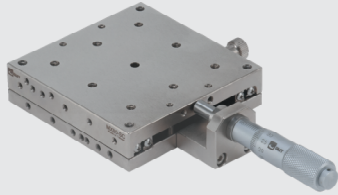
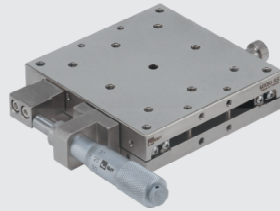


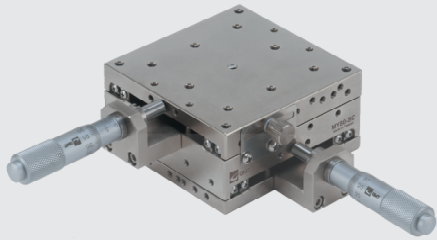
MX80-SC



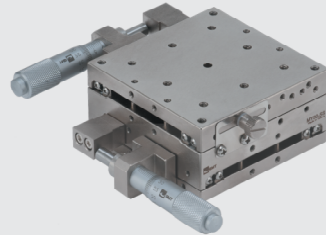
MX80-SS



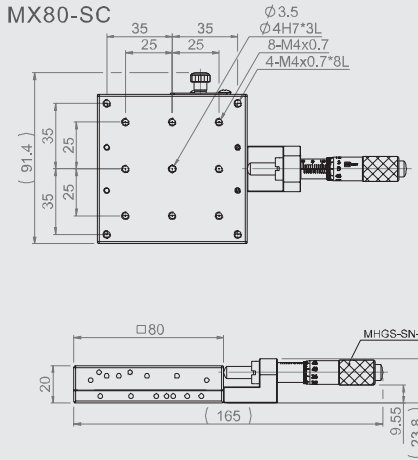
MY80-SC



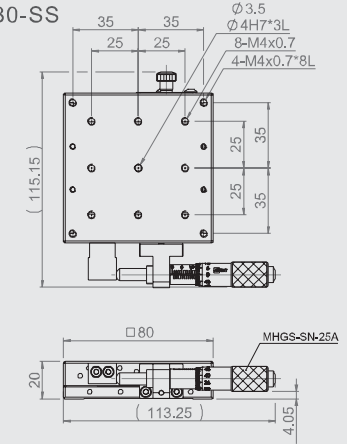
MY80-SS



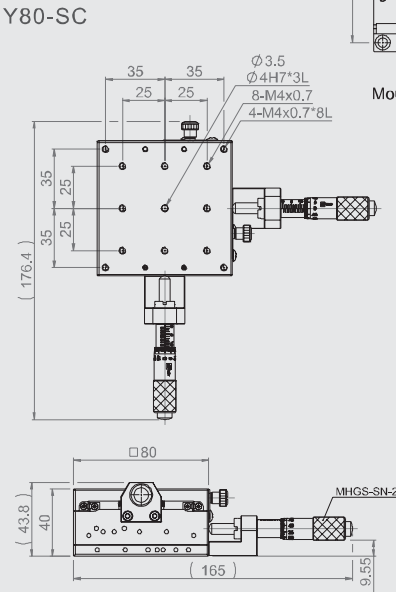
MX80-SC



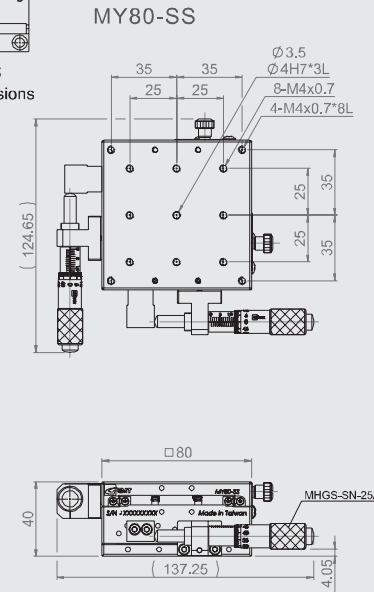
MX80-SS



MY80-SC



MY80-SS



Specification

Unit: mm

Model no.	Table size	Axis	Feed position	Travel stroke	Micrometer minimum reading	Straightness accuracy	Allowable Loading (kgf)	Weight (kg)	Material	Surface finish
MX80-SC	80*80	X-axis	Central	±12.5	10µm	3µm	27	0.9	SUS 440C	Electroless nickel plating
MX80-SS			Side							
MY80-SC		XY-axis	Central				26.1	1.8		
MY80-SS			Side							