



MX80-SC-28



MX80-SS-28

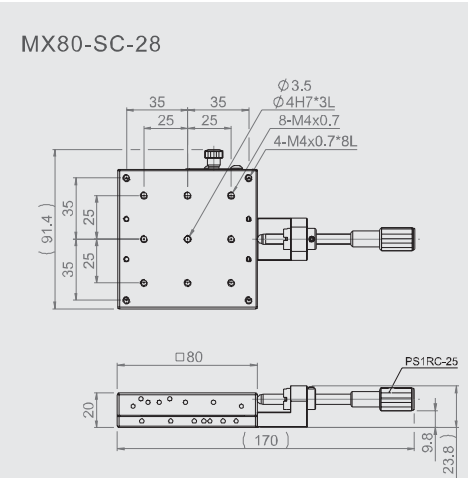


MY80-SC-28

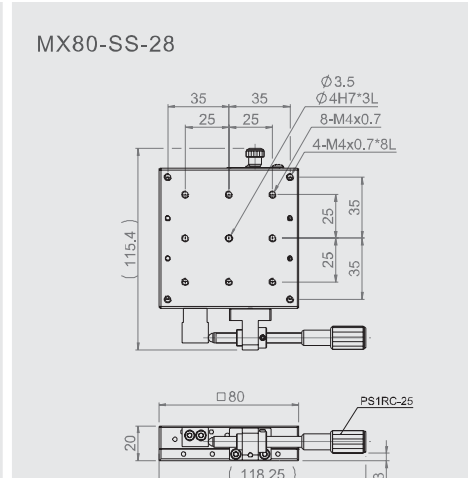


MY80-SS-28

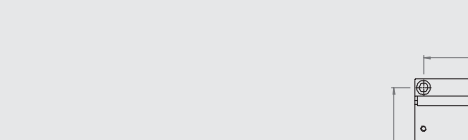
Specification												
Model no.	Table size	Axis	Feed position	Travel stroke	Movement per knob rotation	Straightness accuracy	Allowable Loading (kgf)	Weight (kg)	Material	Surface finish	Unit: mm	
MX80-SC-28	80*80	X-axis	Central	±12.5	0.5mm	3μm	27	0.9	SUS 440C	Electroless nickel plating		
MX80-SS-28			Side									
MY80-SC-28		XY-axis	Central				26.1	1.8				
MY80-SS-28			Side									



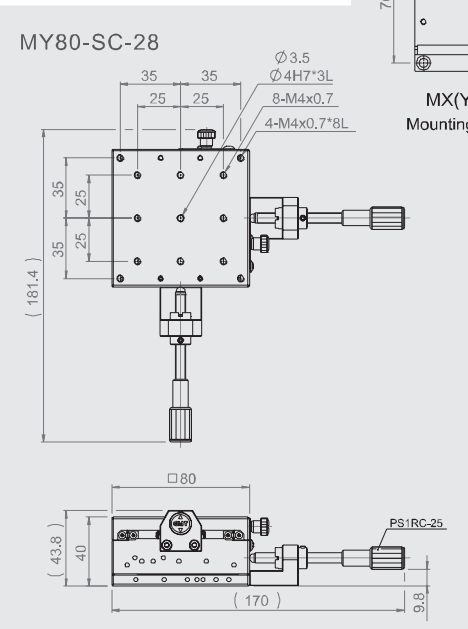
MX80-SC-28



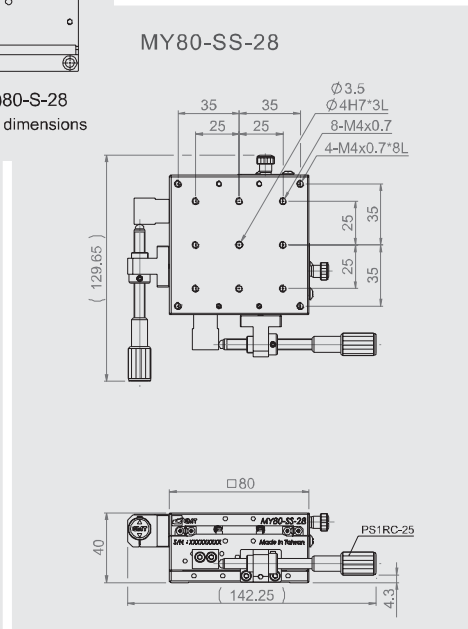
MX80-SS-28



MX(Y)80-S-28
Mounting dimensions



MY80-SC-28



MY80-SS-28