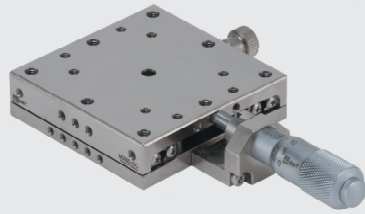
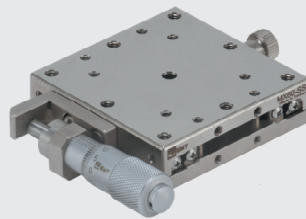


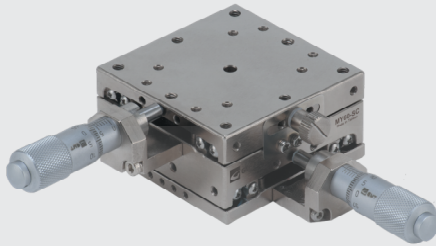
MX60-SC



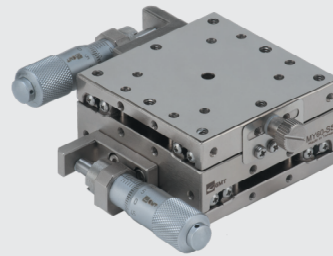
MX60-SS



MY60-SC



MY60-SS

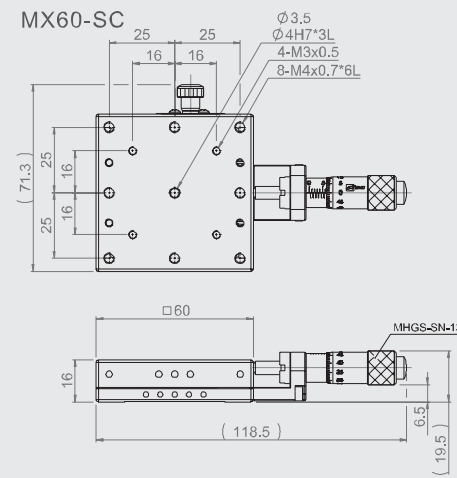


Specification

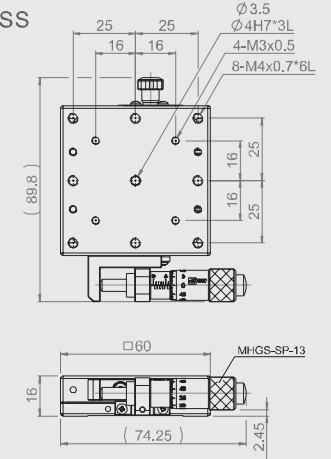
Unit: mm

Model no.	Table size	Axis	Feed position	Travel stroke	Micrometer minimum reading	Straightness accuracy	Allowable Loading (kgf)	Weight (kg)	Material	Surface finish
MX60-SC	60*60	X-axis	Central	±6.5	10µm	3µm	20	0.4	SUS 440C	Electroless nickel plating
MX60-SS			Side							
MY60-SC		XY-axis	Central				19.6	0.8		
MY60-SS			Side							

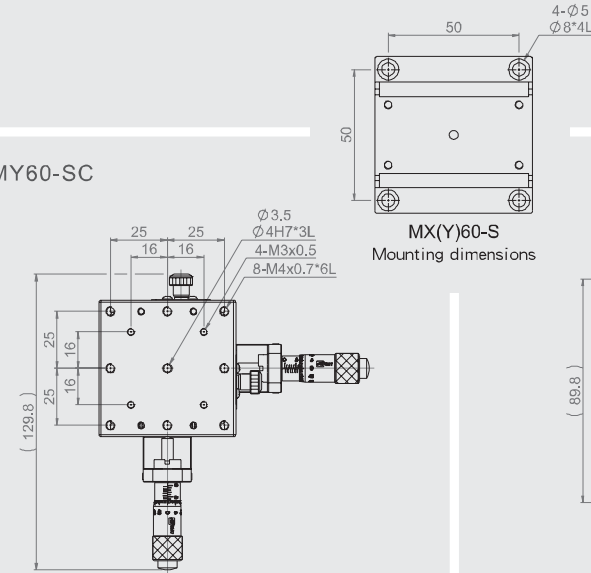
MX60-SC



MX60-SS



MY60-SC



MY60-SS

