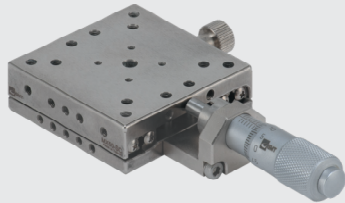
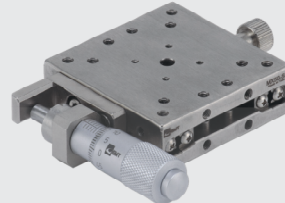


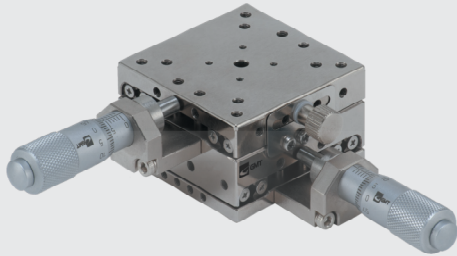
MX50-SC



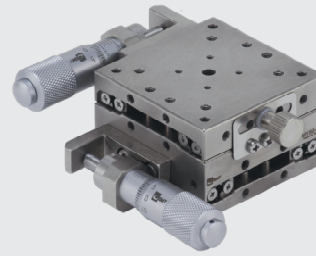
MX50-SS



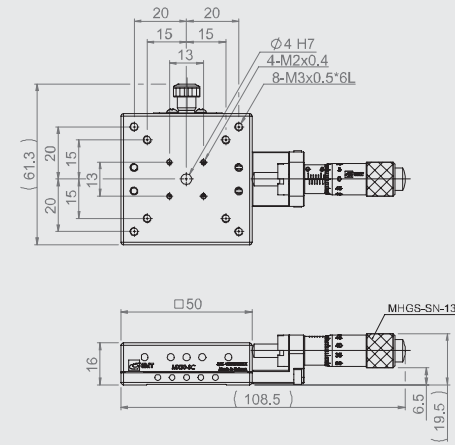
MY50-SC



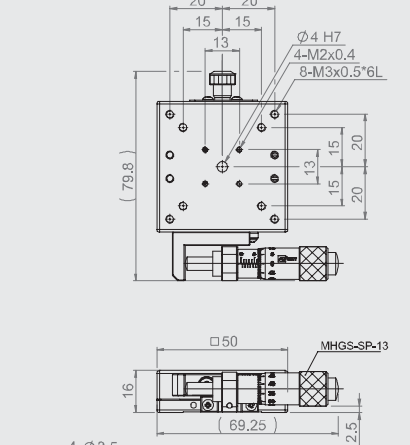
MY50-SS



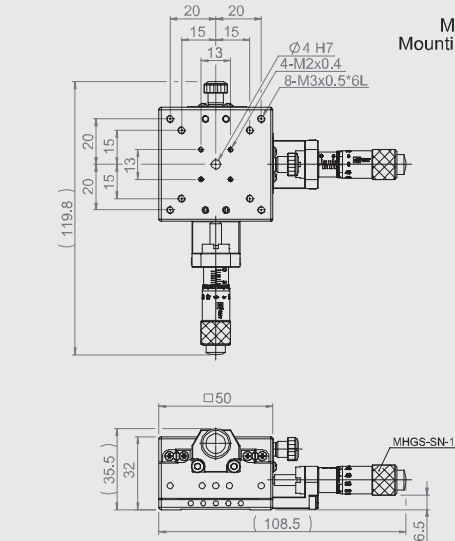
MX50-SC



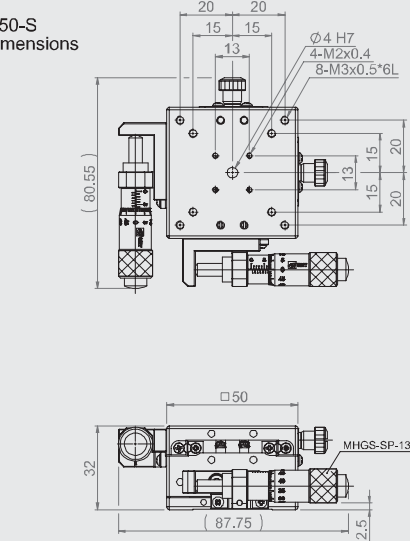
MX50-SS



MY50-SC



MY50-SS



MX(Y)50-S Mounting dimensions

Specification

Unit: mm

Model no.	Table size	Axis	Feed position	Travel stroke	Micrometer minimum reading	Straightness accuracy	Allowable Loading (kgf)	Weight (kg)	Material	Surface finish
MX50-SC	50*50	X-axis	Central	±6.5	10µm	3µm	15	0.28	SUS 440C	Electroless nickel plating
MX50-SS			Side							
MY50-SC		XY-axis	Central				14.7	0.56		
MY50-SS			Side							