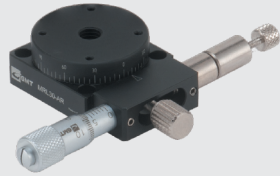


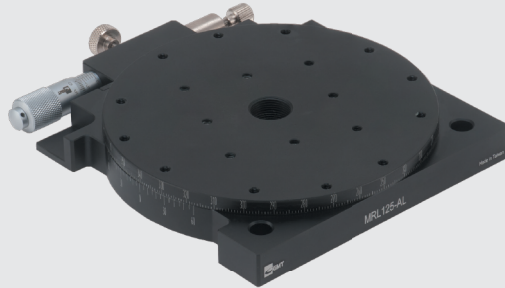
MRL30-AR



MRL60-AL



MRL125-AL



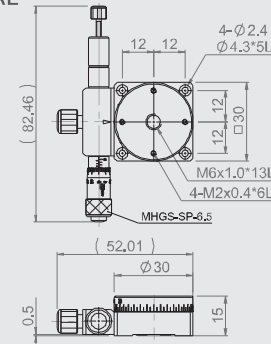
Specification

Unit: mm

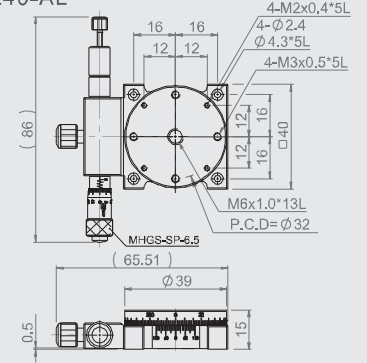
Model no.	Table size	Travel stroke	Rotation Accuracy	Micrometer minimum reading	Offset (Eccentric)	Allowable Loading (kgf)	Weight kg	Material	Surface finish
MRL30-AL	Ø 30	Cursory 360° Fine ± 5°	5°	≒ 1'38"	0.02	1	0.1	Aluminum alloy	Black anodized
MRL40-AL	Ø 40		2°	≒ 1'11"	0.05	1.5	0.1		
MRL60-AL	Ø 60		1°	≒ 58"	0.04	3	0.2		
MRL90-AL	Ø 90		1°	≒ 36"	0.04	3	0.5		
MRL125-AL	Ø 125		1°	≒ 28"	0.05	3	0.9		

★ MR series have been integrated with the brass rotation interface.

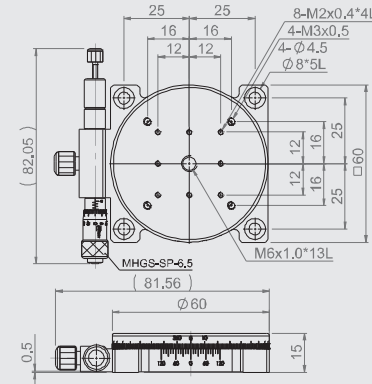
MRL30-AL



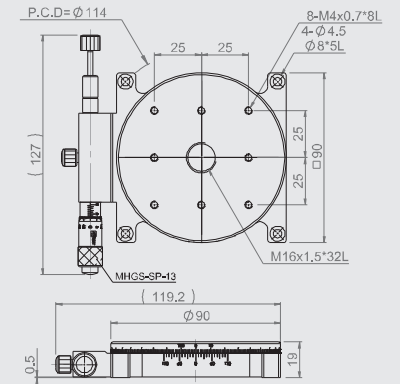
MRL40-AL



MRL60-AL



MRL90-AL



MRL125-AL

