

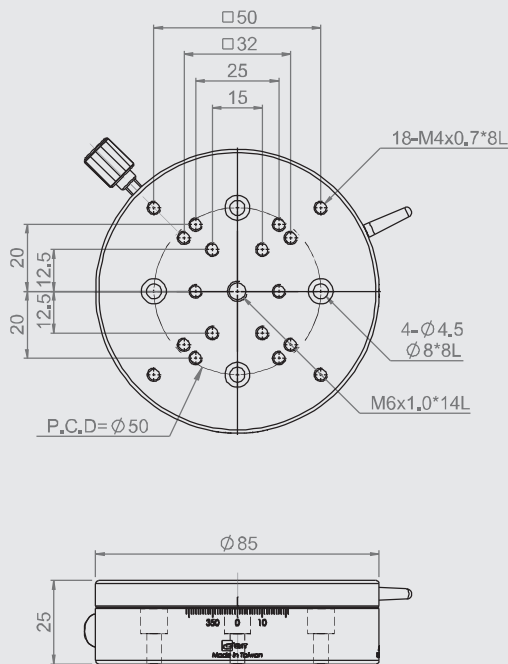
MRE85-A



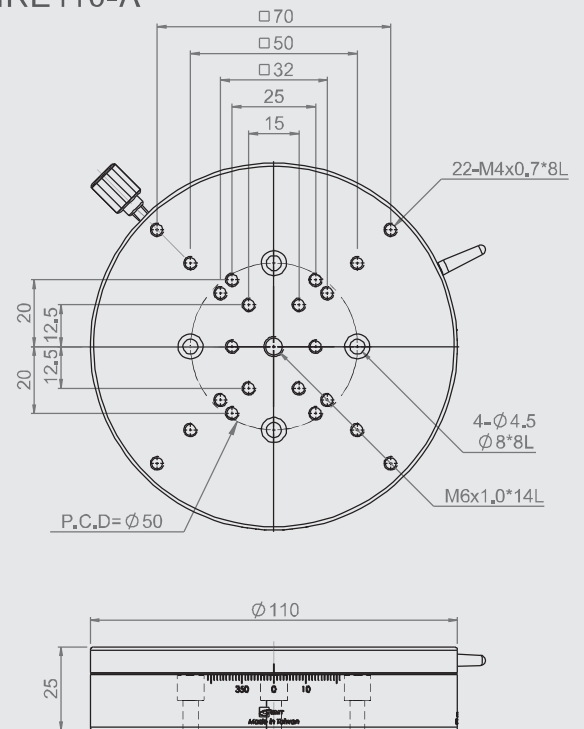
MRE110-A



MRE85-A



MRE110-A



Specification

Unit: mm

Model no.	Table size	Travel stroke	Micrometer minimum reading	Offset (Eccentric)	Allowable Loading (kgf)	Weight kg	Material	Surface finish
MRE85-A	$\phi 85$	Cursory 360°	1°	0.05	8	0.4	Aluminum alloy	Black anodized
MRE110-A	$\phi 110$				9	0.66		