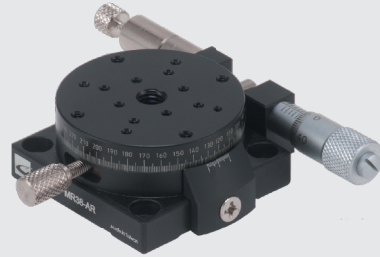
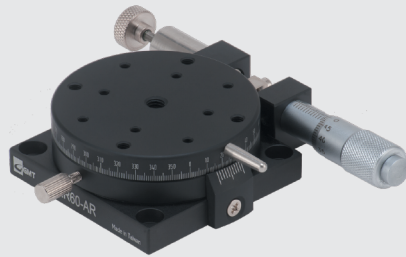


MR38-AR



MR60-AR



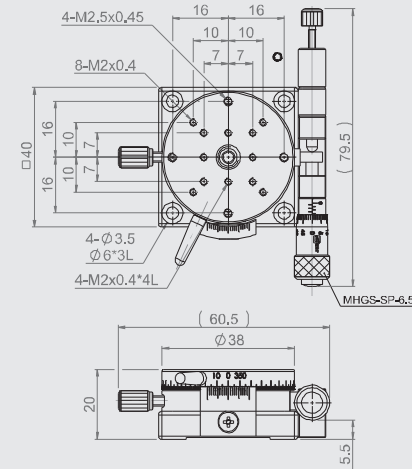
Specification

Unit: mm

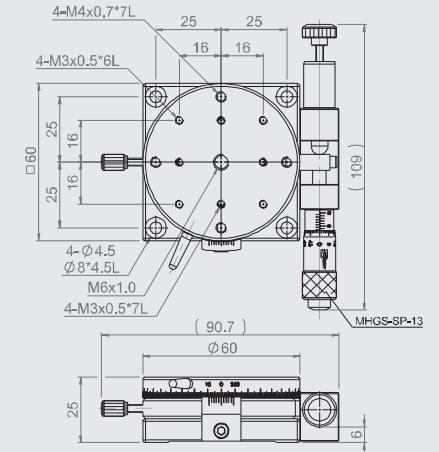
| Model no. | Table size | Travel stroke | Rotation Accuracy | Micrometer minimum reading | Offset (Eccentric) | Allowable Loading (kgf) | Weight kg | Material | Surface finish |
|-----------|------------|---------------------------|-------------------|----------------------------|--------------------|-------------------------|-----------|----------------|----------------|
| MR38-AR | Ø 38 | Cursory 360° Fine ± 5° | 0.2° | ≒ 1'26" Vernier | 0.05 | 1 | 0.09 | Aluminum alloy | Black anodized |
| MR60-AR | Ø 60 | | | ≒ 55" Vernier | | 3 | 0.28 | | |
| MR85-AR | Ø 85 | | 0.1° | ≒ 43" Vernier | | 4 | 0.48 | | |
| MR110-AR | Ø 110 | | | ≒ 34" Vernier | | 5 | 0.75 | | |

★ MR series have been integrated with the brass rotation interface.

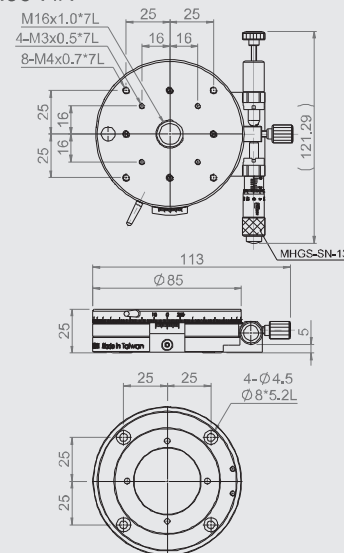
MR38-AR



MR60-AR



MR85-AR



MR110-AR

