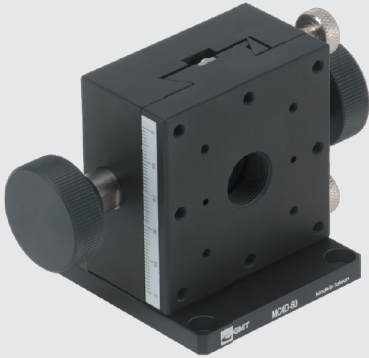
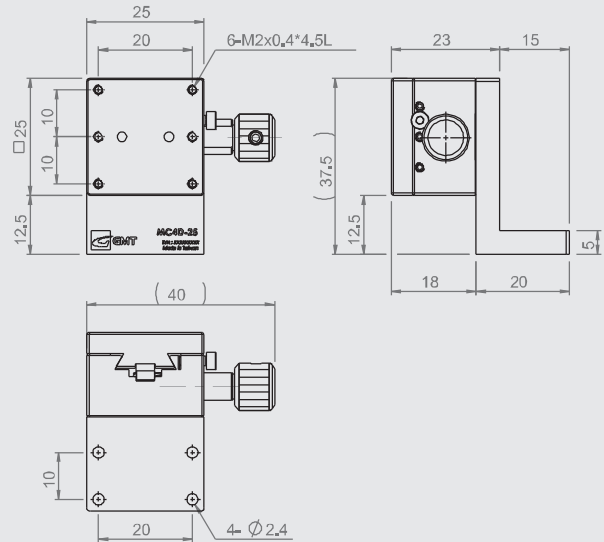


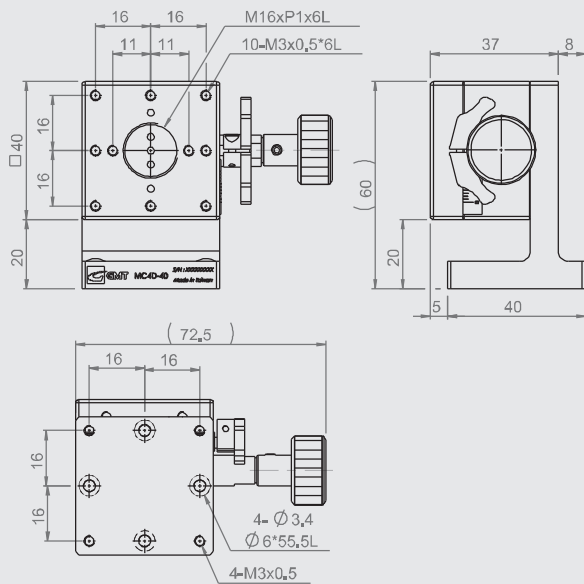
MC4D-60



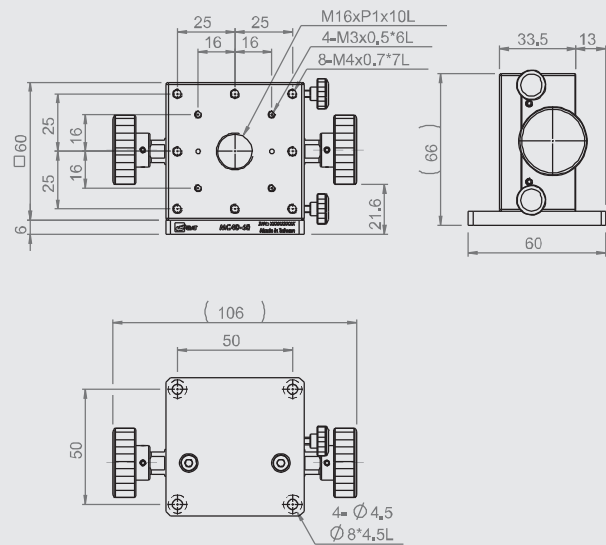
MC4D-25



MC4D-40



MC4D-60



★ The vernier of MC4D-25 is on the opposite of the mounting surface of the fixture.

Specification

Unit: mm

Model no.	Table size	Travel stroke	Movement per knob rotation	Minimum reading	Straightness accuracy	Allowable Loading (kgf)	Weight kg	Material	Surface finish
MC4D-25	25*25	±5	17	0.1 mm / Vernier	20 µm	0.7	0.11	Brass alloy	Black fluororesin finished
MC4D-40	40*40	±10	20		20 µm	1.5	0.23	Aluminum alloy	Black anodized
MC4D-60	60*60	±20	18		30 µm	2.0	0.60		