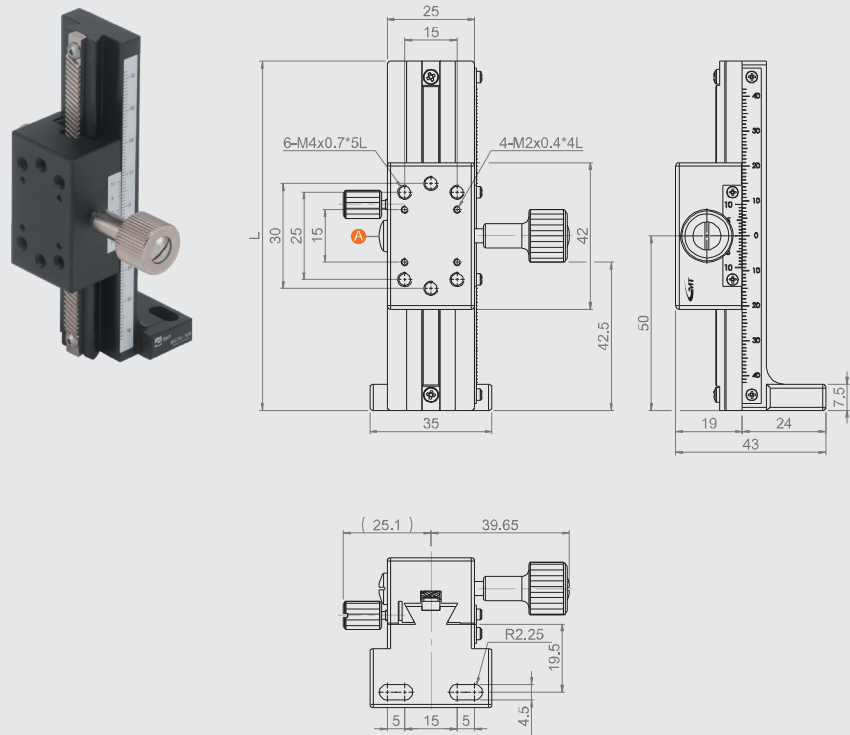


MC3C-100



- ★ Combinble with MC1B (P.149), MC2B(P.150), MC1C(P.153).
- ★ Use a flat driver to turn **A** clockwise for slow motion, or turn counter-clockwise for smooth motion.

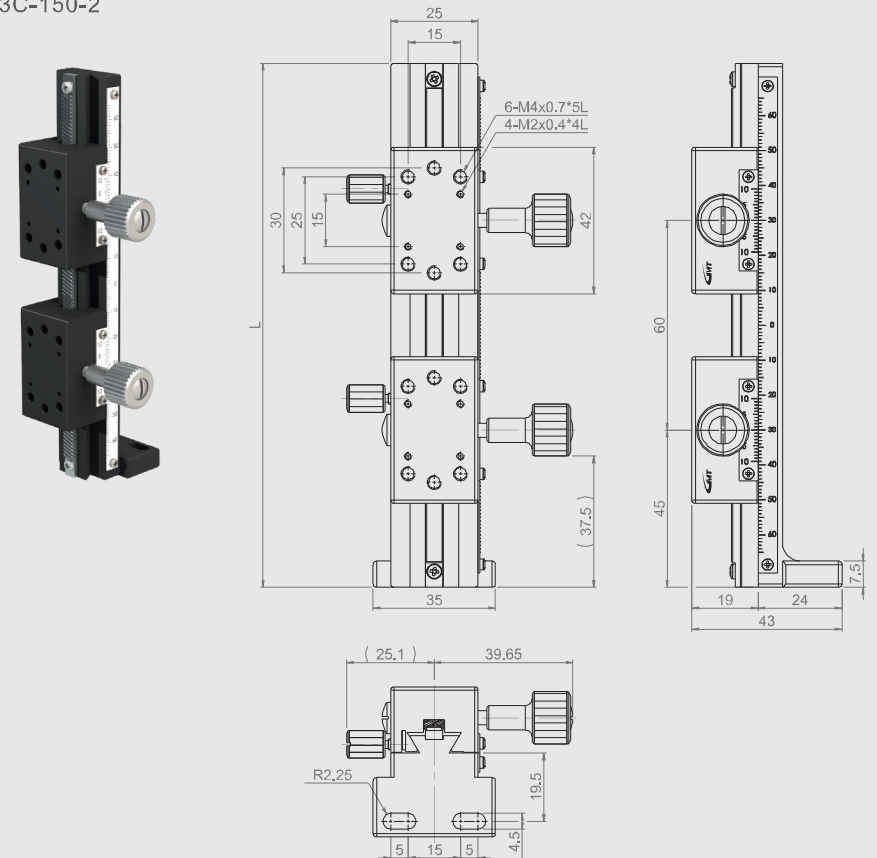
Specification

Unit: mm

Model no.	Table size (L)	Travel stroke	Minimum reading	Straightness accuracy	Allowable Loading (kgf)	Weight kg	Material	Surface finish
MC3C-50	50	±15	0.1 mm / Vernier	30 μm	1.5	0.12	Aluminum alloy	Black anodized
MC3C-70	70	±25				0.135		
MC3C-100	100	±40				0.16		
MC3C-150	150	±65				0.215		
MC3C-200	200	±90				0.3		
MC3C-250	250	±115				0.36		
MC3C-300	300	±140	0.41					

- ★ A full rotation of the feeding screw knob equals a 18mm stroke.

MC3C-150-2



Specification

Unit: mm

Model no.	Table size (L)	Axis	Travel stroke	Movement per knob rotation	Minimum reading	Straightness accuracy	Allowable Loading (kgf)	Weight kg	Material	Surface finish	Remarks
MC3C-150-2	150	Z-axis	±20	18	0.1 mm / Vernier	40 μm	3	0.27	Aluminum alloy	Black anodized	Two slide blocks
MC3C-200-2	200		±37			50 μm	1.5	0.3			
MC3C-300-2	300		±70			70 μm	1.5	0.48			