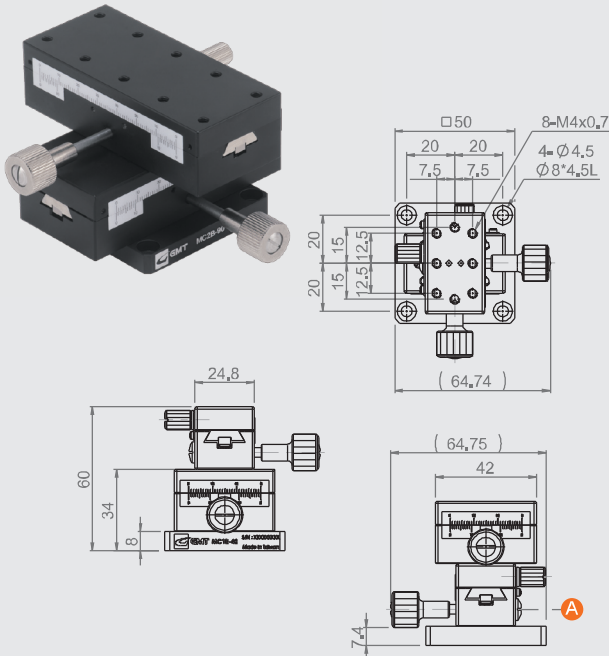
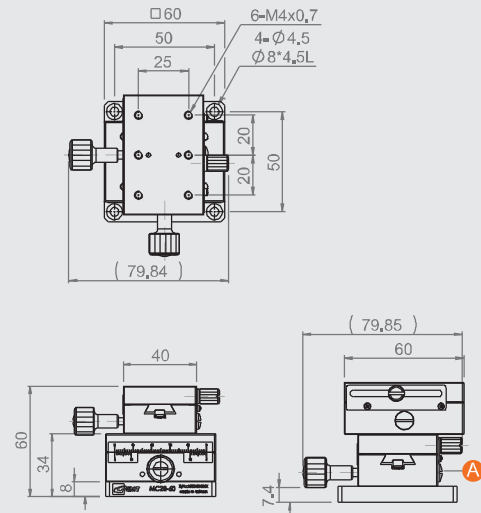


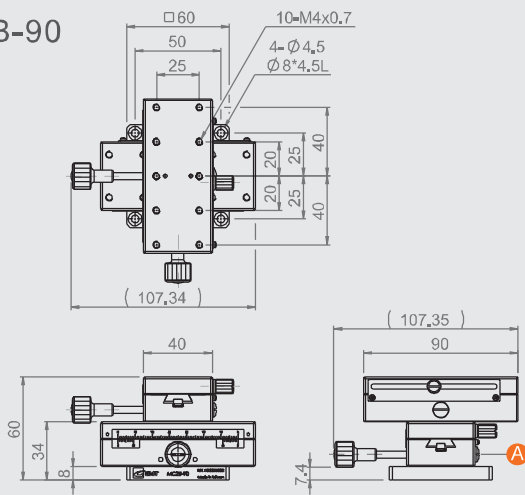
MC2B-40



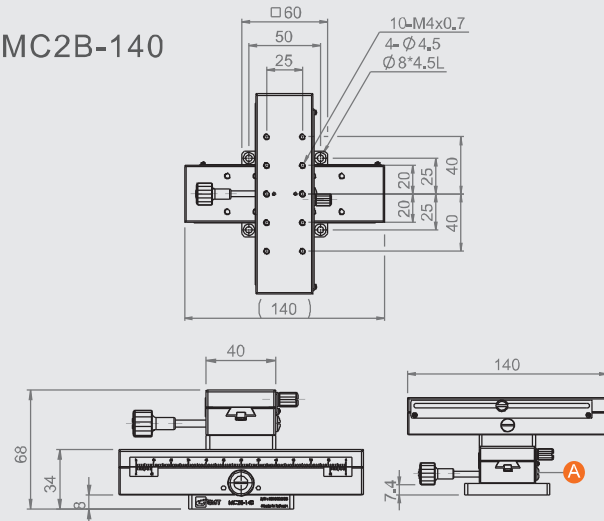
MC2B-60



MC2B-90



MC2B-140



★ Use a flat driver to turn **A** clockwise for slow motion, or turn counterclockwise for smooth motion.

★ Photo shown : MC2B-90 °

Specification

Unit: mm

Model no.	Table size	Travel stroke	Minimum reading	Straightness accuracy	Allowable Loading (kgf)	Weight kg	Material	Surface finish
MC2B-40	24,8*42	±12	0.1 mm / Vernier	30 μm	2.5	0.29	Aluminum alloy	Black anodized
MC2B-60	40*60	±21				0.51		
MC2B-90	40*90	±35			3.5	0.73		
MC2B-140	40*140	±60			1.08			

★ A full rotation of the feeding screw knob equals a 18mm stroke.