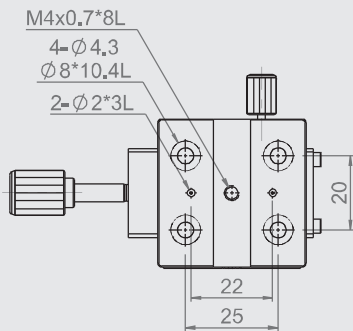
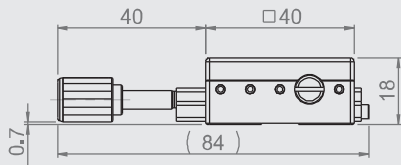
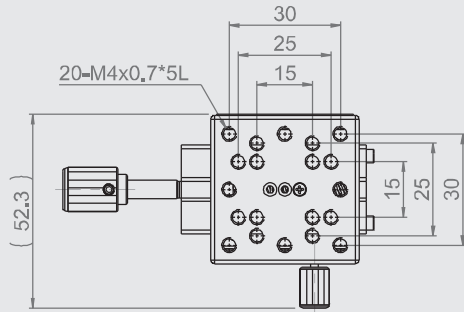
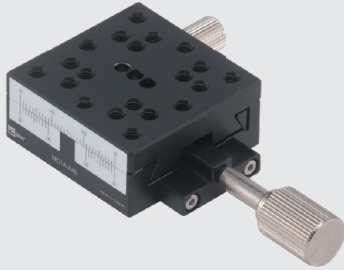
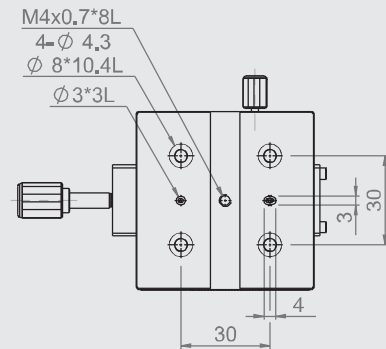
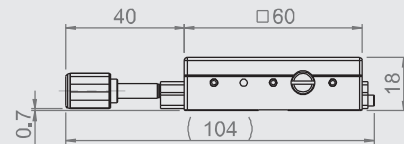
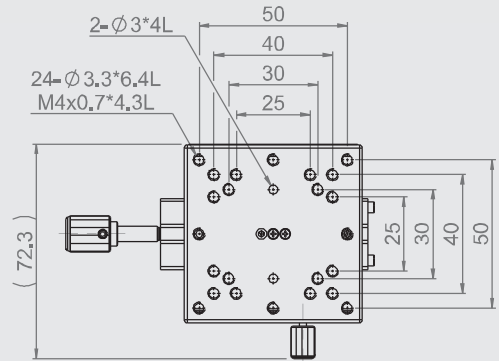


MC1A-A40



MC1A-A60



Specification

Unit: mm

Model no.	Table size	Axis	Feed position	Travel stroke	Minimum reading	Straightness accuracy	Allowable Loading (kgf)	Weight kg	Material	Surface finish
MC1A-A40	40*40	X-axis	Central	± 11	0.1mm/ Vernier	30 μm	2	0.10	Aluminum alloy	Black anodized
MC1A-A60	60*60			± 21			3	0.19		