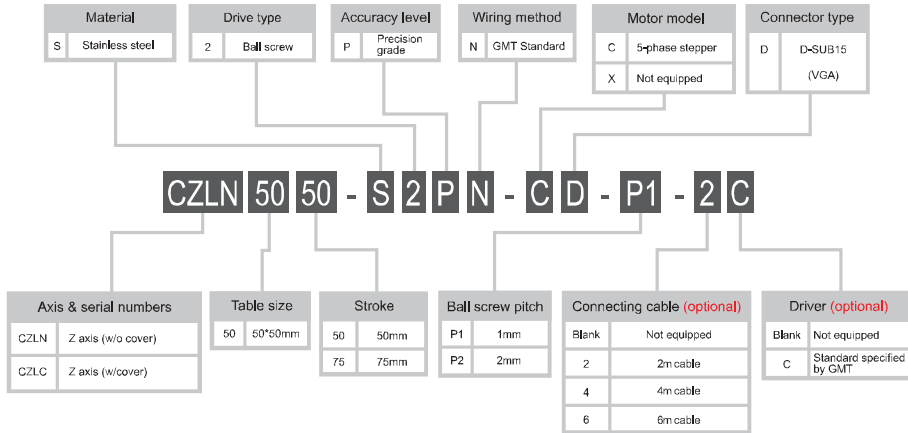


Model description

CZLN50 / CZLC50series



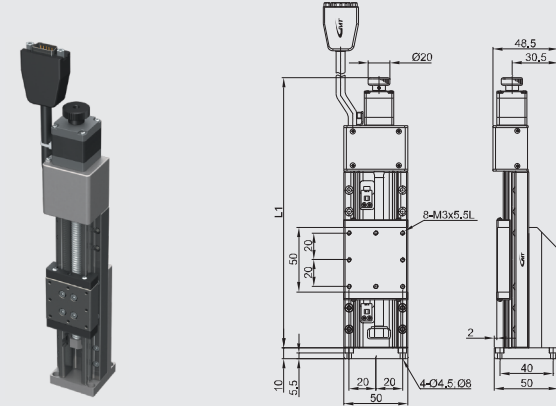
Model Number		CZLN5050-S2PN-CD-P1	CZLN5050-S2PN-CD-P2	CZLN5075-S2PN-CD-P1	CZLN5075-S2PN-CD-P2	
		CZLC5050-S2PN-CD-P1	CZLC5050-S2PN-CD-P2	CZLC5075-S2PN-CD-P1	CZLC5075-S2PN-CD-P2	
Mechanical specifications	Table size	50X50 mm		75 mm		
	Travel stroke	50 mm		75 mm		
	Drive type	Ball screw Ø8 lead 1mm	Ball screw Ø8 lead 2mm	Ball screw Ø8 lead 1mm	Ball screw Ø8 lead 2mm	
	Rail	Circular Linear ball guiding				
	Stage material/Surface treatment	Stainless steel / Electroless nickel plating				
Precision specifications	Main unit weight	N : 1.35 Kg / C : 2.05 Kg		N : 1.49 Kg / C : 1.54 Kg		
	Coupling	FAMCS11.6-5*5				
	Accuracy level	P : Precision grade				
	Wiring method	N : GMT Standard				
	Resolution (pulse)	Full / Half	2 µm / 1 µm	4 µm / 2 µm	2 µm / 1 µm	4 µm / 2 µm
	Maximum speed (full step)		20 mm / sec	40 mm / sec	20 mm / sec	40 mm / sec
	Positioning precision		5 µm		7 µm	
	Repeatability precision		±0.5 µm			
	Load capacity		7 Kgf			
	Missed step		1 µm			
Electrical specifications	Motor	Type/Shaft numbers	5-phase stepper / □28 double shafts			
		Brand/ Model	Sanyo / SH5281-7211			
		Driver brand/Model	Please refer to motor / driver cross-reference table (page E3)			
	Connector	Stage side connector	15-pin male end connector D-SUB			
		Controller side connector	15-pin female end connector D-SUB (optional)			
	Sensor	Origin sensor	Photoelectric sensor EE-SX4134			
		Limit sensor				
		Origin approximation sensor	N/A			
Power voltage		24V±10%				
Control output		NPN open collector output under 24V 8mA				
	Output control	Testing (sensing) : output transistor OFF (closed)				

*GMT standard wiring is defined as the product photo, and not optional available.
 *GMT motorized stage is equipped with D-SUB connector as the standard one which is available to be changed to HRS or N/C on request as per reference stated on P.171
 *In case HRS connection cable is required, please consult to your regional sales.

Z axis

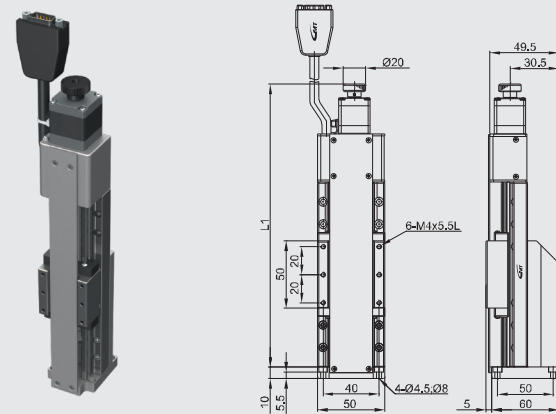


CZLN50□-S2PN-CD-P1



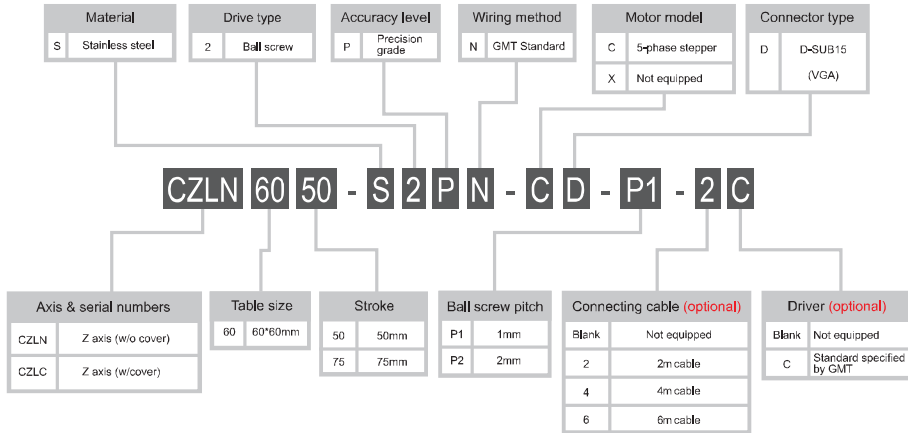
Stroke	L	L1
50	120	227.5
75	145	250

CZLC50□-S2PN-CD-P1



Model description

CZLN60 / CZLC60series



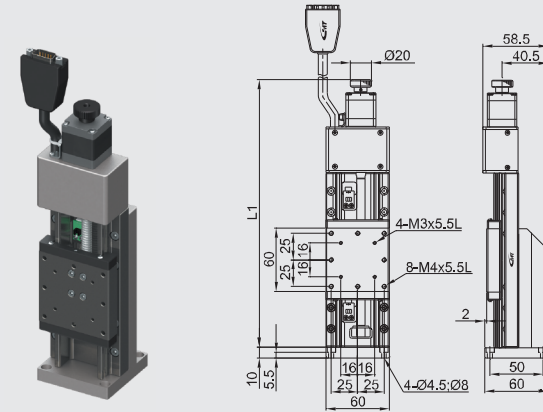
Model Number		CZLN6050-S2PN-CD-P1	CZLN6050-S2PN-CD-P2	CZLN6075-S2PN-CD-P1	CZLN6075-S2PN-CD-P2	
		CZLC6050-S2PN-CD-P1	CZLC6050-S2PN-CD-P2	CZLC6075-S2PN-CD-P1	CZLC6075-S2PN-CD-P2	
Mechanical specifications	Table size	60X60 mm				
	Travel stroke	50 mm		75 mm		
	Drive type	Ball screw Ø8 lead 1mm	Ball screw Ø8 lead 2mm	Ball screw Ø8 lead 1mm	Ball screw Ø8 lead 2mm	
	Rail	Circular Linear ball guiding				
	Stage material/Surface treatment	Stainless steel / Electroless nickel plating				
Precision specifications	Main unit weight	N : 1.91 Kg / C : 3.22 Kg		N : 2.05 Kg / C : 2.1 Kg		
	Coupling	FAMCS11.6-5*5				
	Accuracy level	P : Precision grade				
	Wiring method	N : GMT Standard				
	Resolution (pulse)	Full / Half	2 µm / 1 µm	4 µm / 2 µm	2 µm / 1 µm	4 µm / 2 µm
	Maximum speed (full step)		20 mm / sec	40 mm / sec	20 mm / sec	40 mm / sec
	Positioning precision		5 µm		7 µm	
	Repeatability precision		±0.5 µm			
	Load capacity		9 Kgf			
	Missed step		1 µm			
Electrical specifications	Motor	Type/Shaft numbers	5-phase stepper / □28 double shafts			
		Brand/ Model	Sanyo / SH5281-7211			
	Driver brand/Model	Please refer to motor / driver cross-reference table (page E3)				
	Connector	Stage side connector	15-pin male end connector D-SUB			
		Controller side connector	15-pin female end connector D-SUB (optional)			
	Sensor	Origin sensor	Photoelectric sensor EE-SX4134			
		Limit sensor				
		Origin approximation sensor	N/A			
Power voltage		24V±10%				
Control output		NPN open collector output under 24V 8mA				
Output control	Testing (sensing) : output transistor OFF (closed)					

* GMT standard wiring is defined as the product photo, and not optional available.
 * GMT motorized stage is equipped with D-SUB connector as the standard one which is available to be changed to HRS or NJC on request as per reference stated on P.171
 * In case HRS connection cable is required, please consult to your regional sales.



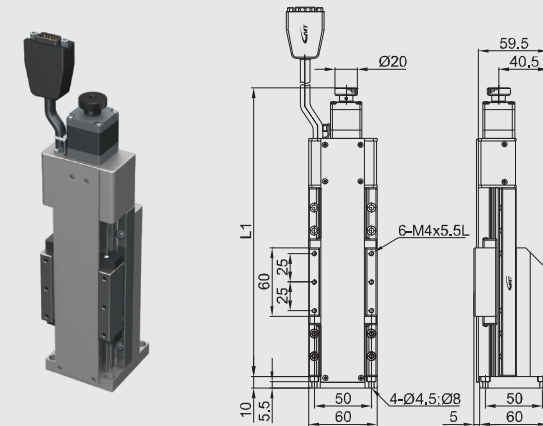
Z axis

CZLN60□-S2PN-CD-P1



Stroke	L	L1
50	140	233
75	165	262

CZLC60□-S2PN-CD-P1



Model description

CZLN80 / CZLC80series

Material	Drive type	Accuracy level	Wiring method	Motor model	Connector type
S Stainless steel	2 Ball screw	P Precision grade	N GMT Standard	C 5-phase stepper X Not equipped	D D-SUB15 (VGA)

CZLN 80 50 - S 2 P N - C D - P 1 - 2 C

Axis & serial numbers	Table size	Stroke	Ball screw pitch	Connecting cable (optional)	Driver (optional)
CZLN Z axis (w/o cover)	80 80*80mm	50 50mm 75 75mm	P1 1mm P2 2mm	Blank Not equipped 2 2m cable 4 4m cable 6 6m cable	Blank Not equipped C Standard specified by GMT

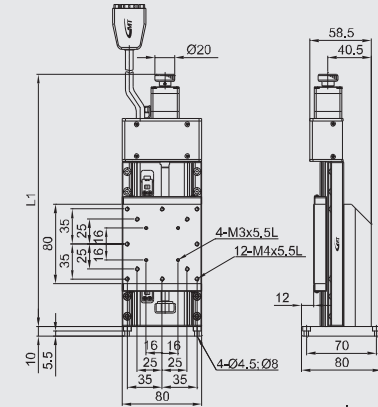
Model Number		CZLN8050-S2PN-CD-P1	CZLN8050-S2PN-CD-P2	CZLN8075-S2PN-CD-P1	CZLN8075-S2PN-CD-P2	
		CZLC8050-S2PN-CD-P1	CZLC8050-S2PN-CD-P2	CZLC8075-S2PN-CD-P1	CZLC8075-S2PN-CD-P2	
Mechanical specifications	Table size	80X80 mm				
	Travel stroke	50 mm		75 mm		
	Drive type	Ball screw Ø8 lead 1mm	Ball screw Ø8 lead 2mm	Ball screw Ø8 lead 1mm	Ball screw Ø8 lead 2mm	
	Rail	Circular Linear ball guiding				
	Stage material/Surface treatment	Stainless steel / Electroless nickel plating				
	Main unit weight	N : 2.58 Kg / C : 2.76 Kg		N : 2.74 Kg / C : 2.93 Kg		
Precision specifications	Resolution (pulse)	Full / Half	2 µm / 1 µm	4 µm / 2 µm	2 µm / 1 µm	4 µm / 2 µm
	Maximum speed (full step)		20 mm / sec	40 mm / sec	20 mm / sec	40 mm / sec
	Positioning precision		5 µm		7 µm	
	Repeatability precision		±0.5 µm			
	Load capacity		9 Kgf			
	Missed step		1 µm			
	Parallelism		20 µm			
	Dynamic straightness		2 µm			
	Dynamic parallelism		10 µm			
	Electrical specifications	Motor	Type/Shaft numbers	5-phase stepper / □28 double shafts		
		Brand/ Model	Sanyo / SH5281-7211			
		Driver brand/Model	Please refer to motor / driver cross-reference table (page E3)			
Connector		Stage side connector	15-pin male end connector D-SUB			
		Controller side connector	15-pin female end connector D-SUB (optional)			
Sensor		Origin sensor	Photoelectric sensor EE-SX4134			
		Limit sensor				
		Origin approximation sensor	N/A			
		Power voltage	24V±10%			
		Control output	NPN open collector output under 24V 8mA			
	Output control	Testing (sensing) : output transistor OFF (closed)				

* GMT standard wiring is defined as the product photo, and not optional available.
 * GMT motorized stage is equipped with D-SUB connector as the standard one which is available to be changed to HRS or N/C on request as per reference stated on P.171
 * In case HRS connection cable is required, please consult to your regional sales.



Z axis

CZLN80□-S2PN-CD-P1



Stroke	L	L1
50	160	252.5
75	185	277.5

CZLC80□-S2PN-CD-P1

