

Model description

# CYN50 / CYC50 series

Material	Drive type	Accuracy level	Wiring method	Motor model	Connector type
S Stainless steel	2 Ball screw	P Precision grade	N GMT Standard	C 5-phase stepper X Not equipped	D D-SUB15 (VGA)

**CYN 50 30 - S 2 P N - C D - P1 - 2 C**

Axis & serial numbers	Table size	Stroke	Ball screw pitch	Connecting cable (optional)	Driver (optional)
CYN XY axis (w/o cover) CYC XY axis (w/cover)	50 50*50mm	30 30mm 50 50mm 75 75mm	P1 1mm P2 2mm	Blank Not equipped 2 2m cable 4 4m cable 6 6m cable	Blank Not equipped C Standard specified by GMT

Model Number		CYN5030-S2PN-CD-P1	CYN5030-S2PN-CD-P2	CYN5050-S2PN-CD-P1	CYN5050-S2PN-CD-P2	CYN5075-S2PN-CD-P1	CYN5075-S2PN-CD-P2	
		CYC5030-S2PN-CD-P1	CYC5030-S2PN-CD-P2	CYC5050-S2PN-CD-P1	CYC5050-S2PN-CD-P2	CYC5075-S2PN-CD-P1	CYC5075-S2PN-CD-P2	
Mechanical specifications	Table size	30 mm		50X50 mm		75 mm		
	Travel stroke	30 mm		50 mm		75 mm		
	Drive type	Ball screw Ø8 lead 1mm	Ball screw Ø8 lead 2mm	Ball screw Ø8 lead 1mm	Ball screw Ø8 lead 2mm	Ball screw Ø8 lead 1mm	Ball screw Ø8 lead 2mm	
	Rail	Circular Linear ball guiding						
	Stage material/Surface treatment	Stainless steel / Electroless nickel plating						
	Main unit weight	N : 1.94 Kg / C : 2.12 Kg		N : 2.2 Kg / C : 2.34 Kg		N : 2.48 Kg / C : 2.58 Kg		
Precision specifications	Coupling	FAMCS11.6-5*5						
	Accuracy level	P : Precision grade						
	Wiring method	N : GMT Standard						
	Resolution (pulse)	Full / Half	2 µm / 1 µm	4 µm / 2 µm	2 µm / 1 µm	4 µm / 2 µm	2 µm / 1 µm	4 µm / 2 µm
	Maximum speed (full step)		20 mm / sec	40 mm / sec	20 mm / sec	40 mm / sec	20 mm / sec	40 mm / sec
	Positioning precision		5 µm				7 µm	
	Repeatability precision		±0.5 µm					
	Load capacity		8 Kgf					
Electrical specifications	Motor	Type/Shaft numbers	5-phase stepper / □28 double shafts					
		Brand/ Model	Sanyo / SH5281-7211					
		Driver brand/Model	Please refer to motor / driver cross-reference table (page E3)					
	Connector	Stage side connector	15-pin male end connector D-SUB					
		Controller side connector	15-pin female end connector D-SUB (optional)					
	Sensor	Origin sensor	Photoelectric sensor EE-SX4134					
		Limit sensor						
		Origin approximation sensor	N/A					
Power voltage		24V±10%						
Control output		NPN open collector output under 24V 8mA						
	Output control	Testing (sensing) : output transistor OFF (closed)						

\* GMT standard wiring is defined as the product photo, and not optional available.

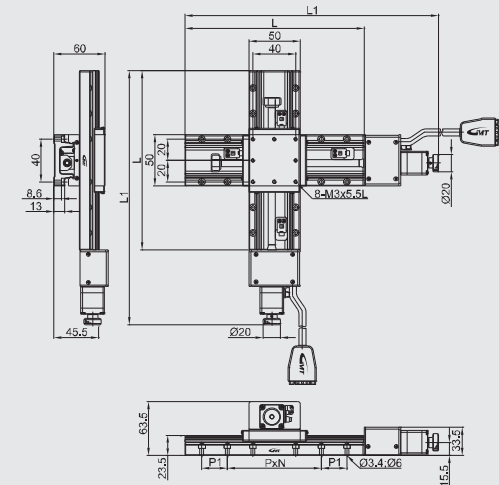
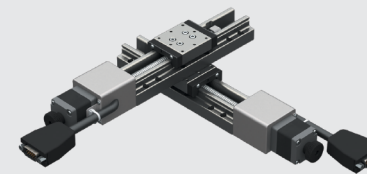
\* GMT motorized stage is equipped with D-SUB connector as the standard one which is available to be changed to HRS or NJC on request as per reference stated on P.171

\* In case HRS connection cable is required, please consult to your regional sales.

XY axis

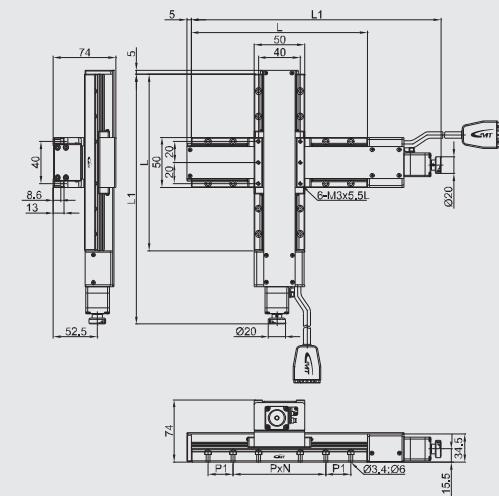
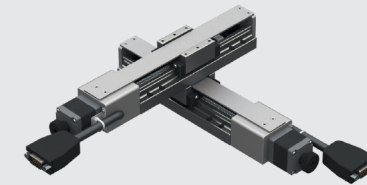


## CYN50□-S2PN-CD-P1



Stroke	L	L1	P	N	P1
30	110	197.5	40	1	20
50	120	217.5	40	3	N/A
75	145	242.5	40	3	N/A

## CYC50□-S2PN-CD-P1



Model description

# CYN60 / CYC60 series

Material	Drive type	Accuracy level	Wiring method	Motor model	Connector type
S Stainless steel	2 Ball screw	P Precision grade	N GMT Standard	C 5-phase stepper X Not equipped	D D-SUB15 (VGA)

**CYN 60 30 - S 2 P N - C D - P1 - 2 C**

Axis & serial numbers	Table size	Stroke	Ball screw pitch	Connecting cable (optional)	Driver (optional)
CYN XY axis (w/o cover) CYC XY axis (w/cover)	60 60*60mm	50 50mm 75 75mm	P1 1mm P2 2mm	Blank Not equipped 2 2m cable 4 4m cable 6 6m cable	Blank Not equipped C Standard specified by GMT

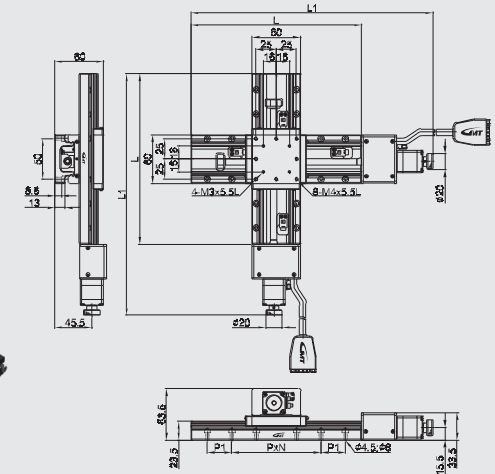
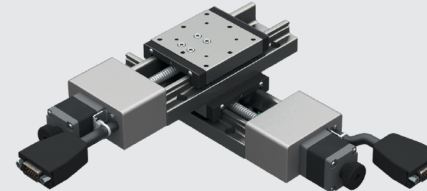
Model Number		CYN6030-S2PN-CD-P1	CYN6030-S2PN-CD-P2	CYN6050-S2PN-CD-P1	CYN6050-S2PN-CD-P2	CYN6075-S2PN-CD-P1	CYN6075-S2PN-CD-P2	
		CYC6030-S2PN-CD-P1	CYC6030-S2PN-CD-P2	CYC6050-S2PN-CD-P1	CYC6050-S2PN-CD-P2	CYC6075-S2PN-CD-P1	CYC6075-S2PN-CD-P2	
Mechanical specifications	Table size	60X60 mm			75 mm			
	Travel stroke	30 mm			50 mm			
	Drive type	Ball screw Ø8 lead 1mm	Ball screw Ø8 lead 2mm	Ball screw Ø8 lead 1mm	Ball screw Ø8 lead 2mm	Ball screw Ø8 lead 1mm	Ball screw Ø8 lead 2mm	
	Rail	Circular Linear ball guiding						
	Stage material/Surface treatment	Stainless steel / Electroless nickel plating						
	Main unit weight	N : 2.2 Kg / C : 2.58 Kg		N : 2.38 Kg / C : 2.66 Kg		N : 2.6 Kg / C : 2.88 Kg		
Precision specifications	Resolution (pulse)	Full / Half	2 µm / 1 µm	4 µm / 2 µm	2 µm / 1 µm	4 µm / 2 µm	2 µm / 1 µm	4 µm / 2 µm
	Maximum speed (full step)		20 mm / sec	40 mm / sec	20 mm / sec	40 mm / sec	20 mm / sec	40 mm / sec
	Positioning precision		5 µm			7 µm		
	Repeatability precision		±0.5 µm					
	Load capacity		10 Kgf					
	Missed step		1 µm					
Electrical specifications	Motor	Type/Shaft numbers	5-phase stepper / □28 double shafts					
		Brand/ Model	Sanyo / SH5281-7211					
		Driver brand/Model	Please refer to motor / driver cross-reference table (page E3)					
	Connector	Stage side connector	15-pin male end connector D-SUB					
		Controller side connector	15-pin female end connector D-SUB (optional)					
	Sensor	Origin sensor	Photoelectric sensor EE-SX4134					
Limit sensor								
Origin approximation sensor		N/A						
Power voltage		24V±10%						
Control output		NPN open collector output under 24V 8mA						
Output control	Testing (sensing) : output transistor OFF (closed)							

\* GMT standard wiring is defined as the product photo, and not optional available.  
 \* GMT motorized stage is equipped with D-SUB connector as the standard one which is available to be changed to HRS or N/C on request as per reference stated on P.171  
 \* In case HRS connection cable is required, please consult to your regional sales.

XY axis

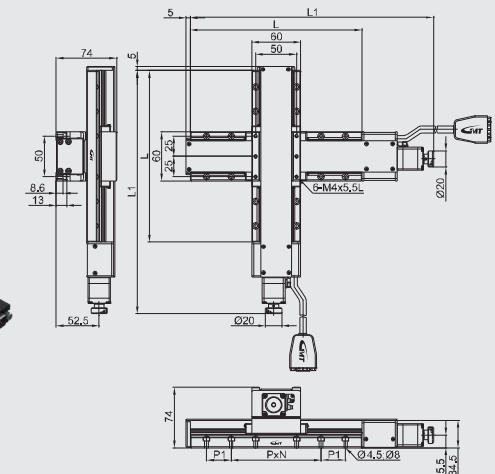
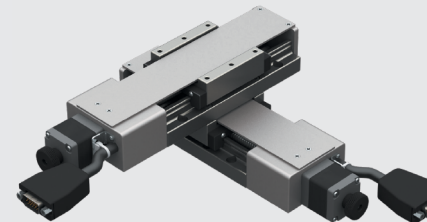


CYN60□-S2PN-CD-P1



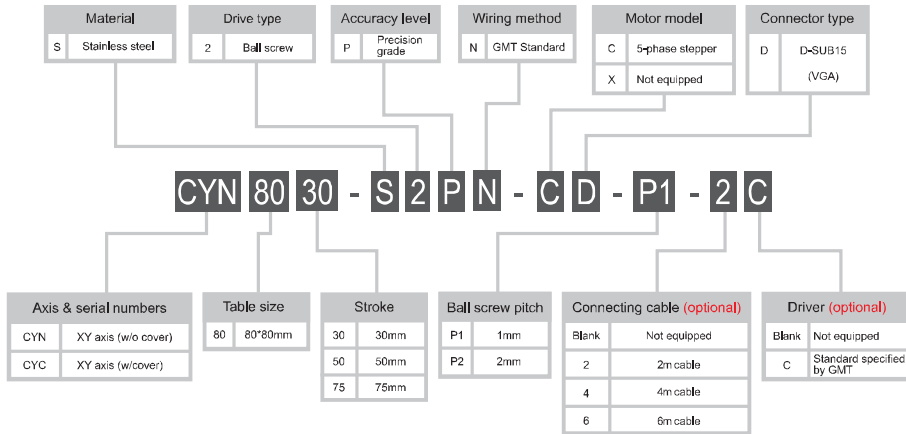
Stroke	L	L1	P	N	P1
30	120	209	50	1	25
50	140	229	50	1	25
75	165	254	50	3	N/A

CYC60□-S2PN-CD-P1



Model description

# CYN80 / CYC80series



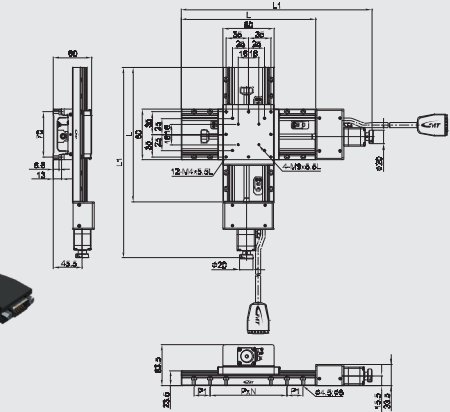
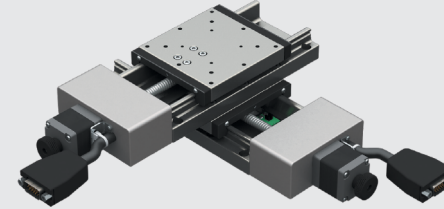
Model Number		CYN8030-S2PN-CD-P1	CYN8030-S2PN-CD-P2	CYN8050-S2PN-CD-P1	CYN8050-S2PN-CD-P2	CYN8075-S2PN-CD-P1	CYN8075-S2PN-CD-P2		
Mechanical specifications	Table size	80X80 mm			75 mm				
	Travel stroke	30 mm			50 mm				
	Drive type	Ball screw Ø8 lead 1mm	Ball screw Ø8 lead 2mm	Ball screw Ø8 lead 1mm	Ball screw Ø8 lead 2mm	Ball screw Ø8 lead 1mm	Ball screw Ø8 lead 2mm		
	Rail	Circular Linear ball guiding							
	Stage material/Surface treatment	Stainless steel / Electroless nickel plating							
	Main unit weight	N : 1,94 Kg / C : 2,12 Kg		N : 2,2 Kg / C : 2,34 Kg		N : 2,48 Kg / C : 2,58 Kg			
Precision specifications	Coupling	FAMCS11,6-5*5							
	Accuracy level	P : Precision grade							
	Wiring method	N : GMT Standard							
	Resolution (pulse)	Full / Half	2 µm / 1 µm	4 µm / 2 µm	2 µm / 1 µm	4 µm / 2 µm	2 µm / 1 µm	4 µm / 2 µm	
	Maximum speed (full step)	20 mm / sec		40 mm / sec		20 mm / sec		40 mm / sec	
	Positioning precision	5 µm							
	Repeatability precision	±0,5 µm							
	Load capacity	14 Kgf							
Electrical specifications	Motor	Type/Shaft numbers	5-phase stepper / □28 double shafts						
	Brand/ Model	Sanyo / SH5281-7211							
	Driver brand/Model	Please refer to motor / driver cross-reference table (page E3)							
	Connector	Stage side connector	15-pin male end connector D-SUB						
		Controller side connector	15-pin female end connector D-SUB (optional)						
	Sensor	Origin sensor	Photoelectric sensor EE-SX4134						
		Limit sensor	N/A						
		Origin approximation sensor	N/A						
Power voltage		24V±10%							
Control output		NPN open collector output under 24V 8mA							
Output control	Testing (sensing) : output transistor OFF (closed)								

\* GMT standard wiring is defined as the product photo, and not optional available.  
 \* GMT motorized stage is equipped with D-SUB connector as the standard one which is available to be changed to HRS or NJC on request as per reference stated on P.171  
 \* In case HRS connection cable is required, please consult to your regional sales.

XY axis



## CYN80□-S2PN-CD-P1



Stroke	L	L1	P	N	P1
30	140	229	70	1	25
50	160	247.5	35	4	35
75	185	272.5	35	4	35

## CYC80□-S2PN-CD-P1

