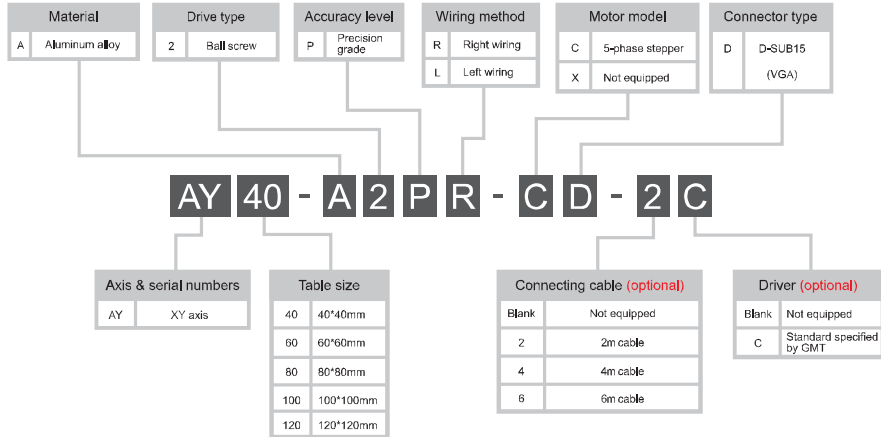


Model description

AY series



Model Number		AY 40-A2PR-CD	AY 60-A2PR-CD	AY 80-A2PR-CD	AY 100-A2PR-CD	AY 120-A2PR-CD
Mechanical specifications	Table size	40X40 mm	60X60 mm	80X80 mm	100X100 mm	120X120 mm
	Travel stroke	15 mm	20 mm	30 mm	40 mm	70 mm
	Drive type	Ball screw Ø6 lead 1mm		Ball screw Ø8 lead 1mm		
	Rail	Crossed-roller guiding				
Precision specifications	Stage material/Surface treatment	Aluminum alloy / Black anodized				
	Main unit weight	0,76 Kg	1,38 Kg	2,42 Kg	3,3 Kg	5,24 Kg
	Coupling	FAMMS12-3*5	FAMS16-5*5	FAMMS16-5*5		
	Accuracy level	P : Precision grade				
	Wiring method	R : Right wiring				
	Resolution (pulse)	Full / Half	2 µm / 1 µm			
	Maximum speed (full step)	10 mm / sec			10 µm	
	Positioning precision	5 µm				10 µm
	Repeatability precision	±0,5 µm			10 µm	
	Load capacity	5,5 Kgf		19 Kgf	21 Kgf	23 Kgf
Electrical specifications	Missed step	1 µm				
	Parallelism	20 µm			2 µm	
	Dynamic straightness	6,6 µm			10 µm	
	Dynamic parallelism	6,6 µm			10 µm	
	Motor	Type/Shaft numbers	5-phase stepper / □28 double shafts		5-phase stepper / □42 double shafts	
	Brand/ Model	Sanyo / SH5281-7211		Sanyo / 103F5510-8211		
	Connector	Driver brand/Model	Please refer to motor / driver cross-reference table (page E3)			
Sensor	Stage side connector	15-pin male end connector D-SUB				
	Controller side connector	15-pin female end connector D-SUB (optional)				
	Origin sensor	Photoelectric sensor EE-SX4134				
	Limit sensor	Photoelectric sensor EE-SX912-R				
	Origin approximation sensor	N / A		Photoelectric sensor EE-SX912-R		
Power voltage	24V±10%					
Control output	NPN open collector output under 24V 8mA					
Output control	Testing (sensing) : output transistor OFF (closed)					

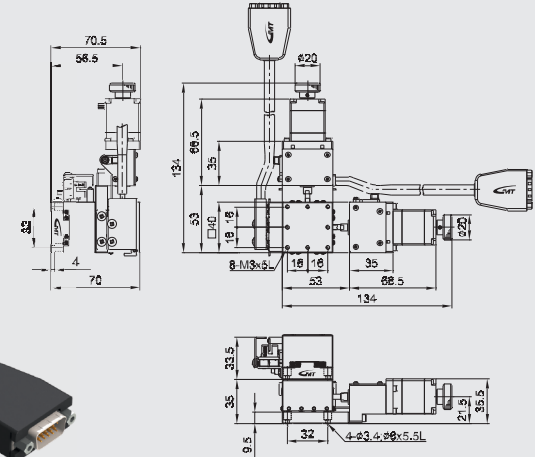
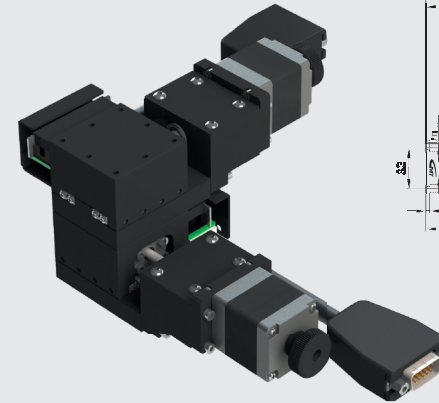
* GMT motorized stage is equipped with D-SUB connector as the standard one which is available to be changed to HRS or NJC on request as per reference stated on P.171

* In case HRS connection cable is required, please consult to your regional sales.

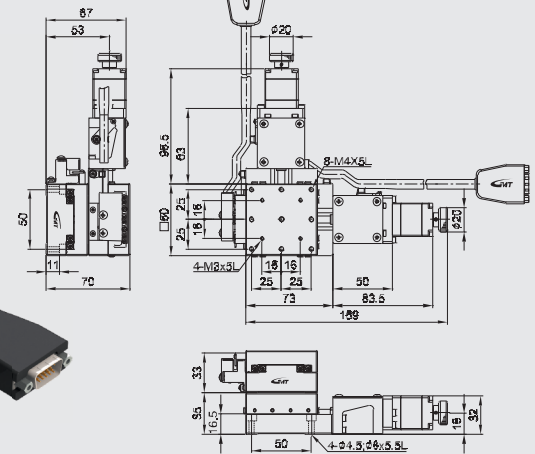
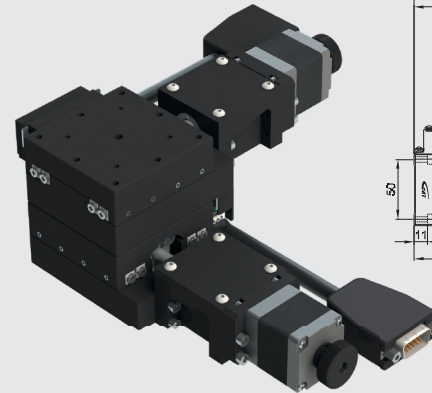
XY axis



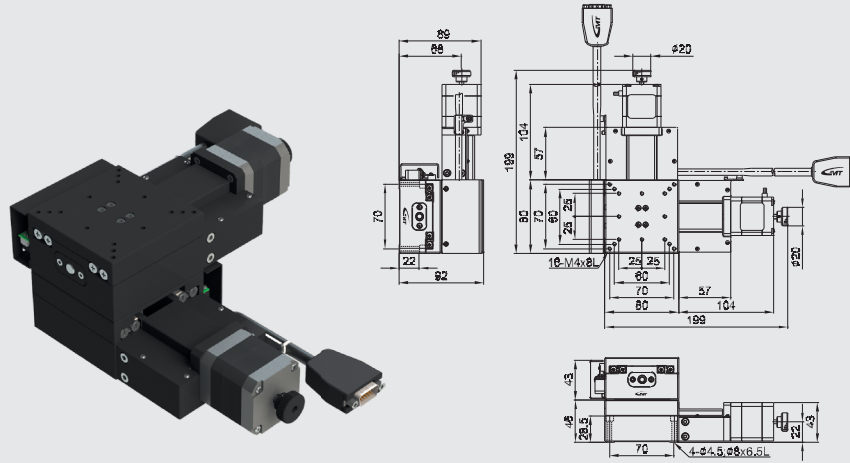
AY40-A2PR-CD



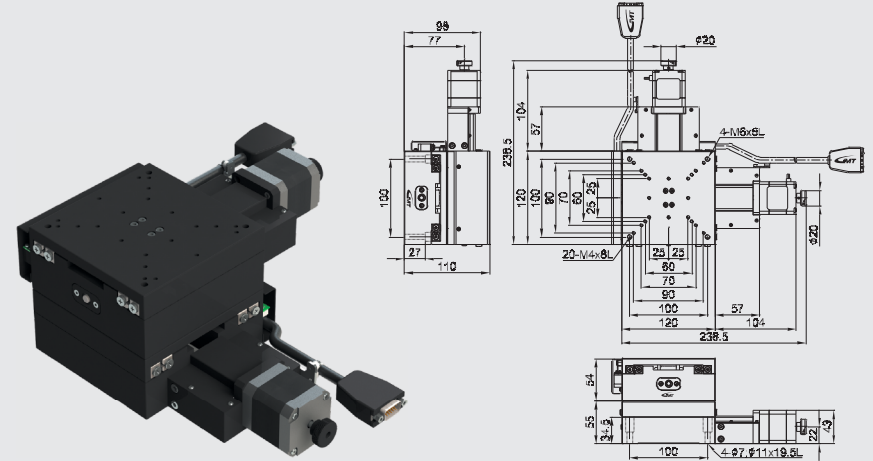
AY60-A2PR-CD



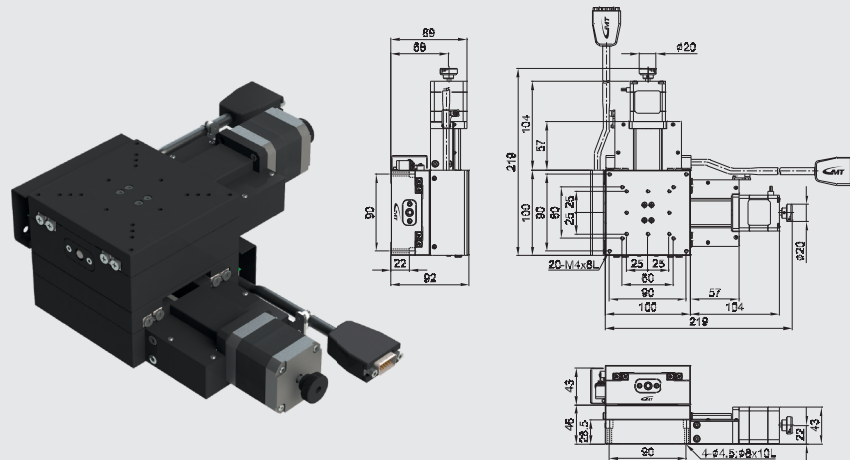
AY80-A2PR-CD



AY120-A2PR-CD



AY100-A2PR-CD



Application examples

