

Model description

AYC series

Material	Drive type	Accuracy level	Wiring method	Motor model	Connector type
A Aluminum alloy	2 Ball screw	P Precision grade	R Right wiring L Left wiring	C 5-phase stepper X Not equipped	D D-SUB15 (VGA)

AYC 60 20 - A 2 P R - C D - 2 C

Axis & serial numbers	Table size	Travel stroke	Connecting cable (optional)	Driver (optional)
AYC XY axis	60 60*60mm 80 80*80mm 100 100*100mm 120 120*120mm	20 20mm 30 30mm 40 40mm 50 50mm	Blank Not equipped 2 2m cable 4 4m cable 6 6m cable	Blank Not equipped C Standard specified by GMT

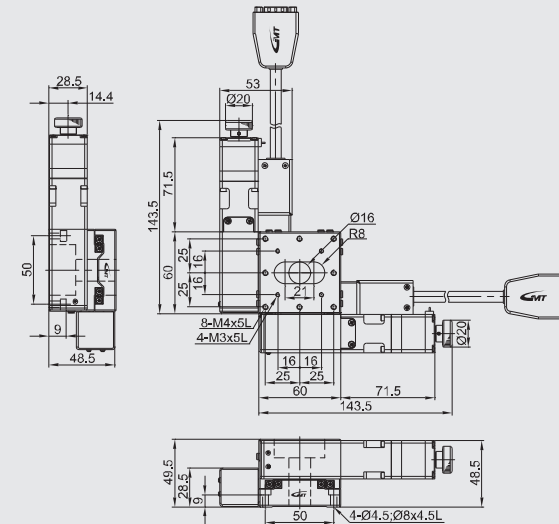
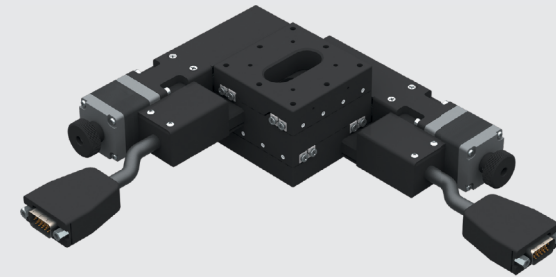
Model Number		AYC6020-A2PR-CD	AYC8030-A2PR-CD	AYC10040-A2PR-CD	AYC12050-A2PR-CD	
Mechanical specifications	Table size	60X60 mm	80X80 mm	100X100 mm	120X120 mm	
	Travel stroke	20 mm	30 mm	40 mm	50 mm	
	Drive type	Ball screw Ø6 lead 1mm				
	Rail	Crossed-roller guiding				
	Stage material/Surface treatment	Aluminum alloy / Black anodized				
Precision specifications	Main unit weight	1.0 Kg	1.74 Kg	3.05 Kg	5.25 Kg	
	Coupling	FAMCS13-5*5				
	Accuracy level	P : Precision grade				
	Wiring method	R : Right wiring				
	Resolution (pulse)	Full / Half		2 µm / 1 µm		
	Maximum speed (full step)			10 mm / sec		
	Positioning precision			5 µm		
	Repeatability precision			±0.5 µm		
	Load capacity	4.5 Kgf	6.5 Kgf	9.5 Kgf	14.5 Kgf	
	Missed step	1 µm				
Electrical specifications	Parallelism			20 µm		
	Dynamic straightness			2 µm		
	Dynamic parallelism	6.6 µm			10 µm	
	Motor	Type/Shaft numbers 5-phase stepper / □28 double shafts Brand/ Model Sanyo / SH5281-7211				
	Connector	Driver brand/Model Please refer to motor / driver cross-reference table (page E3) Stage side connector 15-pin male end connector D-SUB Controller side connector 15-pin female end connector D-SUB (optional)				
Sensor	Origin sensor	Photoelectric sensor EE-SX4134				
	Limit sensor					
	Origin approximation sensor					
	Power voltage	24V±10%				
	Control output	NPN open collector output under 24V 8mA				
Output control	Testing (sensing) : output transistor OFF (closed)					

* GMT motorized stage is equipped with D-SUB connector as the standard one which is available to be changed to HRS or NJC on request as per reference stated on P.171
* In case HRS connection cable is required, please consult to your regional sales.

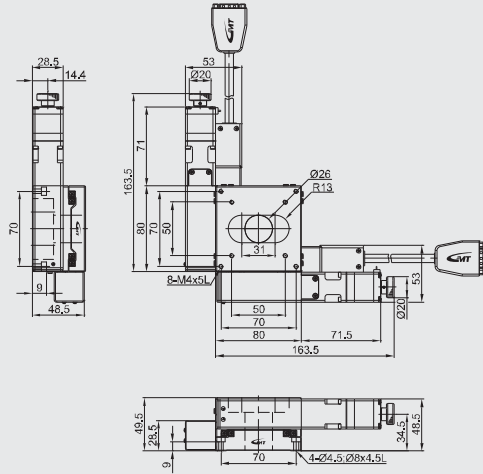
XY axis



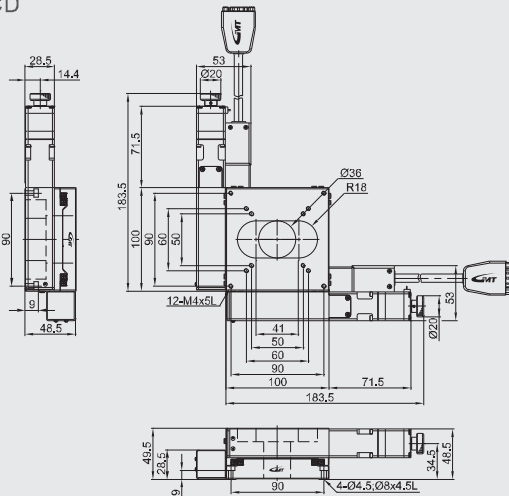
AYC6020-A2PR-CD



AYC8030-A2PR-CD



AYC10040-A2PR-CD



AYC12050-A2PR-CD

