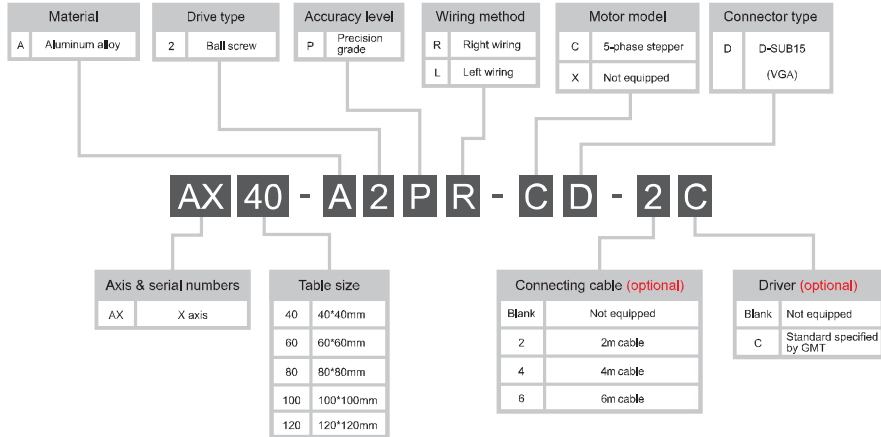


Model description

AX series



| Model Number | | AX40-A2PR-CD | AX60-A2PR-CD | AX80-A2PR-CD | AX100-A2PR-CD | AX120-A2PR-CD |
|---------------------------|--|--|-------------------------------------|---------------------------------|-------------------------------------|---------------|
| Mechanical specifications | Table size | 40X40 mm | 60X60 mm | 80X80 mm | 100X100 mm | 120X120 mm |
| | Travel stroke | 15 mm | 20 mm | 30 mm | 40 mm | 70 mm |
| | Drive type | Ball screw Ø6 lead 1mm | | Ball screw Ø8 lead 1mm | | |
| | Rail | Crossed-roller guiding | | | | |
| | Stage material/Surface treatment | Aluminum alloy / Black anodized | | | | |
| Precision specifications | Main unit weight | 0.37 Kg | 0.64 Kg | 1.2 Kg | 1.65 Kg | 2.6 Kg |
| | Coupling | FAMMS12-3*5 | FAMS16-5*5 | FAMMS16-5*5 | | |
| | Accuracy level | P : Precision grade | | | | |
| | Wiring method | R : Right wiring | | | | |
| | Resolution (pulse) | Full / Half | | 2 µm / 1 µm | | 10 µm |
| | Maximum speed (full step) | | | 10 mm / sec | | |
| | Positioning precision | | | 5 µm | | |
| | Repeatability precision | | | ±0.5 µm | | |
| | Load capacity | 6 Kg | | 21 Kg | | 25 Kg |
| | Missed step | | | 1 µm | | |
| Electrical specifications | Parallelism | | | 20 µm | | |
| | Dynamic straightness | | | 2 µm | | |
| | Dynamic parallelism | 6.6 µm | | 10 µm | | |
| | Motor | Type/Shaft numbers | 5-phase stepper / □28 double shafts | | 5-phase stepper / □42 double shafts | |
| | Brand/ Model | Sanyo / SH5261-7211 | | Sanyo / 103F5510-8211 | | |
| Connector | Driver brand/Model | Please refer to motor / driver cross-reference table (page E3) | | | | |
| | Stage side connector | 15-pin male end connector D-SUB | | | | |
| | Controller side connector | 15-pin female end connector D-SUB (optional) | | | | |
| Sensor | Origin sensor | Photoelectric sensor EE-SX4134 | | | | |
| | Limit sensor | | | | | |
| | Origin approximation sensor | N / A | | Photoelectric sensor EE-SX912-R | | |
| | Power voltage | 24V±10% | | | | |
| | Control output | NPN open collector output under 24V 8mA | | | | |
| Output control | Testing (sensing) : output transistor OFF (closed) | | | | | |

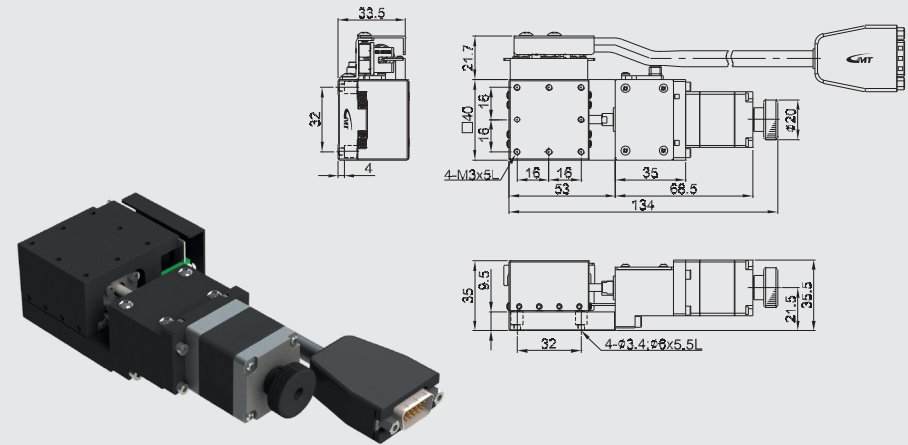
* GMT motorized stage is equipped with D-SUB connector as the standard one which is available to be changed to HRS or NJC on request as per reference stated on P.171

* In case HRS connection cable is required, please consult to your regional sales.

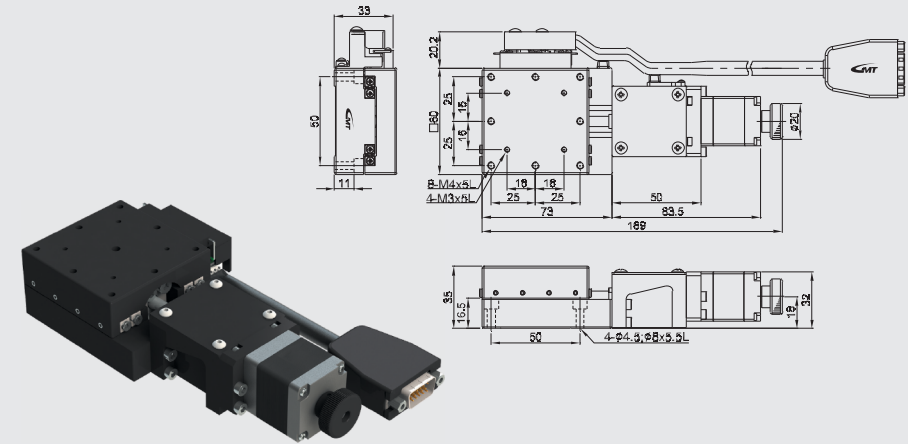
X axis



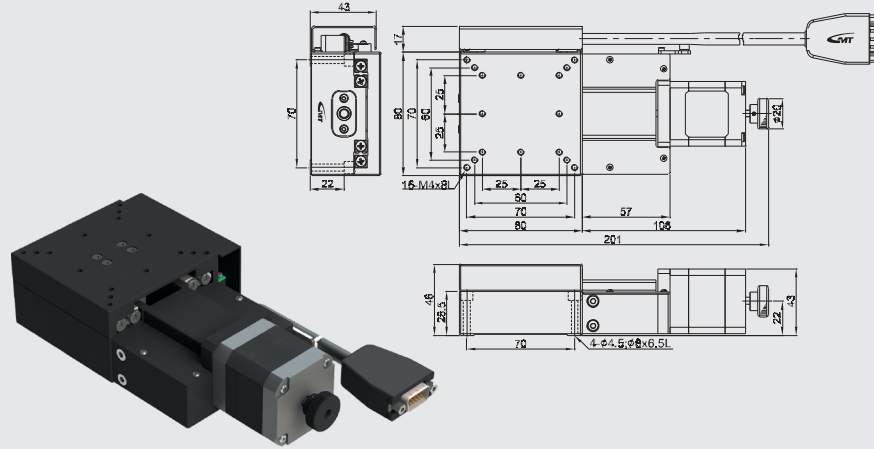
AX40-A2PR-CD



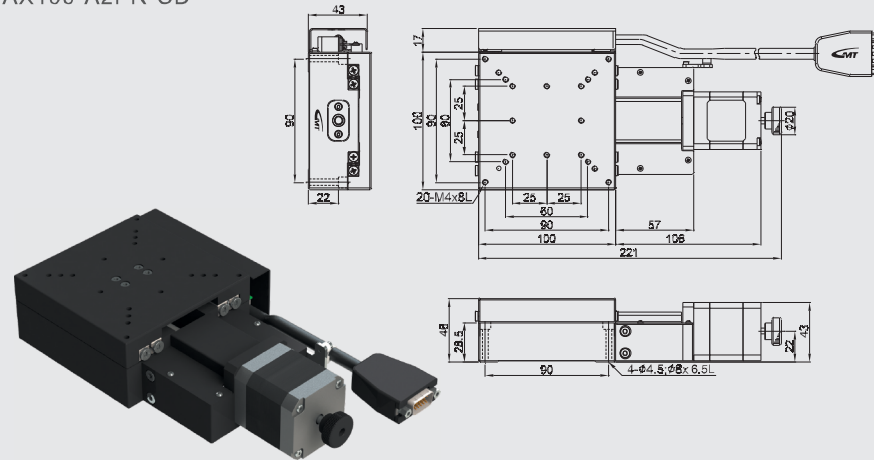
AX60-A2PR-CD



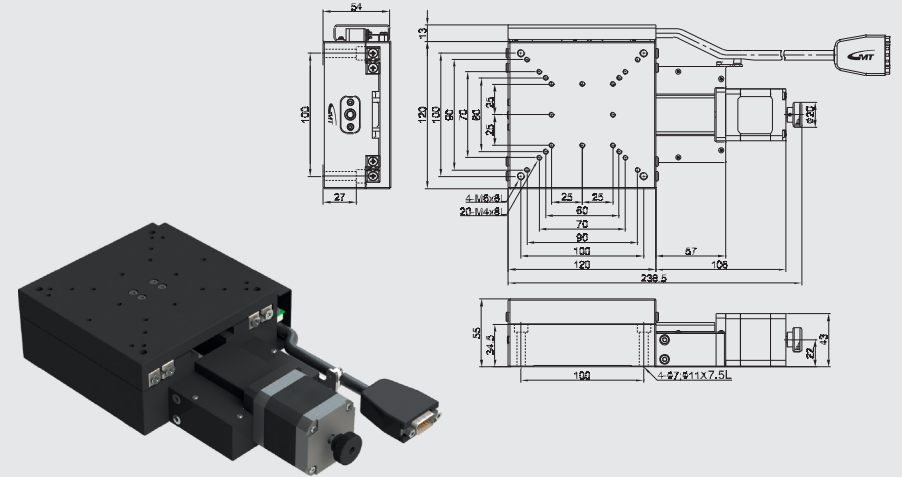
AX80-A2PR-CD



AX100-A2PR-CD



AX120-A2PR-CD



Application examples

