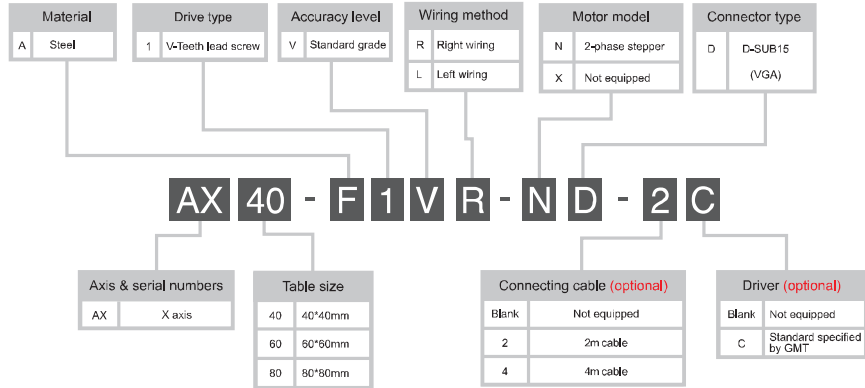


Model description

# AX-F series

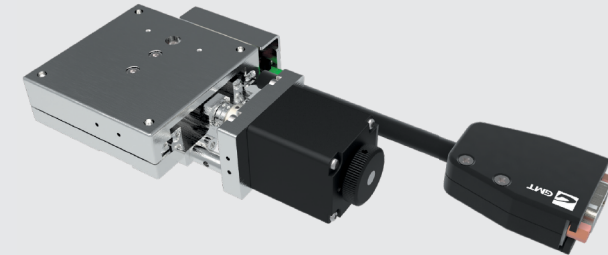


Model description		AX40-F1VR-ND	AX60-F1VR-ND	AX80-F1VR-ND
		AX40-F1VL-ND	AX60-F1VL-ND	AX80-F1VL-ND
Mechanical specifications	Table size	40X40 mm	60X60 mm	80X80 mm
	Travel stroke		15 mm	
	Drive type		V-Teeth lead screw Ø6 lead 1mm	
	Rail		Linear ball guiding	
	Stage material/Surface treatment		Steel / Nickel plating	
	Main unit weight	0.4 Kg	0.7 Kg	1.0 Kg
	Coupling		FAMC13-5*5	
Precision specifications	Accuracy level		V : Standard grade	
	Wiring method		R : Right wiring (Inventory specification) / L : Left wiring	
	Resolution (pulse)	Full / Half	5 µm / 2.5 µm	
	Maximum speed (full step)		6 mm / sec	
	Positioning precision		25 µm	
	Repeatability precision		±2 µm	
	Load capacity	10 Kgf	12 Kgf	14 Kgf
Electrical specifications	Motor	Type/Shaft numbers	2-phase stepper / □28 double shafts	
		Brand/ Model	GMT / 2MS-N28D32A	
		Driver brand/Model	GMT / DS2-022A (Additional options)	
	Connector	Stage side connector	15-pin male end connector D-SUB	
		Controller side connector	15-pin female end connector D-SUB (optional)	
	Sensor	Origin sensor	Photoelectric sensor EE-SX4134	
		Limit sensor		
Power voltage		24V±10%		
Control output		NPN open collector output under 24V 8mA		
Output control		Testing (sensing): output transistor OFF (closed)		

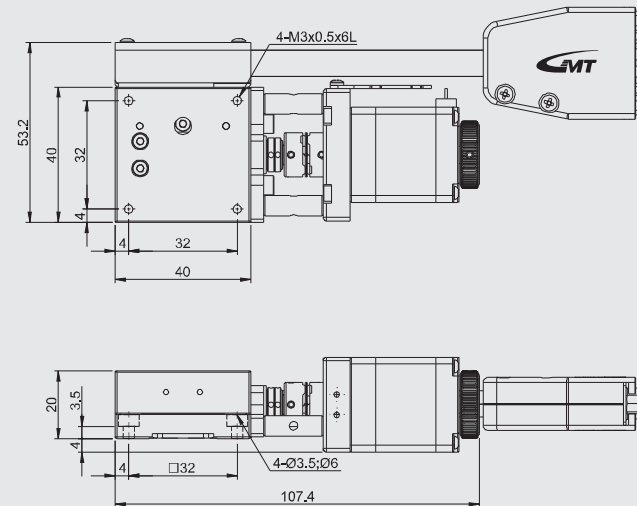
©GMT Standard Motorized Stage series is equipped with D-SUB connector as the standard one which is available to be changed to HRS or NJC on request as per reference stated on P.160.  
 ◻ In case HRS connection cable is required, please consult to your regional sales.



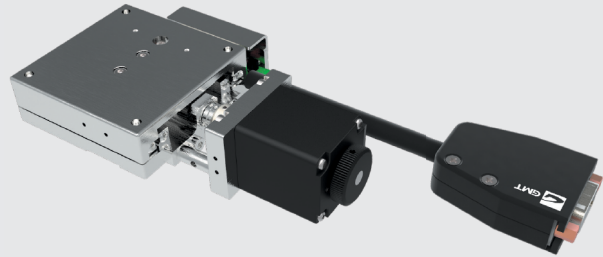
X axis



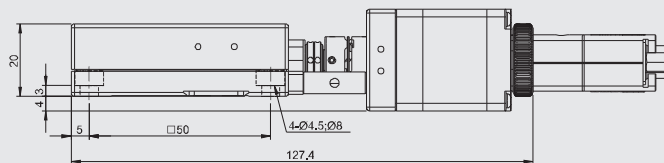
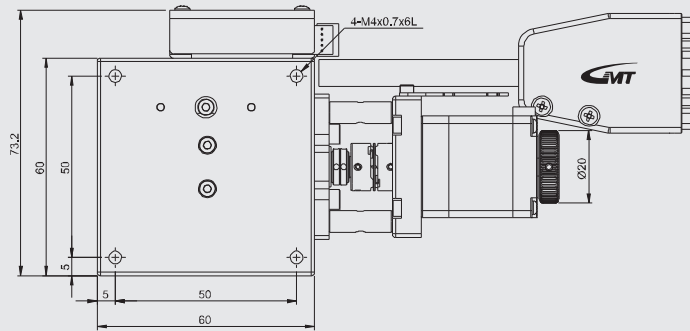
AX40-F1VR-ND



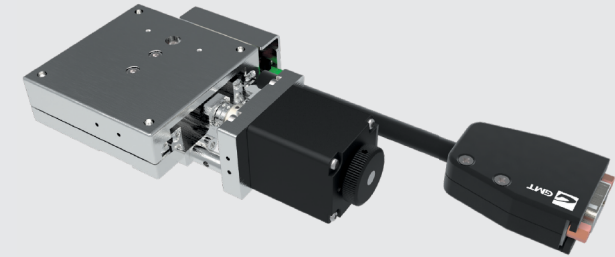
© Photo is AX60-F1VR-ND ◦



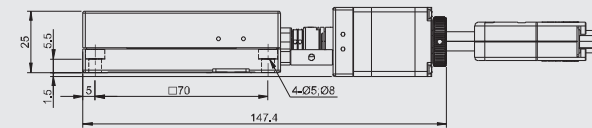
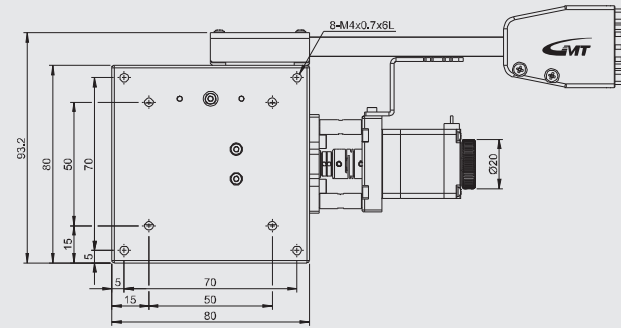
AX60-F1VR-ND



© Photo is AX60-F1VR-ND.



AX80-F1VR-ND



© Photo is AX60-F1VR-ND ◦