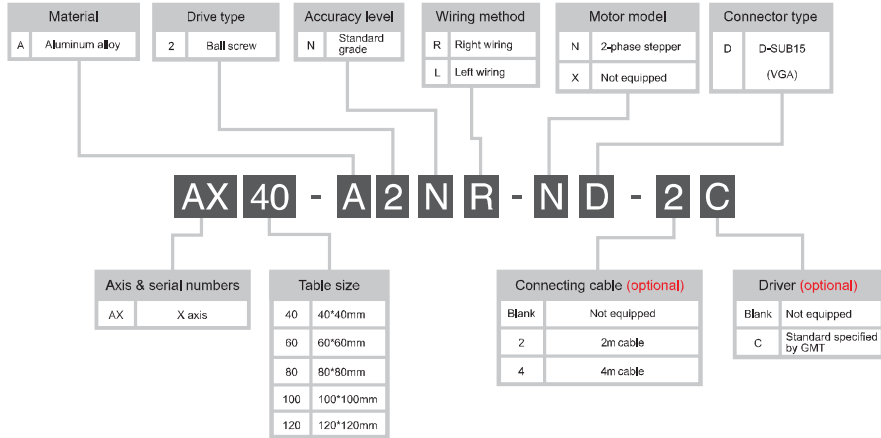


Model description

AX-A series



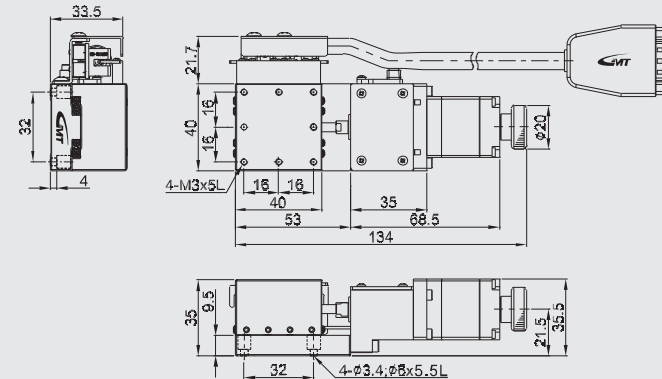
Model description	AX40-A2NR-ND	AX60-A2NR-ND	AX80-A2NR-ND	AX100-A2NR-ND	AX120-A2NR-ND
	AX40-A2NL-ND	AX60-A2NL-ND	AX80-A2NL-ND	AX100-A2NL-ND	AX120-A2NL-ND
Mechanical specifications					
Table size	40X40 mm	60X60 mm	80X80 mm	100X100 mm	120X120 mm
Travel stroke	15 mm	20 mm	30 mm	40 mm	70 mm
Drive type	Ball screw Ø6 lead 1mm		Ball screw Ø8 lead 1mm		
Rail	Crossed-roller guiding				
Stage material/Surface treatment	Aluminum alloy / Black anodized				
Main unit weight	0.37 Kg	0.64 Kg	1.2 Kg	1.65 Kg	2.6 Kg
Coupling	FAMMS12-3*5	FAMS16-5*5	FAMMS16-5*5		
Accuracy level	N : Standard grade				
Wiring method	R : Right wiring (Inventory specification) / L : Left wiring				
Precision specifications					
Resolution (pulse)	Full / Half	5 µm / 2.5 µm			
Maximum speed (full step)	10 mm / sec				
Positioning precision	15 µm				
Repeatability precision	±1 µm				
Load capacity	6 Kgf	21 Kgf	23 Kgf	25 Kgf	
Missed step	2 µm				
Parallelism	30 µm				
Dynamic straightness	3 µm				
Dynamic parallelism	6.6 µm		10 µm		
Electrical specifications					
Motor	Type/Shaft numbers	2-phase stepper / □28 double shafts		2-phase stepper / □42 double shafts	
	Brand/ Model	GMT / ZMS-N28D32A		GMT / ZMS-N42D47A	
Connector	Driver brand/Model	GMT / GTR22G-D (Additional options)			
	Stage side connector	15-pin male end connector D-SUB			
	Controller side connector	15-pin female end connector D-SUB (optional)			
Sensor	Origin sensor	Photoelectric sensor EE-SX4134			
	Limit sensor				
	Power voltage	24V±10%			
	Control output	NPN open collector output under 24V 8mA			
Output control	Testing (sensing): output transistor OFF (closed)				

© GMT Standard Motorized Stage series is equipped with D-SUB connector as the standard one which is available to be changed to HRS or NJC on request as per reference stated on P.160.
 ◊ In case HRS connection cable is required, please consult to your regional sales.

X axis

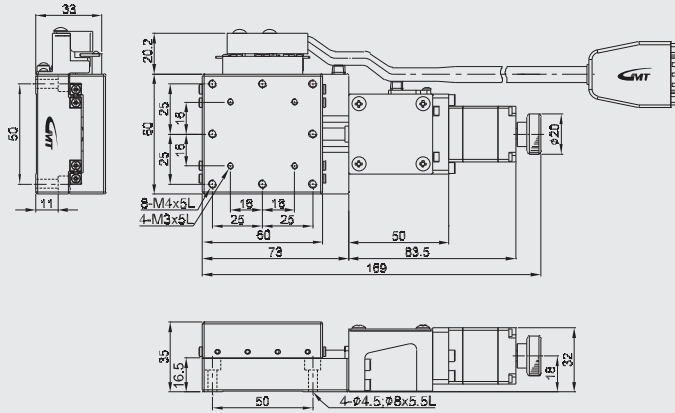


AX40-A2NR-ND

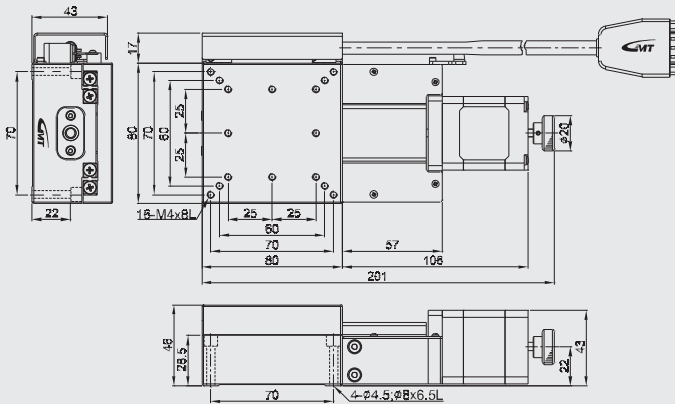


© Photo is AX80-A2NR-ND ◊

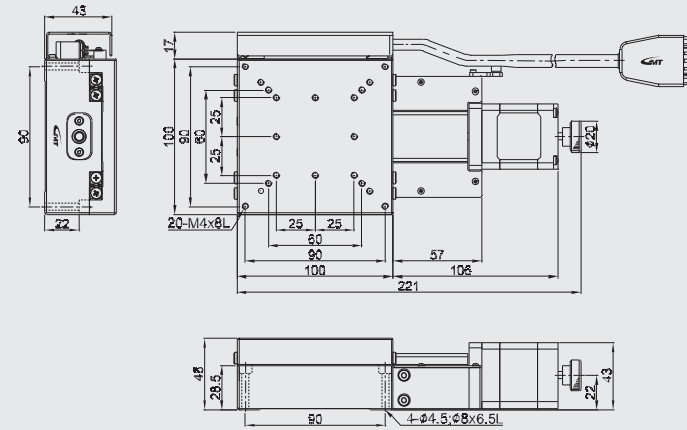
AX60-A2NR-ND



AX80-A2NR-ND



AX100-A2NR-ND



AX120-A2NR-ND

