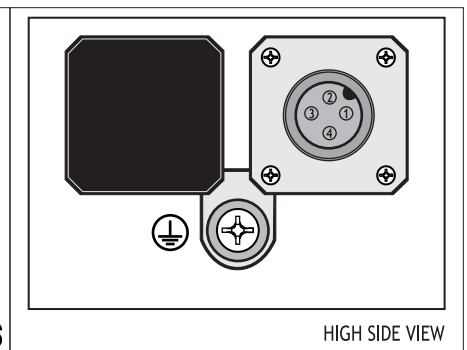
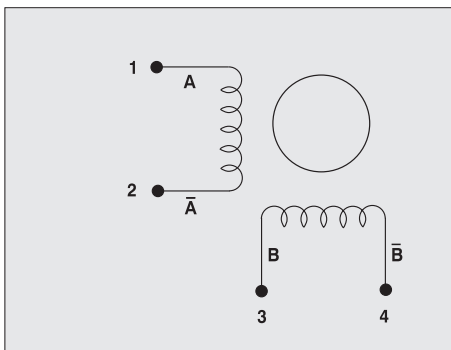


Dimensions in mm.

**FEATURES**  
**CARATTERISTICHE**

MODEL MODELLO		SP 2566-5200
BASIC STEP ANGLE		1.8 ± 0.09°
BIPOLAR CURRENT	(Amp)	3
RESISTANCE	(Ohm)	0.94
INDUCTANCE	(mH)	4.4
BIPOLAR HOLDING TORQUE	(Ncm)	170
ROTOR INERTIA	(Kgm <sup>2</sup> x 10 <sup>-7</sup> )	360
THEORETICAL ACCELERATION	(rad x sec. <sup>-2</sup> )	47200
BACK E.M.F.	(V/Krpm)	55
MASS	(Kg)	1.2
INTERNATIONAL STANDARDS		UL, CSA, CE, RoHS
INSULATION VOLTAGE	(V)	250 V <sub>AC</sub> (350 V <sub>DC</sub> )
PROTECTION DEGREE - INSULATION CLASS		IP65 - F

R.T.A. s.r.l. PAVIA (ITALY) SANYO DENKI CO., Ltd (JAPAN)



Allegato EMC 03-11 (Ed. 01-03-14)

**Suggested driver: contact R.T.A.**



R.T.A. s.r.l.  
Via E. Mattei - Fraz. Divisa  
27020 MARCIGNAGO (PV) ITALY  
Tel. +39.0382.929.855 - Fax +39.0382.929.150  
www.rta.it

R.T.A. Deutschland GmbH  
Bublitz Straße 34  
40599 DÜSSELDORF (Germany)  
Tel. +49.211.749.668.60 - Fax +49.211.749.668.66  
www.rta-deutschland.de

R.T.A. IBERICA-Motion Control Systems S.L.  
C/Generalitat 22, 1º 3º  
08850 GAVA - BARCELONA (Spain)  
Tel. +34.936.388.805 - Fax +34.936.334.595  
www.rta-iberica.es