

User Manual

EM882S

Digital Microstep Drive



Revision 1.0

©2017 Leadshine Technology Co., Ltd.

Address: Floor 11, Block A3, Nanshan iPark, Xueyuan Avenue 1001, Shenzhen, Guangdong, 518055, China

Tel: (86)755-26409254

Fax: (86)755-26402718

Web: www.leadshine.com

Sales: sales@leadshine.com

Support: tech@leadshine.com

Important Notice

Read this manual carefully before any assembling and using. Incorrect handling of products in this manual can result in injury and damage to persons and machinery. Strictly adhere to the technical information regarding installation requirements.

This manual is not for use or disclosure outside of Leadshine except under permission. All rights are reserved. No part of this manual shall be reproduced, stored in retrieval form, or transmitted by any means, electronic, mechanical, photocopying, recording, or otherwise without approval from Leadshine. While every precaution has been taken in the preparation of the book, Leadshine assumes no responsibility for errors or omissions. Neither is any liability assumed for damages resulting from the use of the information contained herein.

This document is proprietary information of Leadshine that is furnished for customer use ONLY. Information in this document is subject to change without notice and does not represent a commitment on the part of Leadshine. Therefore, information contained in this manual may be updated from time-to-time due to product improvements, etc., and may not conform in every respect to former issues.

Record of Revisions

| Revision | Date | Description of Release |
|-----------------|-------------|-------------------------------|
| 1.0 | Oct, 2017 | Initial Release |

Table of Contents

| | |
|--|-----------|
| 1. Introduction..... | 1 |
| 1.1 Features..... | 1 |
| 1.2 Applications..... | 1 |
| 2. Specifications..... | 2 |
| 2.1 Electrical Specifications..... | 2 |
| 2.2 Environment..... | 2 |
| 2.3 Mechanical Specifications..... | 2 |
| 2.4 Elimination of Heat..... | 3 |
| 3. Connection Pin Assignments and LED Indication..... | 3 |
| 3.1 P1 - Control Connector Configurations..... | 3 |
| 3.2 P2 - Fault Output Connector..... | 4 |
| 3.3 P3 - Motor and Power Connector..... | 4 |
| 3.4 P4 - Tuning Port..... | 4 |
| 3.5 Status LED Lights..... | 4 |
| 4. Control Signal and Fault Output..... | 5 |
| 4.1 Control Signal Connection..... | 5 |
| 4.2 Fault Output Connection..... | 5 |
| 5. Stepper Motor Connections..... | 5 |
| 5.1 4-lead Motor Connection (recommended)..... | 5 |
| 5.2 6-lead Motor Connection..... | 6 |
| 5.3 8-lead Motor Connection..... | 6 |
| 6. Power Supply Selection..... | 7 |
| 6.1 Regulated or Unregulated Power Supply..... | 7 |
| 6.2 Power Supply Sharing..... | 7 |
| 6.3 Selecting Supply Voltage..... | 7 |
| 7. DIP Switch Configurations..... | 7 |
| 7.1 Output Current Configuration (SW1-3)..... | 8 |
| 7.2 Idle Current Configuration (SW4)..... | 8 |
| 7.3 Micro Step Configuration (SW5-8)..... | 8 |
| 7.4 Auto-tuning and Motor Model Selection (Rotary Switch)..... | 9 |
| 7.5 Smoothing Filter Time Configuration (ProTuner)..... | 9 |
| 7.6 Activated Pulse Edge Configuration (ProTuner)..... | 9 |
| 7.7 Control Mode Configuration (ProTuner)..... | 9 |
| 8. Wiring Notes..... | 9 |
| 9. Typical Connection..... | 10 |
| 10. Sequence Chart of Control Signals..... | 10 |
| 11. Protection Functions..... | 11 |
| 12. Troubleshooting..... | 12 |
| 13. Warranty..... | 13 |

1. Introduction

The EM882S is a new digital stepper drive based on Leadshine's widely implemented DM stepper drives (10+ millions of units in field). While retaining features of simple design, easy setup, high precision and reliability, Leadshine has also upgraded it by adopting the latest stepper control technology and added additional advanced features for better torque (10-25%), quicker response time, control command smoothing, motor selector, etc.

The EM882S is able to power 2 phase (1.8°) and 4 phase (0.9°) stepper motors smoothly with very low motor heating & noise. It can take 20-80VDC supply voltage and output 0.5 to 8.2A current. All the micro step, output current configurations and motor model selection can be easily done via built in DIP switches. Therefore, the EM882S is an ideal choice for many applications requiring simple step & direction or CW/CCW control of NEMA 23, 24 and 34 stepper motors.

1.1 Features

- Step & direction (PUL/DIR) or CW/CCW (double pulse) control
- 20-80VDC supply voltage
- 200 KHz max pulse input frequency
- 16 microstep resolutions of 400-51,200 via DIP switches, or 200-51,200 via software (increase by 200)
- 8 output current settings of 2.1-8.2A via DIP Switches, or 0.5-8.2A via software (increase by 0.1)
- Configurable control command smoothing for reducing motor vibration
- Idle current reduction to 50% or 100% selection via SW4
- Sensor-less stall detection
- Auto-tuning and motor model selection to match wide-range stepper motors
- Anti-Resonance for optimal torque, extra smooth motion, low motor heating and noise
- Soft-start with no “jump” when powered on
- Fault output
- Over-voltage, over-current protections
- CE certified and RoHS compliant

1.2 Applications

The EM882S stepper drive is designed to power 2 phase (1.8°) or 4-phase (0.9°) NEMA23, 24 and 34 hybrid stepper motors. It can be adopted in many industries (CNC machinery, electronics, medical, automation, packaging...) for applications such as CNC routers, mills, plasma, laser cutters, factory assembly lines, vending machines, etc. Its excellent performance, simple design, and easy setup features make EM882S ideal for many step & direction control type applications.

2. Specifications

2.1 Electrical Specifications

| Parameters | Min | Typical | Max | Unit |
|-------------------------|-----|---------|---------------|------|
| Output Current | 0.5 | - | 8.2 (5.9 RMS) | A |
| Supply Voltage | 20 | 24 - 72 | 80 | VDC |
| Logic signal current | 7 | 10 | 16 | mA |
| Pulse input frequency | 0 | - | 200 | kHz |
| Minimal pulse width | 2.5 | - | - | μs |
| Minimal direction setup | 5.0 | - | - | μs |
| Isolation resistance | 500 | - | - | MΩ |

2.2 Environment

| Cooling | Natural Cooling or Forced cooling | |
|-----------------------|-----------------------------------|---|
| Operating Environment | Environment | Avoid dust, oil fog and corrosive gases |
| | Ambient Temperature | 0 — 65°C (32 - 149°F) |
| | Humidity | 40 — 90%RH |
| | Operating Temperature | 0 — 50°C (32 - 122°F) |
| | Vibration | 10-50Hz / 0.15mm |
| Storage Temperature | -20°C — 65°C (-4°F - 149°F) | |
| Weight | Approx. 500g (1.1 oz) | |

2.3 Mechanical Specifications

(unit: mm [1inch=25.4mm])

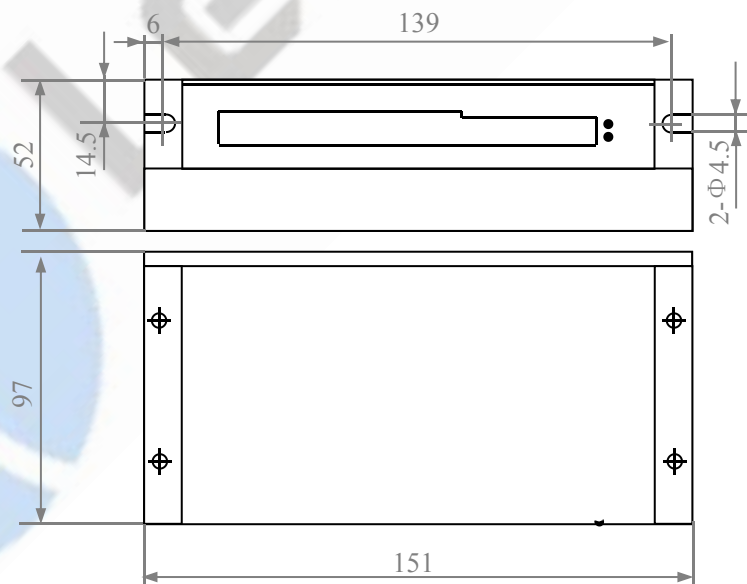


Figure 1 Mechanical specifications

* Side mounting recommended for better heat dissipation

2.4 Elimination of Heat

- EM882S's working temperature is less than 60°C (140°F)
- It is recommended to use automatic idle-current mode to reduce motor heating. That means set the SW4 pin of DIP switch at "OFF" position.
- It is recommended to mount the drive vertically to maximize heat sink area. Use forced cooling method to cool if necessary.

3. Connection Pin Assignments and LED Indication

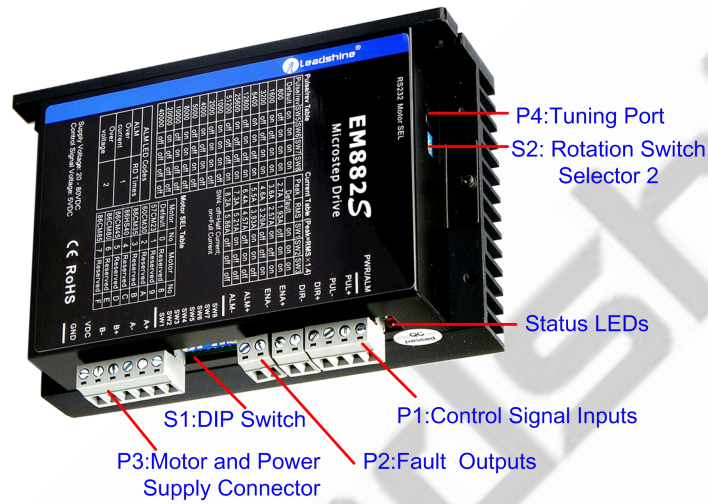


Figure 2 Connectors, DIP switches, and LED locations

The EM882S has 4 connectors P1, P2, P3 and P4, 2 DIP switch S1 and rotation switch S2. P1 is for control signal connections, P2 is for fault output, P3 is for motor and power connection, P4 is for fine tuning.

3.1 P1 - Control Connector Configurations

| PIN | Details |
|--------------------|--|
| PUL+ (CW+) | <u>Pulse and Direction Connection:</u> (1) Optically isolated, high level 4.5-5V, low voltage 0-0.5V (2) Maximum 200 KHz input frequency (3) The width of PUL signal is at least 2.5μs, duty cycle is recommended 50% (4) Single pulse (step & direction) or double pulse (CW/CCW) is set by Leadshine ProTuner (5) DIR signal requires advance PUL signal minimum 5 μs in single pulse mode (6) The voltage of control signal is 5V, need to connect a 2K resistance when it is 24V |
| PUL- (CW-) | |
| DIR+ (CCW+) | |
| DIR- (CCW-) | |
| ENA+ | |
| ENA- | <u>Enable Connection: Optional.</u> (1) Optically isolated, differential. (2) Disable the drive by 4.5-5.0V input connection; enable the drive by 0-0.5V connection(default no connection) (3) ENA signal requires advance DIR signal minimum 5μs in single pulse mode (4) Enable time to be at least 200ms |



Notes: (1) shield cables are required for P1; (2) don't tie P1/P2 cables and P3/P4 cables together.

3.2 P2 - Fault Output Connector

| Pin | Details |
|------|---|
| ALM+ | <u>Fault Output Connection:</u> Optional. (1) Maximum 24V/80mA output when over-voltage and over-current error protections activated. (2) Sinking or sourcing. (3) The resistance between ALM+ and ALM- is low impedance as default, and will change to high when the drive goes into error protection. |
| ALM- | |

3.3 P3 - Motor and Power Connector

| PIN | Details |
|------|--|
| A+ | Connect to motor A+ wire |
| A- | Connect to motor A- wire |
| B+ | Connect to motor B+ wire |
| B- | Connect to motor B- wire |
| +VDC | Connect to power supply positive connection. Suggest 24-72VDC power supply voltage |
| GND | Connect to power supply ground connection. |



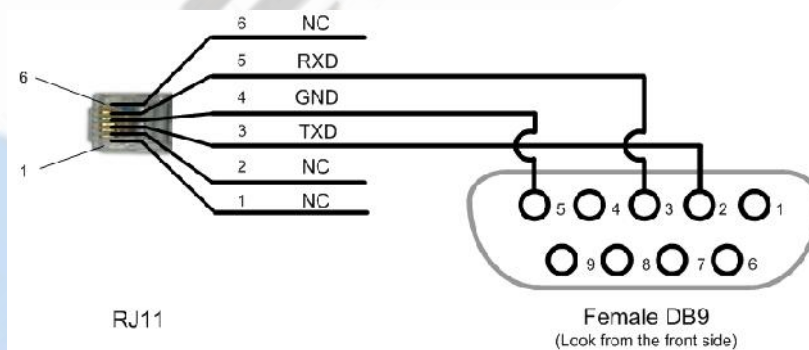
Warning: Don't plug/unplug P3 connector to avoid drive damage or injury while powered on.

3.4 P4 - Tuning Port

EM882S has a tuning port with RS232 to modify the drive parameters, it's only for tuning, not for equipment control because neither precision nor stability is sufficient. If you need a field bus drive, use a Leadshine RS485 or EtherCAT type drives:

(<http://www.leadshine.com/ProductSubType.aspx?type=products&category=stepper-products&producttype=stepper-drives&subtype=network-stepper-drives>)

The interface definition is as follows:



3.5 Status LED Lights

There are two LED lights for EM882S. The GREEN one is the power indicator which should be always on in normal circumstance. The RED one is a drive status indication light, which will be OFF while working normally but ON and flash 1 or 2 times in a 3-second period in the case of enabled over-current or over-voltage protection.

4. Control Signal and Fault Output

4.1 Control Signal Connection

The EM882S can accept differential or single-ended control signals (pulse, direction, and enable) in open-collector or PNP connection through the P1 connector (figure 2). It is recommend to add an EMI line filter between the power supply and the drive to increase noise immunity for the drive in interference environments.

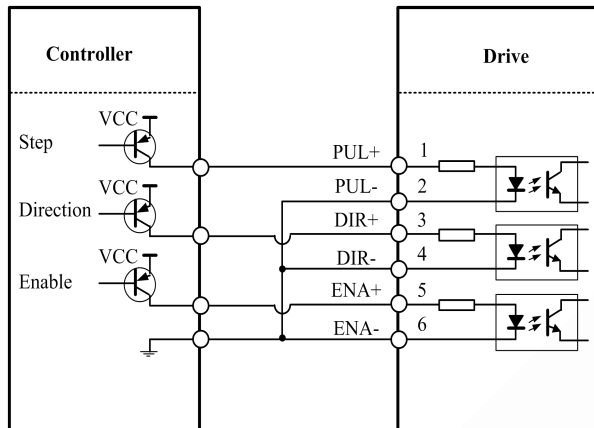


Figure 3 Connections to open-collector signals (Common-anode)

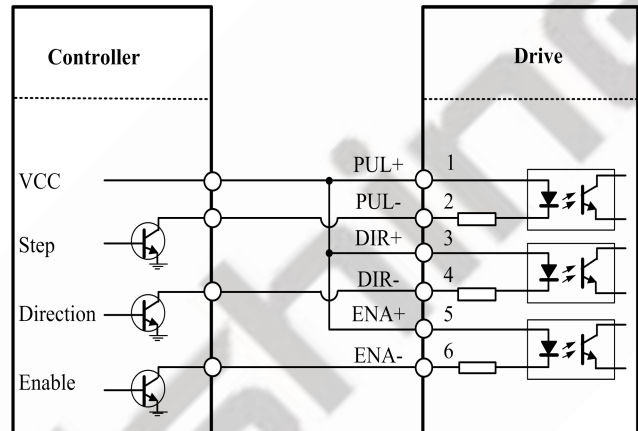


Figure 4 Connections to PNP signals (Common-cathode)

4.2 Fault Output Connection

When over voltage or over current protection happens, EM882S red status LED light will blink and the impedance state between ALM+ and ALM- will change (from low to high or high to low depending on configuration) and can thus be detected. Fault output connection is optional, and it can be connected either in sinking or sourcing.

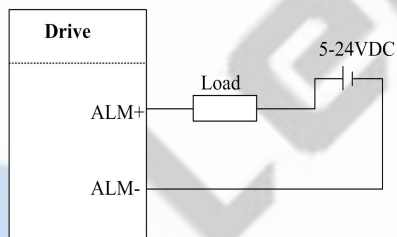


Figure 5 Sinking output

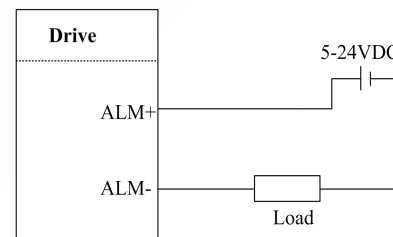


Figure 6 Sourcing output

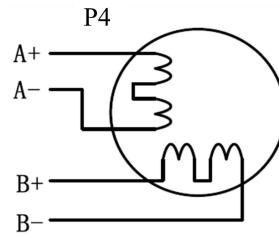
5. Stepper Motor Connections

EM882S can drive 2-phase and 4-phase bipolar hybrid stepper motors with 4, 6, or 8 leads, Leadshine also offers easy-to-use and good-performance motors with 4-lead that have been tested with EM882S:

<http://www.leadshine.com/series.aspx?type=products&category=stepper-products&producttype=stepper-motors&subtype=hybrid-stepper-motors&series=cm>

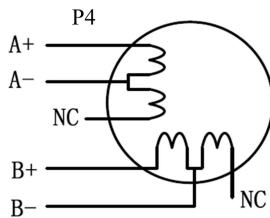
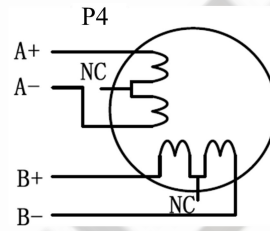
5.1 4-lead Motor Connection (recommended)

4-lead motor is easy to use with excellent performance. Refer to figure 8 for how to connect a 4-lead stepper motor.


Figure 7 4-lead Motor Connection

5.2 6-lead Motor Connection

EM882S can power 6-lead stepper motors through half coil connection (half chopper) or full coil (full copper) connection. The half coil connection only uses one half of the motor's winding and is usually selected in applications requiring high speed but lower torque. The full coil connection uses the full coil winding and is usually selected in high-torque required applications. Refer to figure 8 and 9 for those two connections.

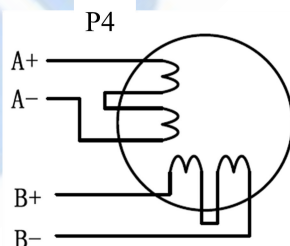
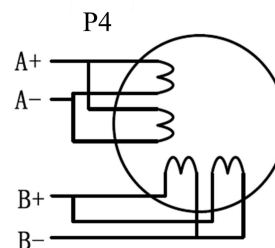

Figure 8 6-lead motor half coil connection

Figure 9 6-lead motor full coil connection

5.3 8-lead Motor Connection

EM882S can power 8-lead in series or parallel connection in series or parallel.

Series connected 8-lead stepper motors are typically implemented in applications which higher torque at lower speed movement is required. Because a stepper motors under series connection has the most inductance, the performance will start to degrade when the motor runs at higher speed. For this connection, it is suggested to set an EM882S's output RMS current to no more than 70% of the stepper motor's phase current to prevent overheating. See the figure 10 for how to connect an 8-lead stepper motor for series connection.

Parallel connected 8-lead stepper motors are typically implemented in applications which higher torque at high speed movement is required. Compared with series connection, a parallel connected stepper motor has lower inductance and therefore have better torque performance at higher speed movement. Although setting the drive output current to 1.4 times of driven motor phase current will get the most torque, it is suggested to set an EM882S's output current (peak of sinusoidal) to no more than 1.2 times the stepper motor's phase current to prevent overheating. Refer to the figure 11 for how to connect an 8-lead stepper motor for parallel connection.


Figure 10 8-lead motor series connection

Figure 11 8-lead motor parallel connection

6. Power Supply Selection

EM882S is designed to power stepper motors (frame sizes NEMA 23 to 34) made by Leadshine or other motor manufacturers. To get optimal performances, it is important to select proper power supply type, voltage, and supply output current. In general power supply voltage determines the high speed performance of a stepper motor, while drive output current determines the driven motor torque output. Higher supply voltage can increase motor speed torque performance, but at the same time result in more noise and motor heating. For low motor speed applications, it is suggested to use lower supply voltage power supplies.

6.1 Regulated or Unregulated Power Supply

Both regulated and unregulated power supplies can be used to power an EM882S. Theoretically unregulated power supplies are preferred due to their ability to withstand back EMF current surge and faster response for current change. If you prefer to use a regulated power supply instead, it is suggested to choose one specially designed for stepper or servo controls such as one Leadshine RPS series power supply:

<http://www.leadshine.com/ProductSubType.aspx?type=products&category=other-products&producttype=power-supplies&subtype=regulated-switching-power-supplies>. In the case when only general purpose switching power supplies are available, choose one with “OVERSIZED” current output rating (for example, using a 4A power supply for 3A stepper motor) to avoid current clamp. On the other hand, if unregulated supply is used, one may use a power supply of lower current rating than that of motor (typically 50% - 70% of motor phase current). The reason is that the drive only draws current from an unregulated power supply during the ON duration of the PWM cycle, but not during the OFF duration.

6.2 Power Supply Sharing

Multiple EM882S drives can share the same power supply, if that power supply has enough capacity. To avoid cross interference, connect each EM882S DIRECTLY to that shared power supply separately instead of connecting those power connectors of drives in daisy-chain connection.

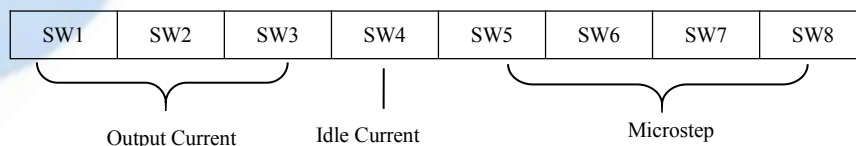
6.3 Selecting Supply Voltage

EM882S's operating voltage is 20-80 VDC. Because of voltage increasing from potential power line voltage fluctuation and back EMF voltage generated during motor deceleration, it is suggested to use a 24-72 VDC power supply.

7. DIP Switch Configurations

The EM882S has one 8-bit DIP switch and one 16-bit rotation switch selector. “Default” means that parameters can be modified by Leadshine ProTuner software.

The DIP switch S1 in Figure 2 and used to configure settings of micro step resolution, output current, and motor standstill current as shown below, the factory setting of SW1-SW8 is **ON, ON, ON, OFF, ON, ON, ON, ON**.



The rotation Switch S2 is located on the top (rotation switch selector 2 in figure 2) for motor selection.

7.1 Output Current Configuration (SW1-3)

The EM882S has 8 output current settings which can be configured through DIP switch SW1, SW2 and SW3.

For a given stepper motor, as normal setting the output current to 1.4 times of motor phase current, will make it output larger torque, but at the same time cause more heating for both the motor and drive. Therefore, it is suggested to set a output current (peak of sinusoidal) to no more than 1.2 times the stepper motor's (for 4-lead motor) phase current to prevent overheating .

The SW1, SW2 and SW3 are used to set the dynamic current. Select a setting closest to your motor's required current. When they are set to **ON, ON, ON**, the output current can be set by Leadshine ProTuner.

| Peak Current | RMS Current | SW1 | SW2 | SW3 |
|--------------|-----------------|-----|-----|-----|
| 2.1A | 1.48A (default) | ON | ON | ON |
| 2.7A | 1.93A | OFF | ON | ON |
| 3.6A | 2.57A | ON | OFF | ON |
| 4.6A | 3.29A | OFF | OFF | ON |
| 5.5A | 3.93A | ON | ON | OFF |
| 6.4A | 4.57A | OFF | ON | OFF |
| 7.3A | 5.21A | ON | OFF | OFF |
| 8.2A | 5.86A | OFF | OFF | OFF |

7.2 Idle Current Configuration (SW4)

The SW4 of an EM882S is used to set output current percentage when motor is standstill. Idle current percentage will be set to 50% at OFF position, and 100% at ON position. When the driven stepper motor is idle (no movement) for 0.4 second, the output current of EM882S will be automatically reduced to the configured percentage.

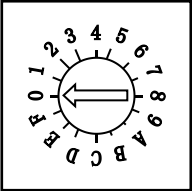
7.3 Micro Step Configuration (SW5-8)

Each EM882S has 16 micro step settings which can be configured through DIP switch SW5, SW6, SW7 and SW8. See the following table for detail. When they are set to **ON, ON, ON,ON**, the microstep can be set via Leadshine ProTuner.

| Micro step | Pulses/Rev. (for 1.8°motor) | SW5 | SW6 | SW7 | SW8 |
|------------|-----------------------------|-----|-----|-----|-----|
| 2 | 400 (default) | ON | ON | ON | ON |
| 4 | 800 | OFF | ON | ON | ON |
| 8 | 1600 | ON | OFF | ON | ON |
| 16 | 3200 | OFF | OFF | ON | ON |
| 32 | 6400 | ON | ON | OFF | ON |
| 64 | 12800 | OFF | ON | OFF | ON |
| 128 | 25600 | ON | OFF | OFF | ON |
| 256 | 51200 | OFF | OFF | OFF | ON |
| 5 | 1000 | ON | ON | ON | OFF |
| 10 | 2000 | OFF | ON | ON | OFF |

| | | | | | |
|-----|-------|-----|-----|-----|-----|
| 20 | 4000 | ON | OFF | ON | OFF |
| 25 | 5000 | OFF | OFF | ON | OFF |
| 40 | 8000 | ON | ON | OFF | OFF |
| 50 | 10000 | OFF | ON | OFF | OFF |
| 100 | 20000 | ON | OFF | OFF | OFF |
| 200 | 40000 | OFF | OFF | OFF | OFF |

7.4 Auto-tuning and Motor Model Selection (Rotary Switch)

| | Motor | Code | Motor | Code |
|---|---------|------|----------|------|
|  | Default | 0 | Reserved | 8 |
| | 57CM23 | 1 | Reserved | 9 |
| | 60CM30X | 2 | Reserved | A |
| | 86CM35 | 3 | Reserved | B |
| | 86HS40 | 4 | Reserved | C |
| | 86CM45 | 5 | Reserved | D |
| | 86CM80 | 6 | Reserved | E |
| | 86CM85 | 7 | Reserved | F |

Auto-tuning means that the current loop parameters are automatically configured when the EM882S is powered on. When the rotary switch is set to “0”, or “8” - “F”, you can turn off auto-tuning and modify current loop parameters through ProTuner

Motor Model Selection means that the current loop parameters and resonant point damping parameters are automatically configured when EM882S is powered on.

Every time change the rotary switch, you need to restart the power supply to activate the setting.

7.5 Smoothing Filter Time Configuration (ProTuner)

EM882S has an advanced feature called control command smoothing to make the input pulse from pulse generator (controller, PLC, etc.) S-curve acceleration, to improve motion smoothness and high-speed start frequency in many circumstances. The Filter Time value must be set to the same for each EM882S in multi-axis applications

7.6 Activated Pulse Edge Configuration (ProTuner)

The factory setting is activated at voltage rising edge, make sure this setting will match the pulse generator (controller, PLC, etc.). When the stepper motors loss step, first this parameter for a test.

7.7 Control Mode Configuration (ProTuner)

The factory setting is single pulse (step & direction, or pulse & direction) control. Please modify this parameter when you need the double pulse (CW/CCW) control mode.

8. Wiring Notes

- In order to improve anti-interference performance of the drive, it is recommended to use twisted pair shield cable.

- To prevent noise incurred in PUL/DIR signal, pulse/direction signal wires and motor wires should not be tied up together. It is better to separate them by at least 10 cm; otherwise the disturbing signals generated by motor will easily disturb pulse direction signals, causing motor position error, system instability and other failures.
- If only one power supply serves multiple EM882S drives, separately connecting the drives to the power supply is recommended instead of daisy-chaining.
- It is prohibited to pull and plug connector P3&P4 while the drive is powered ON, because there is high current flowing through motor coils (even when motor is at standstill). Pulling or plugging connector P4 with power on will cause extremely high back-EMF voltage surge, which may damage the drive.

9. Typical Connection

A complete stepping system should include stepping motor, stepping drive, power supply and controller (pulse generator). A typical connection is shown as figure 12.

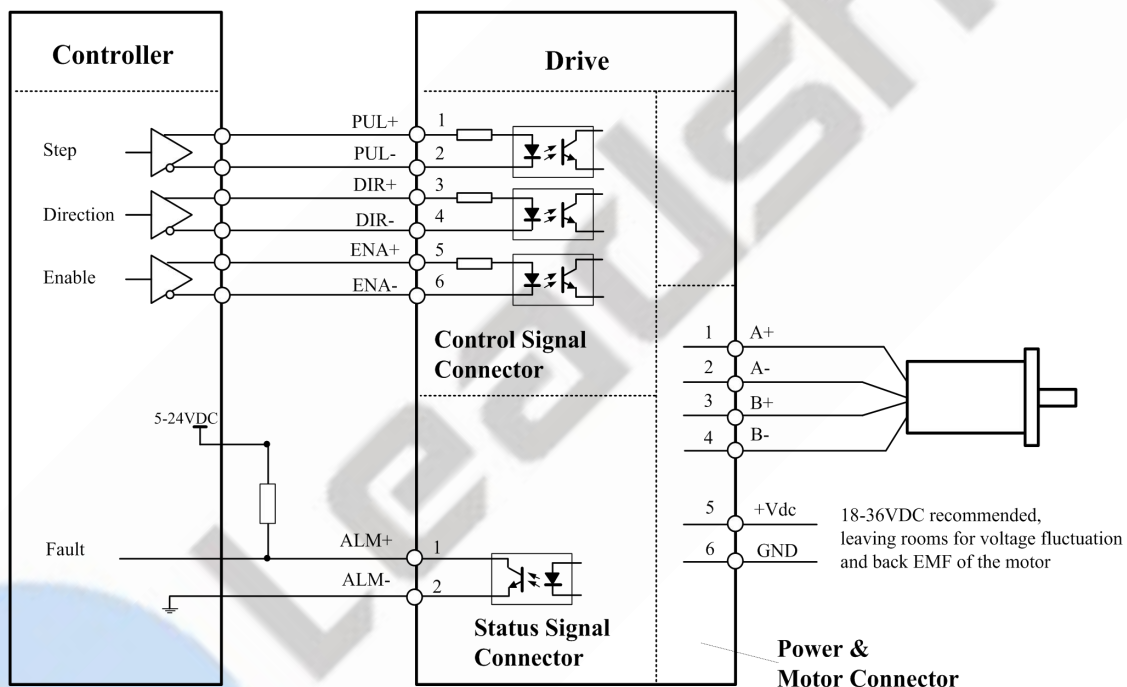
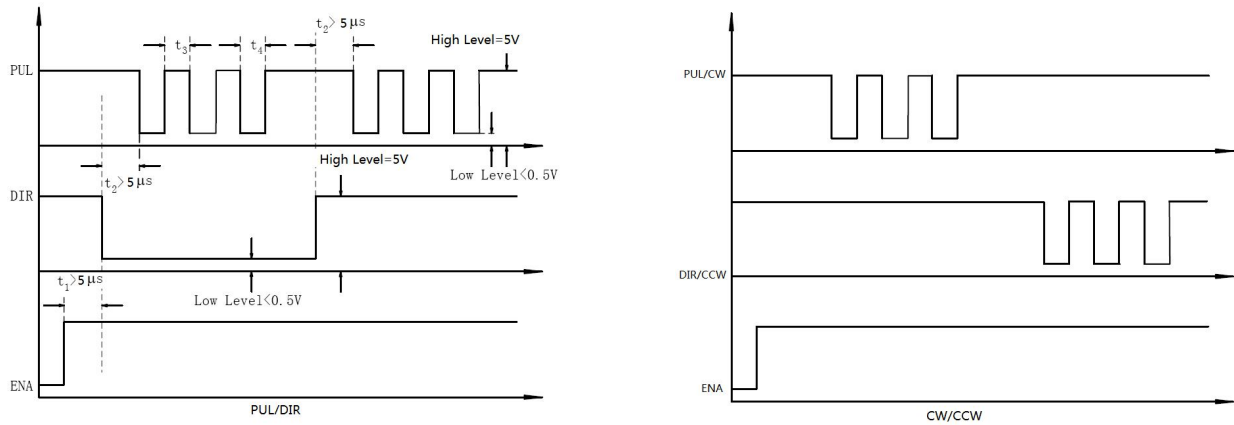


Figure 12 Typical connection

10. Sequence Chart of Control Signals

In order to avoid some fault operations and deviations, PUL, DIR and ENA should abide by some rules, shown as following diagram:


Figure 13 Sequence chart of control signals

Remark:

- t_1 : ENA must be ahead of DIR by at least $5\mu\text{s}$. Usually, ENA+ and ENA- are NC (not connected). See “Connector P1 Configurations” for more information.
- t_2 : DIR must be ahead of PUL effective edge by $5\mu\text{s}$ to ensure correct direction;
- t_3 : Pulse width not less than $2.5\mu\text{s}$, duty cycle recommend 50%
- t_4 : Low level width not less than $2.5\mu\text{s}$

11. Protection Functions

EM882S incorporates are built with over-voltage and over-current error protections. When it is under error protection, the red LED light will blink for 1 or 2 or 4 times in a period of 3 seconds. If fault output connection is connected, the impedance mode between ALM+ and ALM- will be changed (See “Fault Output Configuration” section for detail).


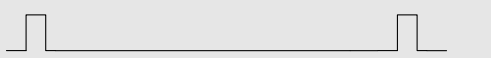


| Priority | Time(s) of Blink | Sequence wave of red LED | Description |
|-----------------|------------------|---|--|
| 1 st | Always on |  | The drive was short-circuited or burned out. |
| 1 st | 1 |  | Over-current protection activated when peak current exceeds the limit. |
| 2 nd | 2 |  | Over-voltage protection activated when drive working voltage is greater than 90VDC |
| 3 rd | 5 |  | Motor stall protection |

Figure 14 Error Protections

When above protections are activated, the motor shaft will be free or the red LED blinks. Reset the drive by restart it to make it function properly after removing above problems.

12. Troubleshooting

In the event that your drive doesn't operate properly, the first step is to identify whether the problem is electrical or mechanical in nature. The next step is to isolate the system component that is causing the problem. As part of this process you may have to disconnect the individual components that make up your system and verify that they operate independently. It is important to document each step in the troubleshooting process. You may need this documentation to refer back to at a later date, and these details will greatly assist our Technical Support staff in determining the problem should you need assistance.

Many of the problems that affect motion control systems can be traced to electrical noise, controller software errors, or mistake in wiring.

Problem Symptoms and Possible Causes

| Trouble | Solution Measures |
|---|---|
| Motor is not rotating | No power, to start power supply |
| | Pulse/revolution setting is wrong |
| | DIP switch current setting is wrong |
| | Fault condition exists or the drive is disabled |
| Motor rotates in the wrong direction | Motor phases may be connected in reverse |
| | Pulse mode may be wrong |
| Red light blinking | Red light blinks 1 time or always on, try not to connect the motor and restart the power supply |
| | Red light blinks 2 times, check the power voltage and restart the power supply |
| | Red light blink 5 times means motor stall |
| Erratic motor motion | Current setting is too small, losing steps |
| | Wrong motor connection or has broken circuit in motor coil. |
| | The current of the control signals is not in the range of 7-15mA |
| | Control signals don't meet the requirements of chapter 10 , check the waveform of the control signals |
| Motor stalls or loss steps | Output current of the drive is too small or motor torque is not enough |
| | Acceleration is set too high |
| | Power supply voltage too low |
| | Modify the activated edge value in the ProTuner or the control signal is interfered with. |
| Excessive motor and drive heating | Inadequate heat sinking / cooling |
| | Automatic current reduction function not being utilized |
| | Reduce output current |

13. Warranty

Twelve Month Warranty

Leadshine Technology Co., Ltd. warrants its products against defects in materials and workmanship for a period of 12 months from shipment out of factory. During the warranty period, Leadshine will either, at its option, repair or replace products which proved to be defective.

Exclusions

The above warranty does not extend to any product damaged by reasons of improper or inadequate handlings by customer, improper or inadequate customer wirings, unauthorized modification or misuse, or operation beyond the electrical specifications of the product and/or operation beyond environmental specifications for the product.

Obtaining Warranty Service

To obtain warranty service, please contact your seller to obtain a returned material authorization number (RMA) before returning product for service.

Shipping Failed Products

If your product fail during the warranty period, please contact your seller for how and where to ship the failed product for warranty or repair services first, you can also e-mail customer service at tech@leadshine.com to obtain a returned material authorization number (RMA) before returning product for service. Please include a written description of the problem along with contact name and address.