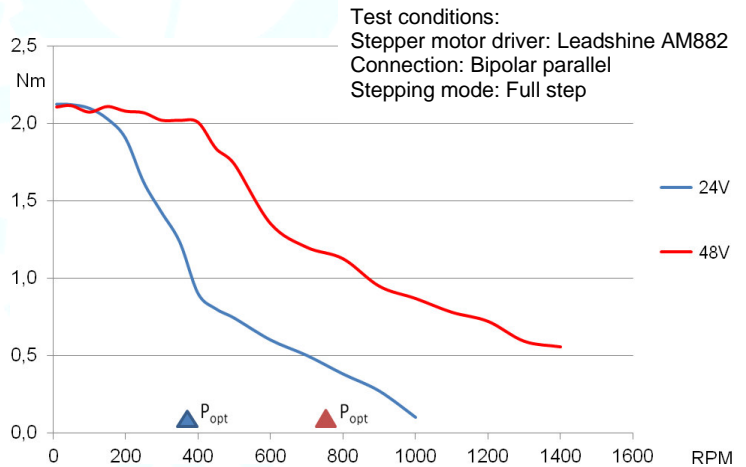
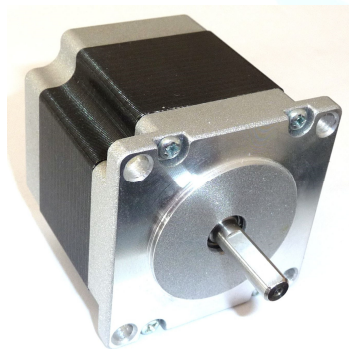
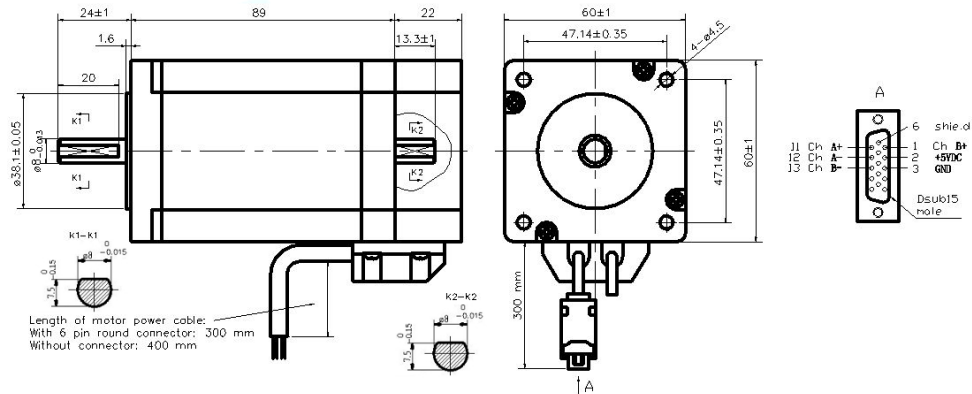


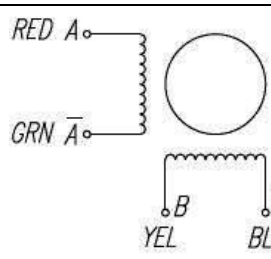
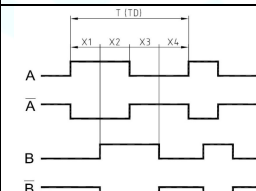
# Hybrid Stepper Motor 60BYGH250D-09R enc1000

Motor with shielded cable, cable grommet and encoder. Optional: 6 pin round connector

## Mechanical Dimensions:



## Electrical Specifications:

Optional: 6 pin round connector	Bipolar	Encoder specification:	
<b>Cable length 30 cm:</b> Pin 1: A (RED) (A+*) Pin 2: A/ (GRN) (A-*) Pin 3: B/ (BLU) (B+*) Pin 4: B (YEL) (B-*) <b>Cable length 500 mm:</b> Pin 5: black wire 0.5 <sup>2</sup> Pin 6: black wire 0.5 <sup>2</sup> * = connection at Leadshine ES-D808 / 1008 drives, rotation CCW !		 <p>Signal level:  <math>V_H \geq 85\% V_{CC}</math>; <math>V_L \leq 0.3 V</math></p>	<b>Encoder cable length 30 cm:</b> Dsub15: Pin 1 : Channel B+ (EA+*) Pin 2 : VCC +5 V Pin 3 : Ground Pin 11: Channel A+ (EB+*) Pin 12: Channel A- (EB-*) Pin 13: Channel B- (EA-*) * = connection at Leadshine ES-D808 / 1008 drives!
Encoder lines per round		1000	
No. of phases	2		
Step Angle	$1.8 \pm 0.09^\circ$		
Rated Voltage (V)	3.07		
Current (A)	4.2		
Resistance ( $\Omega$ )	0.73		
Inductance (mH)	3.3		
Holding Torque coils on DC (Nm)	3.3		
Holding Torque step mode (Nm)	2.3		
Rotor Inertia (gcm <sup>2</sup> )		840	
Insulation Class		B	
Insulation Resistance		100M $\Omega$ , 500VDC	
Weight (kg)		1.7	

03.04.20