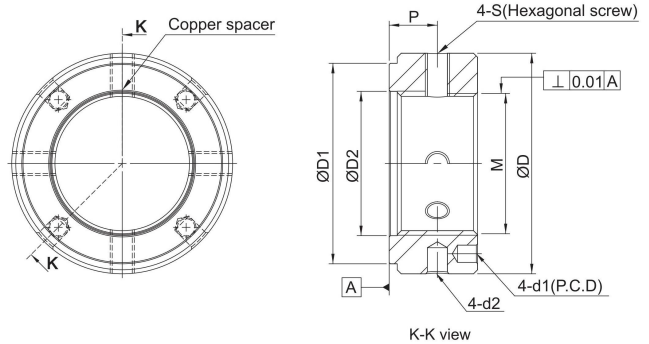


Lock Nut

Lock Nut



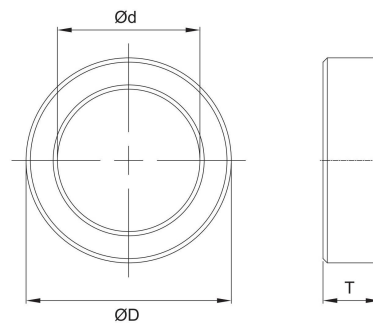
Specification (Material : S50C)

Unit : mm

Model No.		M	T	ØD	ØD1	ØD2	P.C.D	Ød1	Ød2	P	S	Wrench torque (N.cm)
Black Dyed	Ni Plating											
GCLN17-B	GCLN17-N	M17*P1.0	18	37	27	/	27	4.3	4	10	M6	5400
GCLN20-B	GCLN20-N	M20*P1.0	18	40	30	21	30		4	10		7350
GCLN25-B	GCLN25-N	M25*P1.5	20	45	40	26	35		4	12		13200
GCLN30-B	GCLN30-N	M30*P1.5	20	50	40	31	40		5	11		19600
GCLN35-B	GCLN35-N	M35*P1.5	22	55	50	36	45		5	12		29400
GCLN40-B	GCLN40-N	M40*P1.5	22	60	50	41	50		5	12		39200

• Copper space integrated to the set scren.

Space Ring



Specification (Material : S50C)

Unit : mm

Model No.		Ød	ØD	T	Model No.		Ød	ØD	T
Black Dyed	Ni Plating				Black Dyed	Ni Plating			
GSR06-B	GSR06-N	6	9.4	5	GSR20-2-B	GSR20-2-N	20	29.4	15
GSR08-B	GSR08-N	8	11.4	5.5	GSR25-B	GSR25-N	25	31.4	9
GSR10-B	GSR10-N	10	14.4	5.5	GSR25-1-B	GSR25-1-N	25	31.4	15
GSR12-B	GSR12-N	12	15.4	5.5	GSR25-2-B	GSR25-2-N	25	39.4	18
GSR12-1-B	GSR12-1-N	12	14.4	5.5	GSR30-B	GSR30-N	30	39.4	9
GSR15-B	GSR15-N	15	19.4	6	GSR30-1-B	GSR30-1-N	30	39.4	18
GSR15-1-B	GSR15-1-N	15	19.4	10	GSR35-B	GSR35-N	35	44.4	12
GSR17-B	GSR17-N	17	24.4	7	GSR35-1-B	GSR35-1-N	35	48.4	18
GSR17-1-B	GSR17-1-N	17	29.4	15	GSR40-B	GSR40-N	40	48.4	15
GSR17-2-B	GSR17-2-N	17	24.4	10					
GSR20-B	GSR20-N	20	25.4	8					
GSR20-1-B	GSR20-1-N	20	25.4	11					