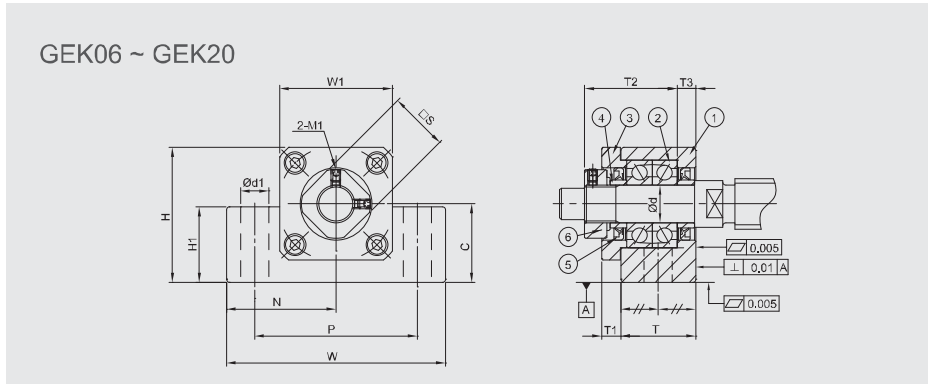


Model No.	Parts no. ①③④⑥	
	Material	Surface Finish
GEK □□ - S □ B	S50C	Black Dyed
GEK □□ - S □ N		Ni-Plating



Specification

Standard Type			Dimensions											
Light pre-loaded	Medium pre-loaded	Hard pre-loaded	Ød	T	T1	T2	T3	W <sub>0.04</sub>	W1	H	H1	N <sub>±0.02</sub>	C <sub>0.02</sub>	P
GEK06-SL □	GEK06-SM □	GEK06-SH □	6	20	5.5	22	3.5	42	20	25	12	21	13	30
GEK08-SL □	GEK08-SM □	GEK08-SH □	8	23	7	26	4	52	27	32	16	26	17	38
GEK10-SL □	GEK10-SM □	GEK10-SH □	10	24	6	29.5	6	70	36	43	24	35	25	52
GEK12-SL □	GEK12-SM □	GEK12-SH □	12	24	6	29.5	6	70	36	43	24	35	25	52
GEK15-SL □	GEK15-SM □	GEK15-SH □	15	25	6	32	5	80	40	50	25	40	30	60
GEK20-SL □	GEK20-SM □	GEK20-SH □	20	42	10	50	10	95	56	58	25	47.5	30	75

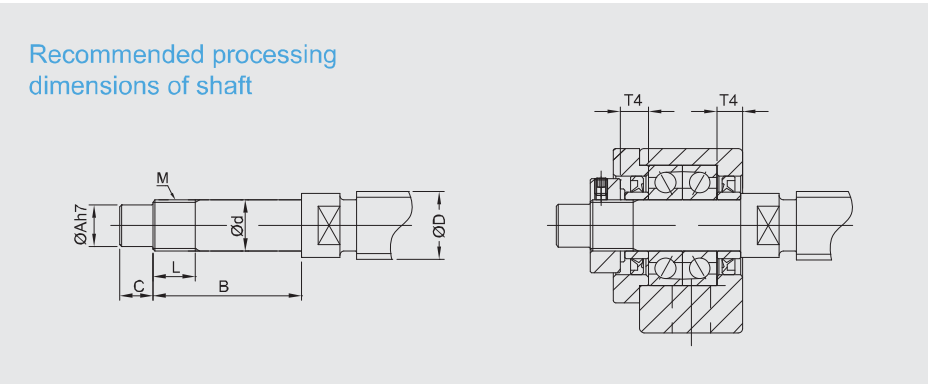
Ordering Example	GEK	10	SL	N	J
	Model No.	Shaft Dia.	Grade/Pre-loaded	Surface finish	Bearing category



Components

No.	Parts	Material	Q'ty
①	Main housing	S50C	1
②	Bearing	SUJ2	1 pair
③	Cover	S50C	1
④	Space ring	S50C	2
⑤	Seal (<Ø8 one seal only)	NBR	2
⑥	Lucknut	S50C	1

- ①②③ are in one unit. No disassemble for accuracy concern.
- Bearing filled with proper lithium soap lubricant and sealed.



Unit : mm

			Recommended processing dimensions of shaft							
Ød1	M1	□S	Ball Screw Shaft O. D.	Shaft End Diameter	Processing sizes of shaft			Nominal thread		Space ring length
			ØD	Ød	ØA	B	C	M	L	T4
5.2	M3	12	5	6 <sup>+0.005</sup> <sub>-0.012</sub>	4	28	8	M6*P0.75	8	5
6.3	M3	14	10 / 12	8 <sup>+0.005</sup> <sub>-0.012</sub>	6	32	9	M8*P1.0	10	5.5
9	M3	16	12 / 14 / 15	10 <sup>+0.005</sup> <sub>-0.012</sub>	8	36	15	M10*P1.0	11	5.5
9	M3	19	14 / 15 / 16	12 <sup>+0.005</sup> <sub>-0.012</sub>	10	36	15	M12*P1.0	11	5.5
11	M3	22	18 / 20	15 <sup>+0.005</sup> <sub>-0.012</sub>	12	40	20	M15*P1.0	13	6
11	M4	30	25 / 28 / 30	20 <sup>+0.005</sup> <sub>-0.012</sub>	17	62	25	M20*P1.0	17	11

• Supported Side spec refer to P.34~P.35