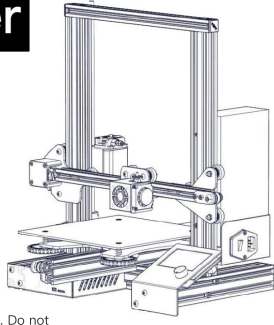




Ender-3 3D Printer

Instructions for assembly

- ◆ This guide is for Ender-3 3D printer.
- ◆ Select the correct input voltage to match your local mains (230V or 115V).
- ◆ Because of software/hardware upgrades and model Differences, new revisions may not be listed in this guide.
- ◆ Please plug the Power cord into a three-hole power jack.
- ◆ Detailed instructions for use are available on the TF card.
- ◆ This machine is equipped with a security protection mechanism. Do not manually move the nozzle and printing platform mechanism manually while booting up, otherwise the device will automatically power off for safety!



V.4.1

Basic Parameters

Model	Ender-3	Working Mode	Online or TF card offline
Molding Tech.	FDM	File Format	STL,OBJ,AMF
Printing Size	220*220*250mm	Slice Software	Cura, Repetier-Host, Simplify3D
Printing Speed	≤180mm/s, Normal 30-60mm/s	Power Supply	Input:AC115/230V 50/60HZ Output:DC 24V
Precision	±0.1mm	Total Power	270W
Slice Thickness	0.1mm-0.4mm	Filament	1.75mm PLA
Nozzle Diameter	Standard 0.4mm	Operating System	Windows XP/Vista/7/10 MAC, Linux
Nozzle Number	1	Language	English
Nozzle Temp.	≤250°C	Resume Print	YES
Bed Temp.	≤100°C	Filament Detector	NO



SHENZHEN CREALITY 3D TECHNOLOGY CO.,LTD.

11F & Room 1201,Block 3,JinChengYuan,Tongsheng Community,
Dalang,Longhua District,Shenzhen,China,518109

Official Website: www.creality.com

Tel:+86 755-85234565

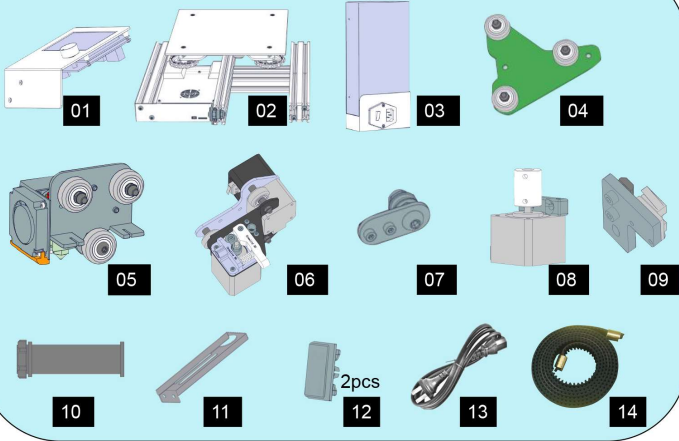
E-mail: info@creality.com

cs@creality.com



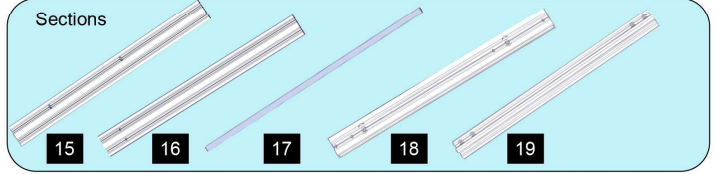
List 1

Assemblies

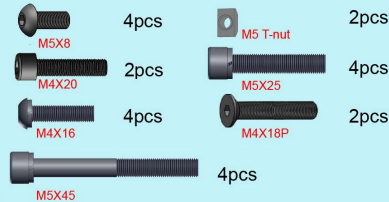


List 2

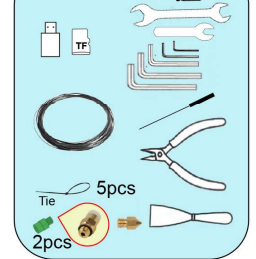
Sections



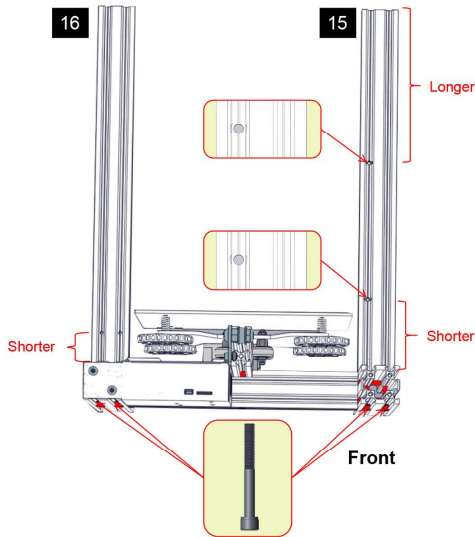
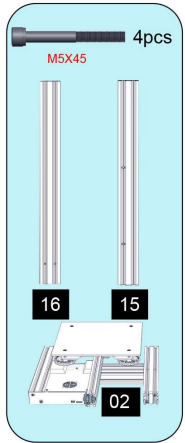
Fasteners



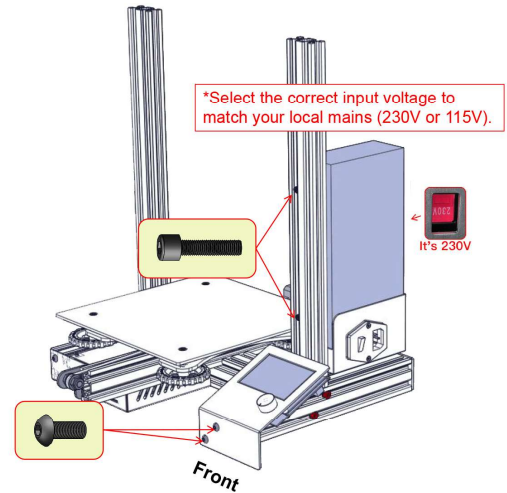
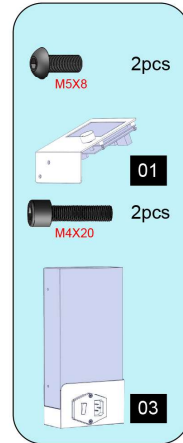
Tools



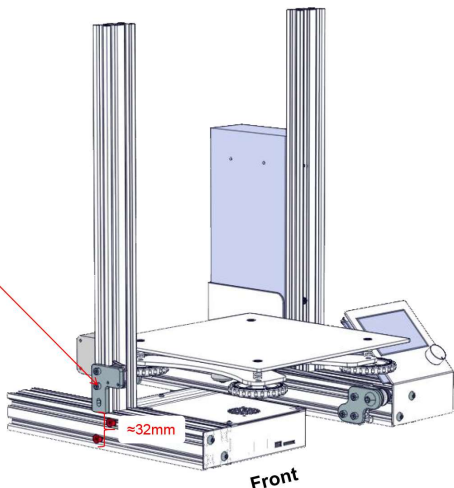
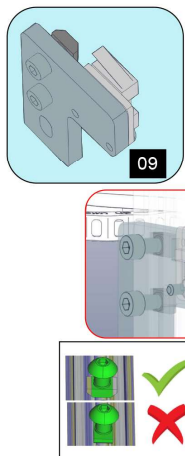
Step 1



Step 2



Step 3



Step 4

