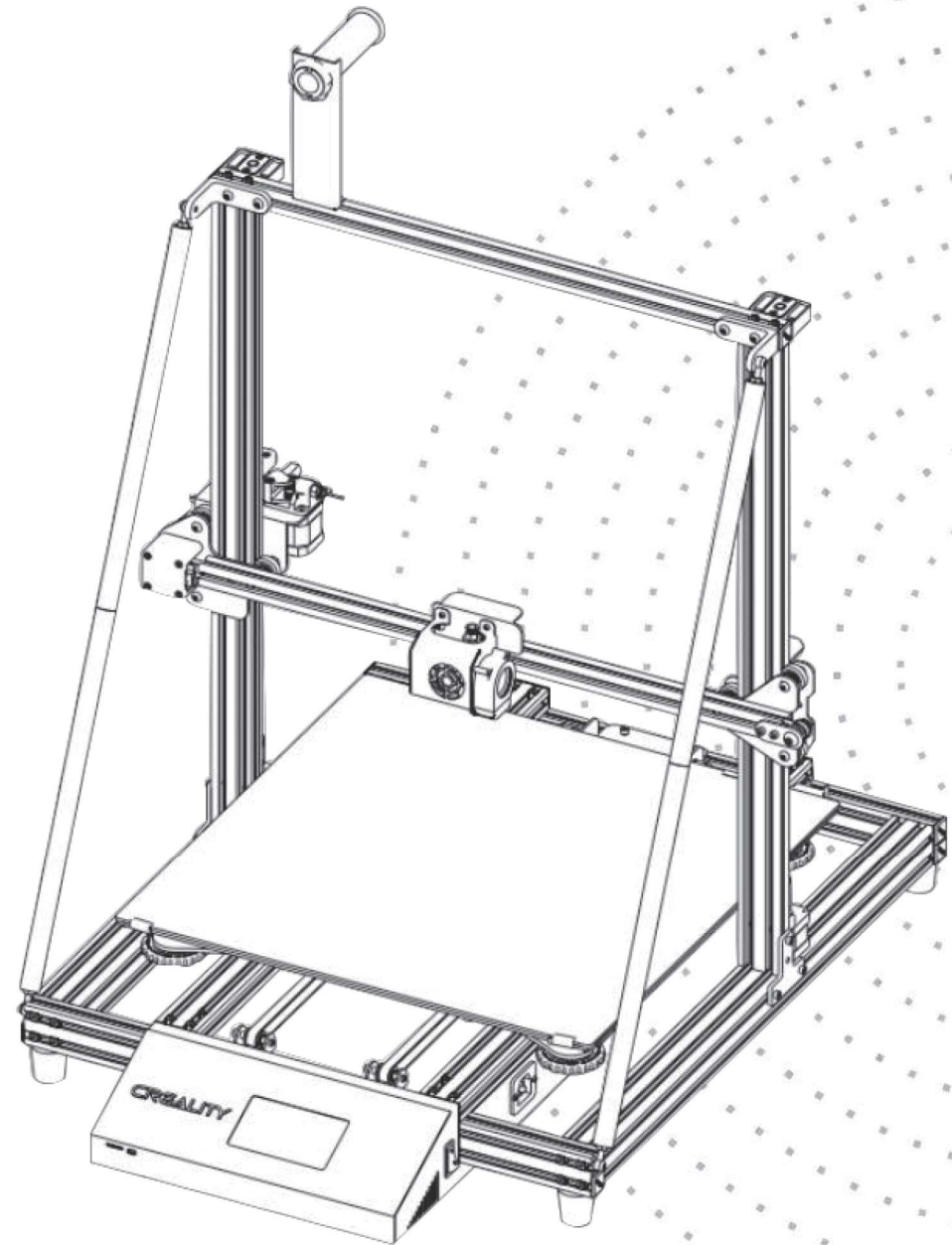


# CREALITY

## CR-10 Max 3D Printer User Manual



This User Manual is prepared for standard CR-10 Max.  
Please plug the power cord into a three-hole power jack.  
Detailed instructions for use are available in the TF card.

V.1.1

# CONTENTS

Dear Consumers,

Thank you for choosing our products. For the best experience, please read the instructions before operating the Printer. Our teams will always be ready to render you the best services. Please contact us via the phone number or e-mail address provided at the end when you encounter any problem with the Printer.

For a better experience in using our product, you can also learn how to use the Printer in the following ways:

View the accompanied instructions and videos in the TF card.

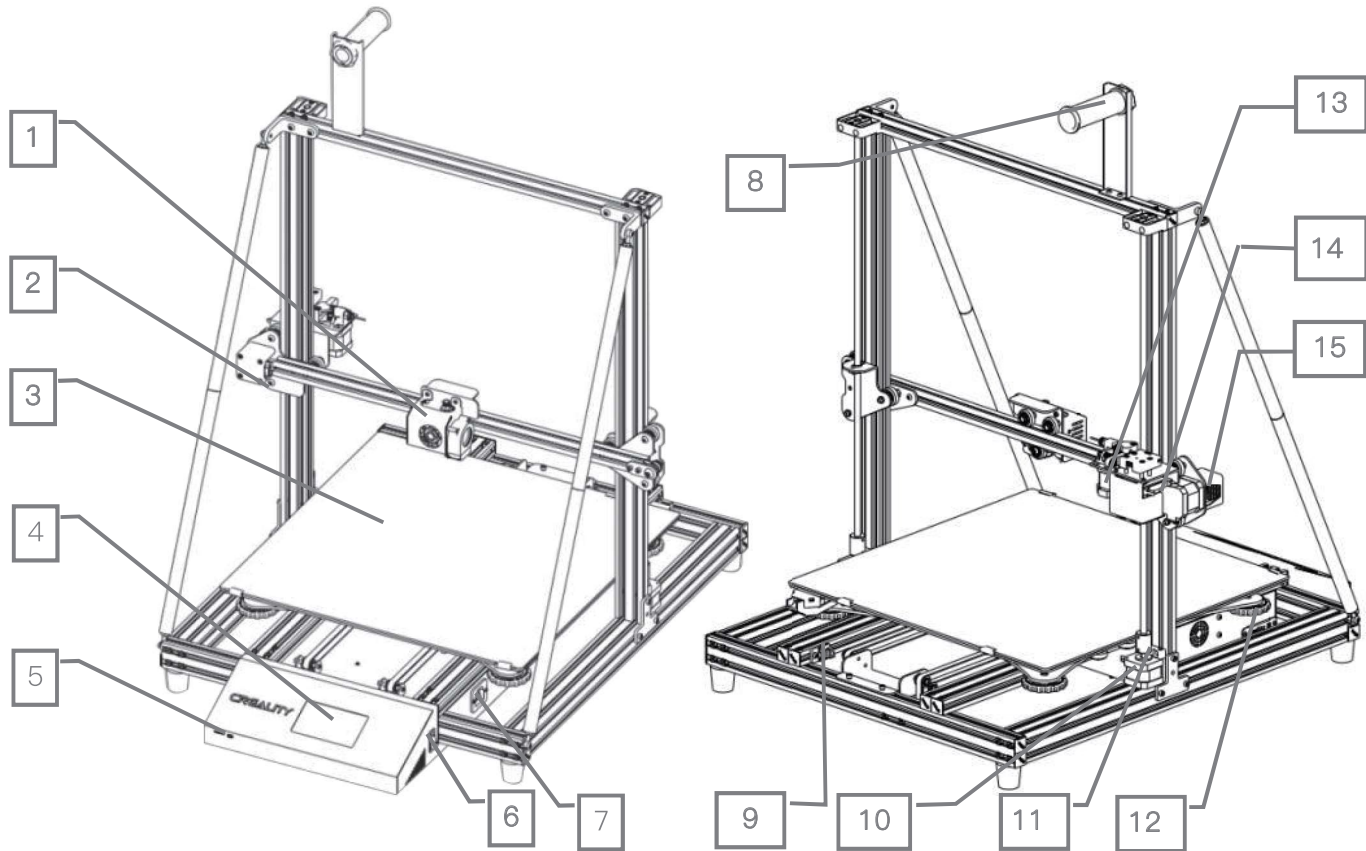
Visit our official website [www.cxsw3d.com](http://www.cxsw3d.com) to find relevant software/hardware information, contact details and operation and maintenance instructions.

## Notes

1. Do not use the printer in any way other than described herein in order to avoid personal injury or property damage.
2. Do not place the printer near any heat source or flammable or explosive object. We suggest placing it in a well-ventilated, shady and low-dust environment.
3. Do not expose the printer to a vibrant or any unstable environment, as this may cause poor print quality.
4. We suggest using filaments recommended by manufacturer to avoid the blocking of extrusion structure and the damage of machine.
5. Do not use any other power cord except the one supplied. Always use a grounded three-prong power outlet.
6. Do not touch the nozzle or hotbed during printing to avoid burns or personal injury.
7. Do not wear gloves or loose clothing when operating the printer. Such cloths may become tangled in the printers moving parts to lead to burns, possible bodily injury or printer damage.
8. When cleaning debris from the printer hotbed, always use the provided tools. Do not touch the nozzle directly when heated. This can cause personal injury.
9. Clean the printer frequently. Always turn the power off when cleaning, and wipe with a dry cloth to remove dust, adhered printing plastics or any other material off the frame, guide rails, or wheels. Use glass cleaner or isopropyl alcohol to clean the print surface before every print for consistent results.
10. Children under 10 years of age should not use the printer without supervision.
11. This machine is equipped with a security protection mechanism. Do not manually move the nozzle and printing platform mechanism manually while booting up, otherwise the device will automatically power off for safety!

Introduction.....	1
General List.....	2
Device Installation.....	3
Cable Connection.....	4
Screen Information.....	5
Loading Filament.....	6
Bed Leveling.....	7
Software Installation....	9
First Printing.....	10
Circuit Wiring.....	11

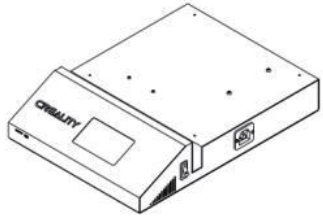
# 1. Introduction



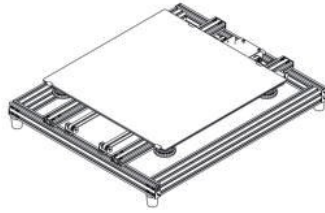
- |                               |                        |                         |
|-------------------------------|------------------------|-------------------------|
| 1. Nozzle kit & auto leveling | 6. Power switch        | 11. Coupling            |
| 2. X-axis limit switch        | 7. Power socket        | 12. XL bed-leveling nut |
| 3. Printing platform          | 8. Filament holder     | 13. Extruder (E) motor  |
| 4. Touch screen               | 9. Y-axis limit switch | 14. Filament detector   |
| 5. TF card slot & USB port    | 10. Z-axis motor       | 15. X-axis motor        |

Parameters	
Model	CR-10 Max
Molding Size	450 x 450 x 470mm
Molding Tech.	FDM
Nozzle Number	1
Slice Thickness	0.1mm-0.4mm
Nozzle Diameter	0.4mm 0.8mm
Precision	±0.1mm
Filament	φ1.75mm PLA
File Format	STL/OBJ/AMF
Working Mode	Online or TF card offline
Slice Software	Creality Slicer/Cura/ Repetier-Host/Simplify3D
Power Supply Spec.	Motherboard 75W, 24V, input: 100-240V AC, output: 24V; Hotbed 750W, 24V, input: 100-240V AC, output : 24V
Machine Power	750W
Hotbed Power	700W
Hotbed Temp.	≤100°C
Nozzle Temp.	≤250°C
Resume Print	Yes
Filament Detector	Yes
Dual Z-Axis	Yes
Auto Leveing	Yes
Language Selection	EN/CN
Operating System	Windows XP/Vista//7/8/10 MAC/Linux

## 2. General List



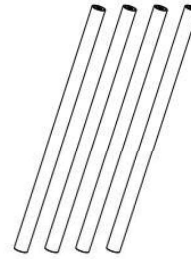
Base Frame



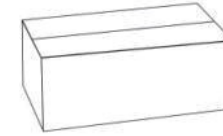
Printing Platform



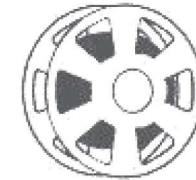
Gantry Frame



Support Rod



Tool Box



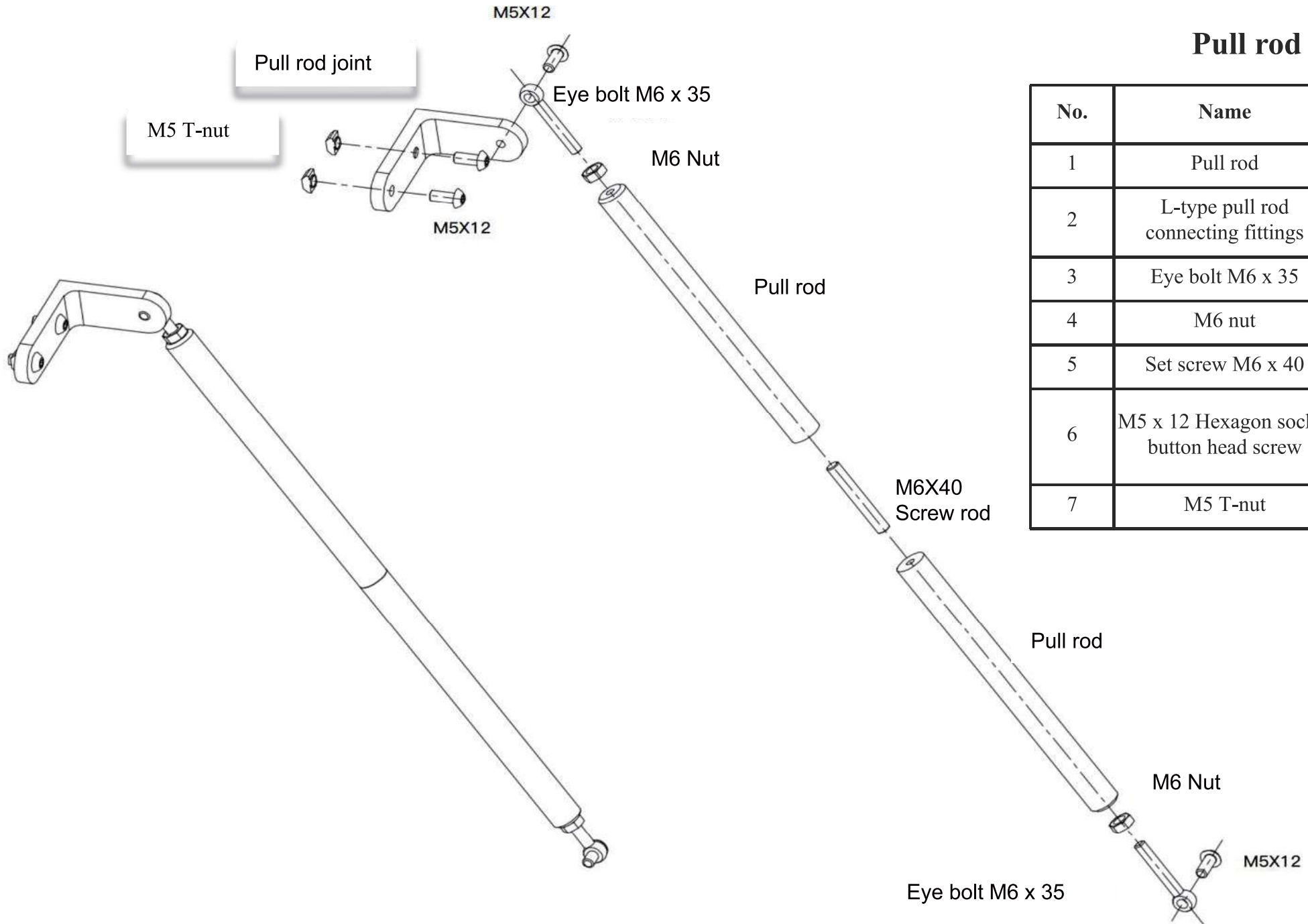
Filament (1kg)

### Tool List

No.	Image	Name	Qty
1		Wrench & Screw Driver	1 Set
2		TF Card & Reader	1 Set
3		Spatula	1
4		Pliers	1
5		Nozzle Cleaner	1
6		Cable Ties	2

No.	Image	Name	Qty
7		Filament Holder	1
8		Filament Holder Tube with Nuts	1
9		Power Cord	1
10		USB Cable	1
11		M4X20 Hexagon Socket Head Cap Screws	10
12		T-type Fixed block	2

No.	Image	Name	Qty
13		Spacer	1
14		Feeler Gauge	1
15		Spare Parts	1 Set
16		M5x45 Sems Screw	4 Sets
17		M4X8 Head Cap Screw and M4 T-Nut	2 Sets

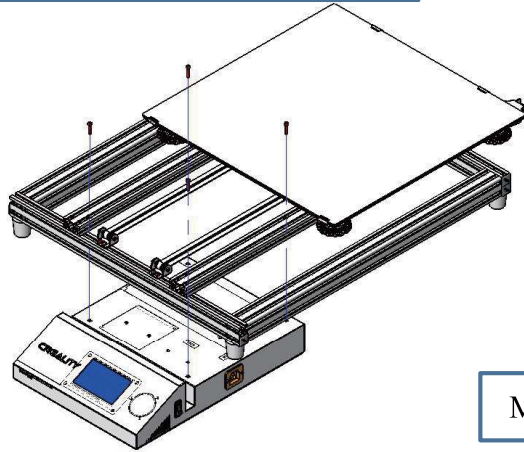


### Pull rod details

No.	Name	Qty
1	Pull rod	4pcs
2	L-type pull rod connecting fittings	2pcs
3	Eye bolt M6 x 35	4pcs
4	M6 nut	4pcs
5	Set screw M6 x 40	2pcs
6	M5 x 12 Hexagon socket button head screw	8pcs
7	M5 T-nut	4pcs

## 3. Device installation

M4X20 Head Cap Screw 4pcs

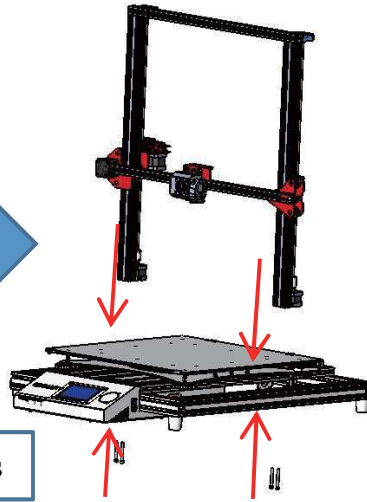


1. Printing Platform Installation

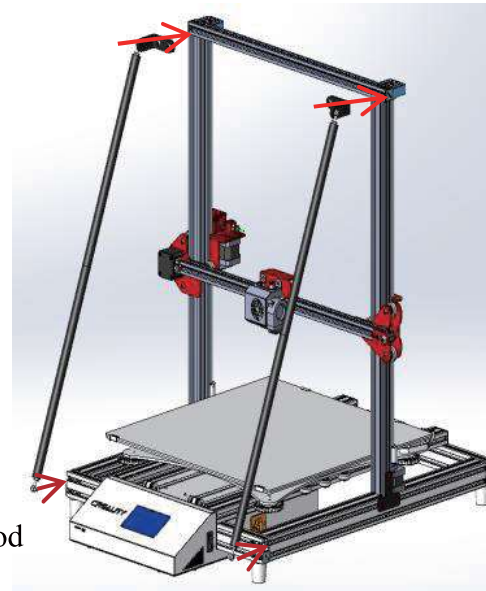
M5X45 4pcs



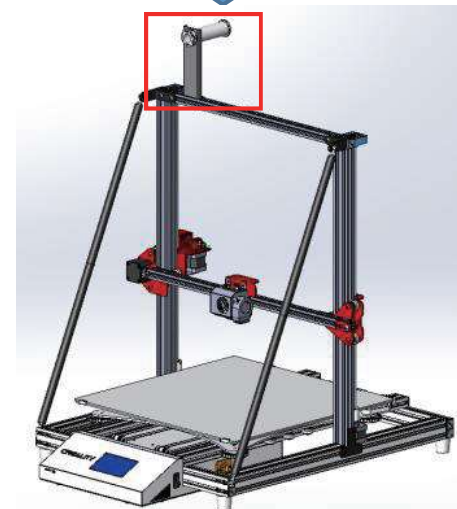
2. Gantry Frame Installation



4. Support Rod Installation

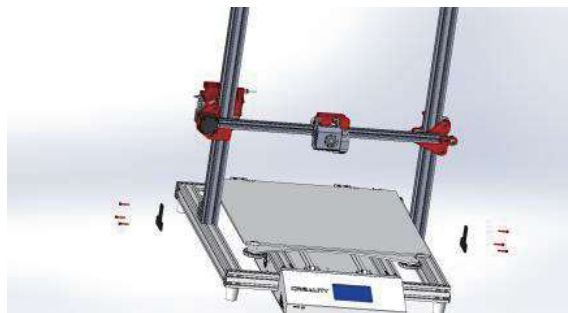


Support Rod 4pcs  
M6 x 40 Screw rod 2pcs  
Eye Bolt M6 x 26 2pcs  
M6 Nut 4pcs  
M5 x 12 Screw 8pcs  
M5 T-Nut 4pcs



5. Filament Holder Installation

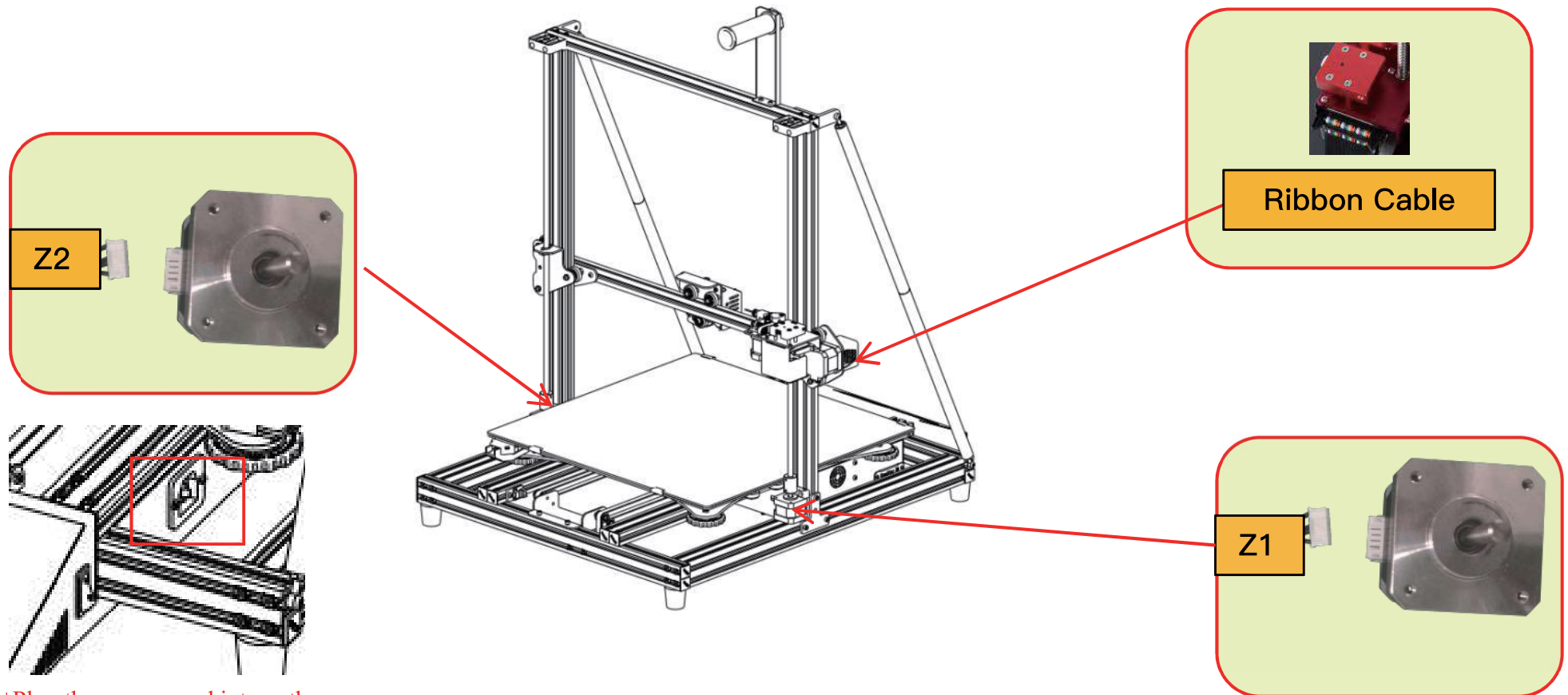
M4 x 8 Head cap screw 4pcs  
M4 T-Nut 2pcs



3. Gantry Frame Fixation

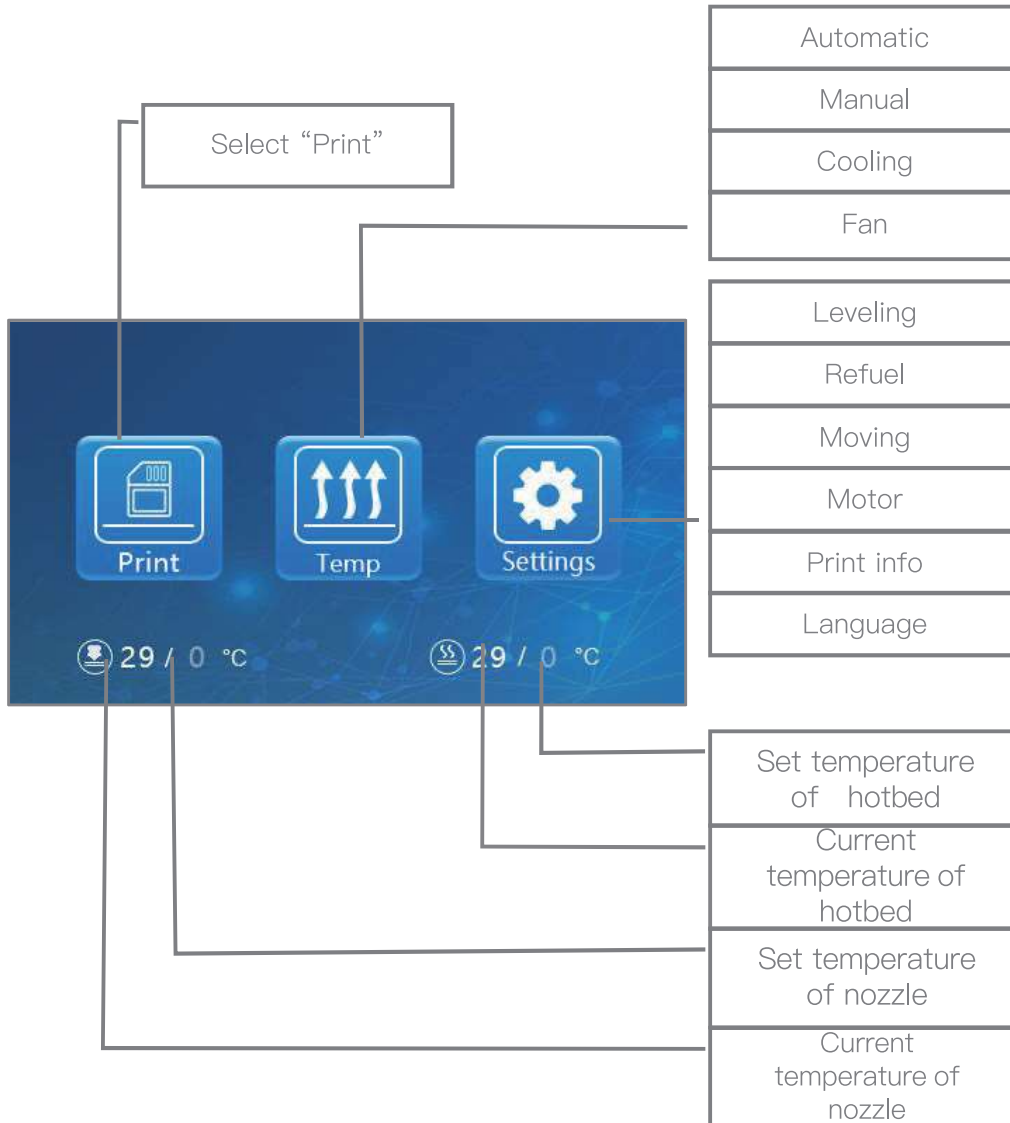
M4 x 20 6pcs  
T block 2pcs

## 4. Cable Connection



\*Plug the power cord into a three-hole power jack.

## 5. Screen Information



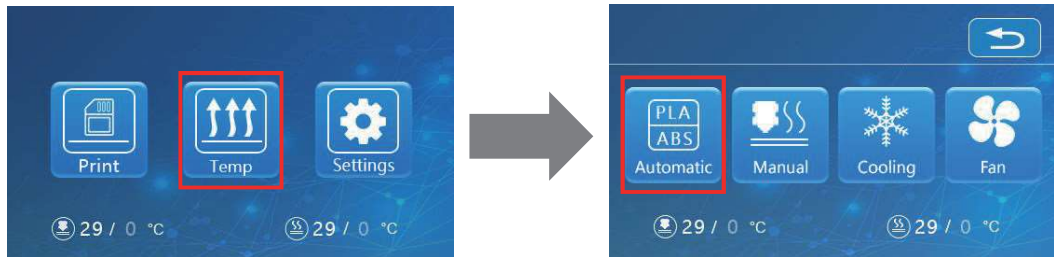
Screen Information					
Main Menu	Sub Menu	Explanation			
Print	TF card	Stop			
		Pause/Continue			
		Adjust	Print speed		
			Nozzle temp.		
			Hot-bed temp.		
			Fan		
Temperature up/Stop	Continue/Stop				
Temp	Automatic	PLA \ABS (195°\240°)			
	Manual	Nozzle preheat			
		Hot-bed preheat			
	Cooling	Yes\No			
	Fan	On\Off			
Setting	Leveling	Z-axis: Z home, +0.1mm, -0.1mm			
		AUX leveling	Please click numbers (①~⑤) to assisted leveling.....		
		AUTO leveling (switch)			
	Refuel	Platform measurement (measurement parameters)			
		Withdraw			
	Moving	Feed			
X-axis		Y-axis	Z-axis	Z home	
Motor off	Yes \No				
Language	English\Chinese				
Printer info	Device model, firmware version, printing size, official website				



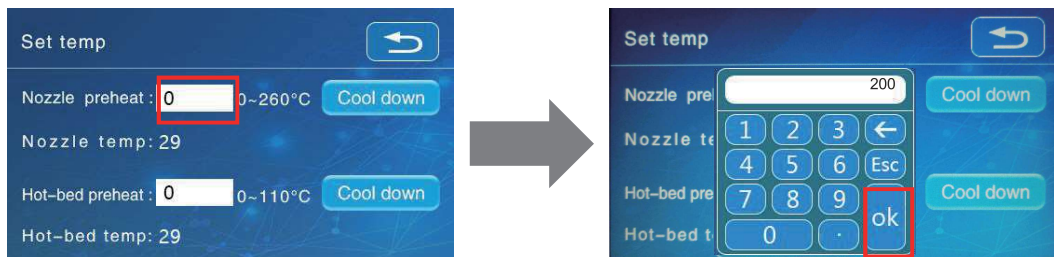
# 6. Loading Filament

## Preheat

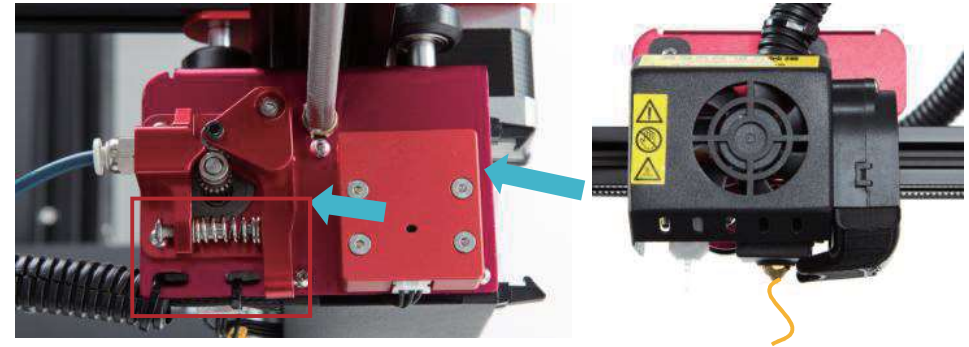
### Method 1.



### Method 2.



## Feeding

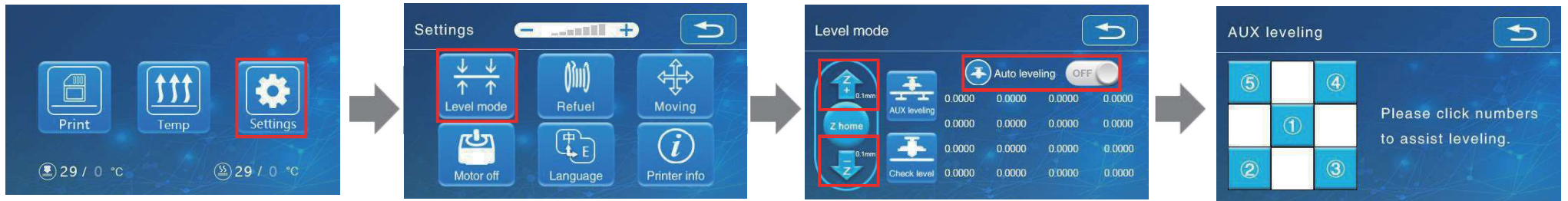


Go through the filament detector to press and hold the extruder spring. Insert the filament to the position of nozzle through the hole on the extruder. Continue feeding until you see filament extrude from the nozzle.

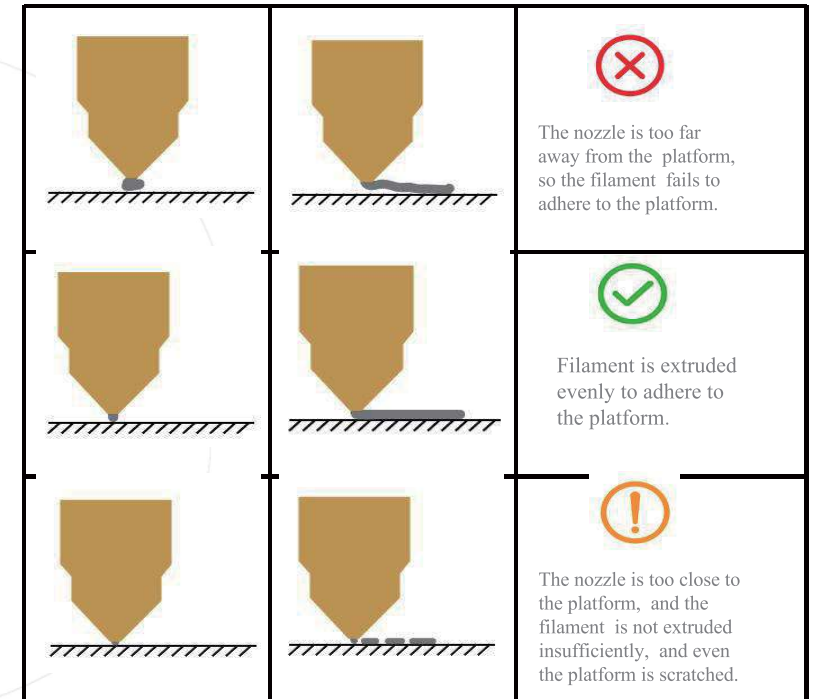
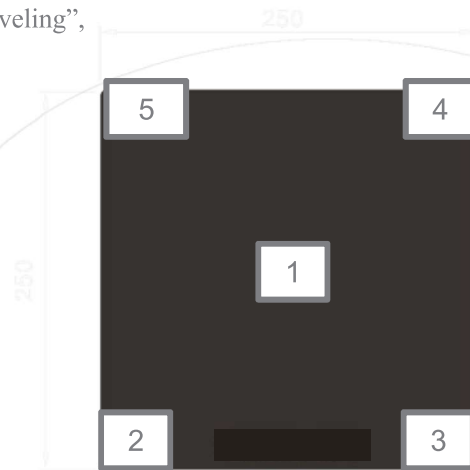
**Replacing Filament During Printing:**

1. Cut the filament near the extruder and feed new filament slowly until new filament is fed into the feeding pipe.
- (Or)
2. Preheat the nozzle and replace the used filament with new filament.

## 7. Bed Leveling



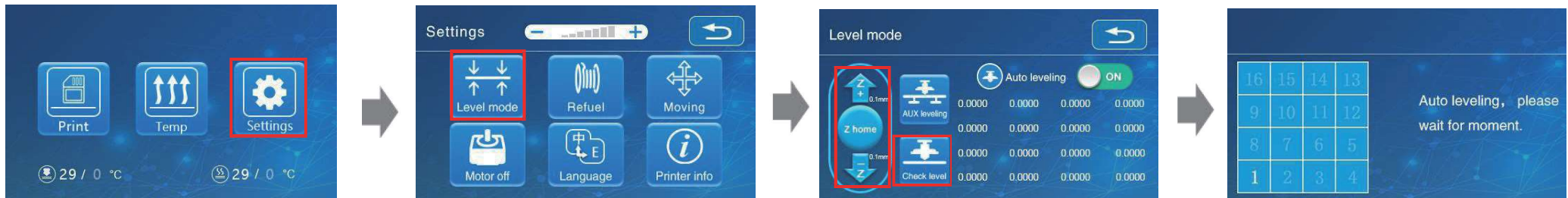
1. Tighten four leveling nuts at the bottom of the platform before initial leveling.
2. Select “Settings” → “Leveling Mode” → “Assisted Leveling”, click number ②.



3. Adjust the platform height by turning the knob underneath. Adjust the printing platform and nozzle to enable the two to just fit each other perfectly with a gap of 0.05mm. Use a piece of A4 paper to assist with the leveling to make sure that the nozzle just scratches on this A4 paper.
4. Adjust all leveling nuts with four corners.
5. Click number ① to test if the platform gap is proper.
6. Repeat above steps once or twice if necessary.

◆ Automatic leveling

If you need to do automatic leveling , you can change to it in the following interface:



Detailed instructions for use are available in the TF card!

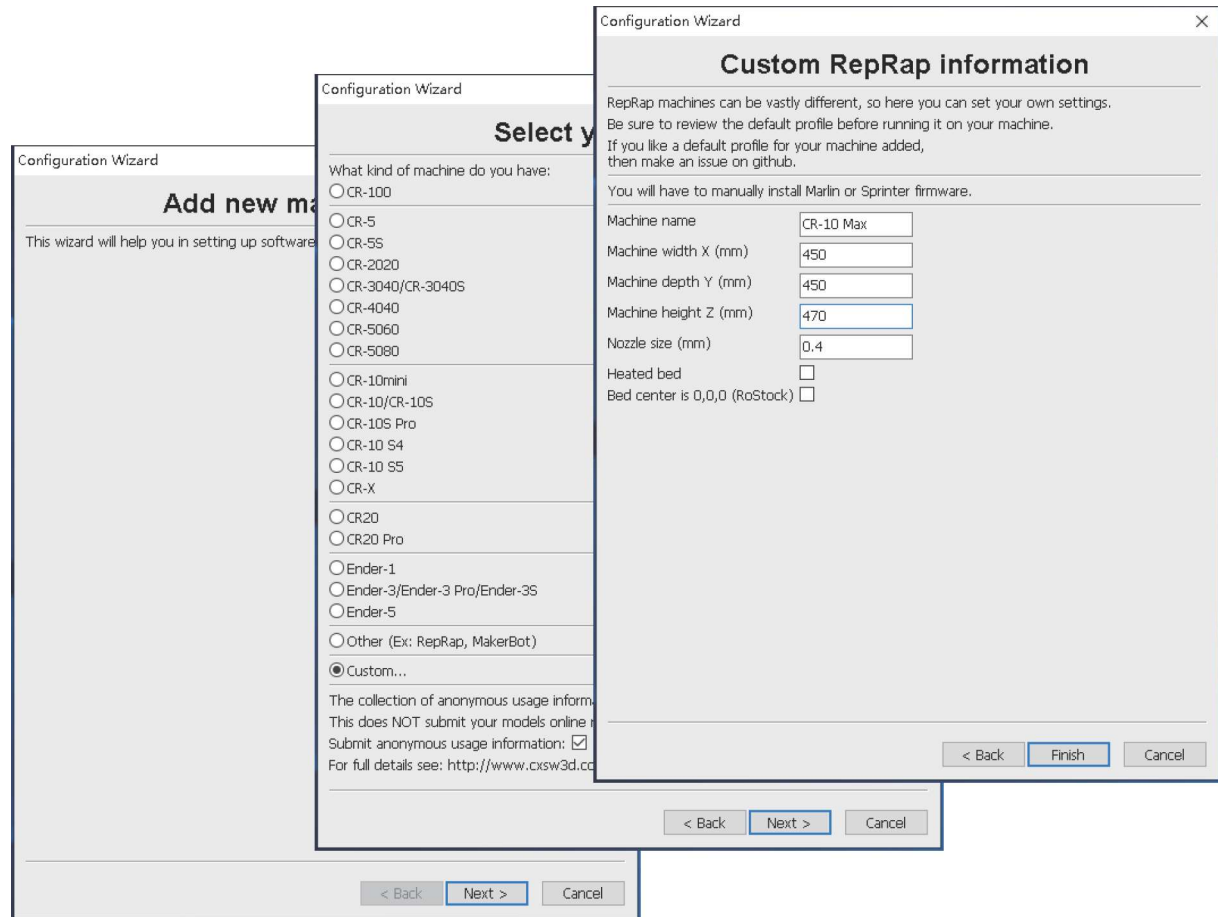
## 8. Software Installation



1. Double click to install the software



2. Double click to open the software

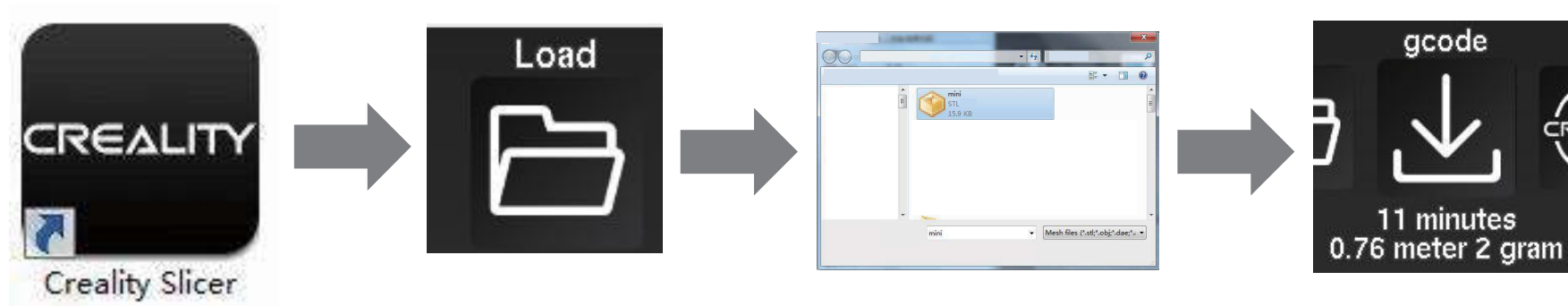


3. Select language → Next → Select your machine → Next → Finish

Please refer to the Slice Software User Manual in the TF card for details of software use!

## 9. First Printing

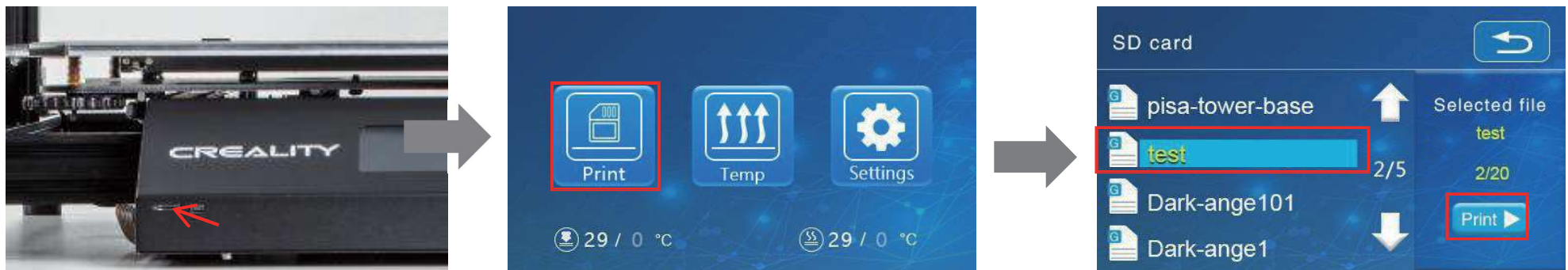
### 1. Slicing



Open the software → Load → Select the file → Wait for slicing to finish ,and save the gcode file to TF card.

\* File name must be English or number. Don't use Chinese or special symbols

### 2. Printing



Insert the TF card → Print → Select Model → Print

# Tips

1. Terms about after-sales service are available in the after-sales service card.
2. Slight scratch of profile and slight tilt of platform is normal if printing can still be done smoothly.
3. Users must abide by laws and regulations in the location of machine and corresponding countries/regions and adhere to work ethics and are strictly prohibited from using our 3D printers to print any product or object that violate laws and regulations in the location of machine and corresponding countries /regions to make the most of 3D printers, promote the harmonious growth of market economy, consciously enhance industry self-discipline, establish a positive image of 3D printers, ensure well-organized, legitimate and healthy activities about product certification and quality management system certification, highly mitigate risks from the use of 3D printers and avoid related responsibilities.



The revision date: March 26, 2020



**SHENZHEN CREALTY 3D TECHNOLOGY CO.,LTD.**  
11F & Room 1201,Block 3,JinChengYuan,Tongsheng Community,Dal  
ang,Longhua District,Shenzhen,China,518109  
Official Website: [www.crealty.com](http://www.crealty.com)  
Tel: +86 755- 85234565  
E- mail: [info@creality.com](mailto:info@creality.com) [cs@creality.com](mailto:cs@creality.com)

