



up to 200 °C

Linear Bearings without Housing

High Temperature Resistant

Overview:

standard:

- LME...GA
- LM...GA

long:

- LM...LGA

open:

- LM...GA·OP

adjustable:

- LME...GA·AJ
- LM...GA·AJ

DOLD Mechatronik GmbH
Schleifmattstr. 2 – D-77716 Haslach
Phone: +49 7832 / 946 980

info@dold-mechatronik.de
www.dold-mechatronik.de



Table of Content



**Linear Bearings without Housing - closed - standard
LME...GA**

- Technical Data
- Ordering Information

Pages 3-4



**Linear Bearings without Housing - closed - standard
LM...GA**

- Technical Data
- Ordering Information

Pages 5-6



**Linear Bearings without Housing - closed - long
LM...LGA**

- Technical Data
- Ordering Information

Pages 7-8



**Linear Bearings without Housing - closed - adjustable
LME...GA-AJ**

- Technical Data
- Ordering Information

Pages 9-10



**Linear Bearings without Housing - closed - adjustable
LM...GA-AJ**

- Technical Data
- Ordering Information

Pages 11-12

Picture follows

**Linear Bearings without Housing - open - standard
LM...GA-OP**

- Technical Data
- Ordering Information

Pages 13-14

Linear Bearings without Housing - closed - standard

LME...GA



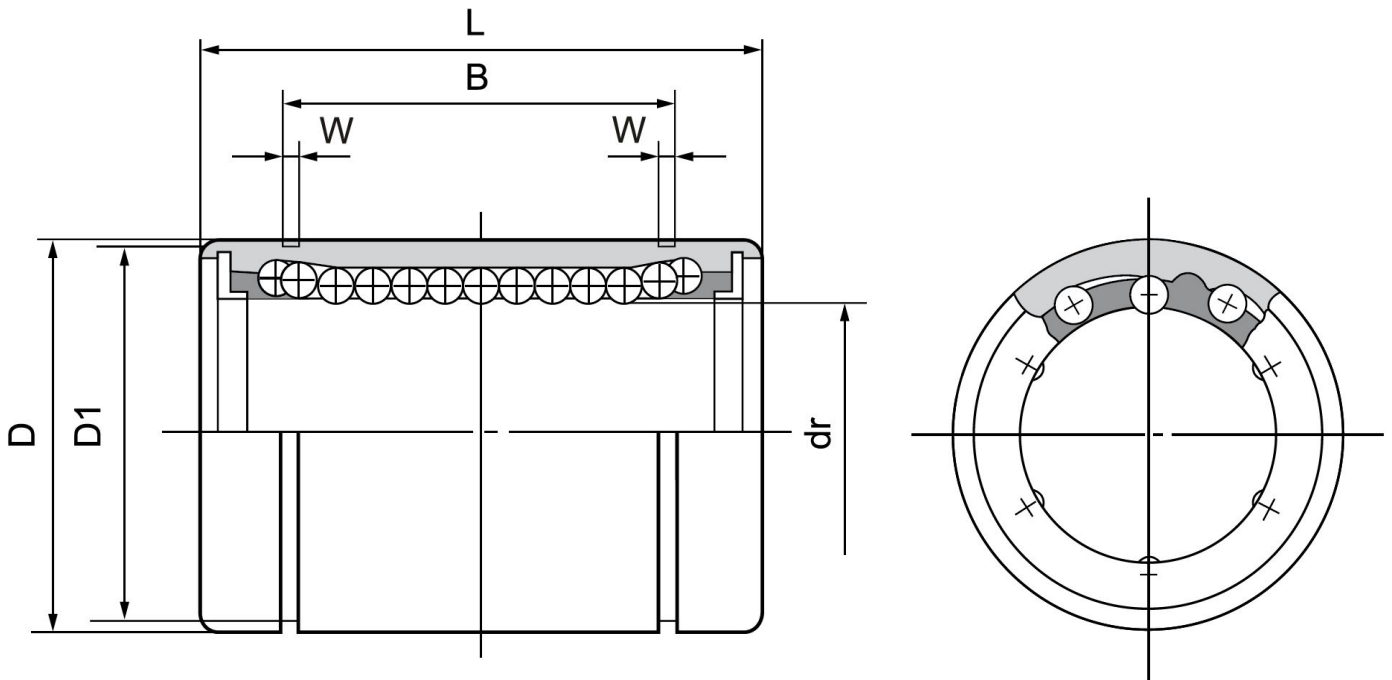
LME = Bearings according to the metric-European standard.
GA = high temperature resistant up to 200 °C.

Artikel-Nr. / Bezeichnung / Item-No. / Type	Wellendurch- messer / Shaft Diameter	Anzahl Kugelläufe / Ball circuits	Exzentrizität / Eccentricity (µm)	Radialspiel max. / Radial clearance max. (µm)	Tragzahl / Basic load rating		Gewicht / Weight (g)
					Dynamisch C N / Dynamic C N	Statisch Co N / Static Co N	
LME8GA	Ø8	4	12	-3	265	402	25.2
LME10GA	Ø10	4	12	-4	372	549	32.0
LME12GA	Ø12	4	12	-4	510	784	52.9
LME16GA	Ø16	5	12	-4	578	892	73.5
LME20GA	Ø20	5	15	-6	862	1370	120.3
LME25GA	Ø25	6	15	-6	980	1570	271.9
LME30GA	Ø30	6	15	-8	1570	2740	417.3
LME40GA	Ø40	6	17	-8	2160	4020	894.1
LME50GA	Ø50	6	17	-13	3820	7940	1130.0
LME60GA	Ø60	6	20	-13	4700	10000	2050.0
LME80GA *	Ø80	6	25	-20	7350	16000	5140.0

* on demand

Linear Bearings without Housing - closed - standard

LME...GA



Artikel-Nr. / Bezeichnung / Item-No. / Type	dr		Maße und Toleranzen / Dimensions and tolerances								
	mm	Toleranz / Tolerance μm		D		L		B		W	D ₁
		Precision	High	mm	Tol. μm	mm	Tol. μm	mm	Tol. μm	mm	mm
LME8GA	8	-	+8 / 0	16	0 / -8	25	0 / -200	16.5	0 / -200	1.1	15.2
LME10GA	10	-	+8 / 0	19	0 / -9	29	0 / -200	22.0	0 / -200	1.3	18.0
LME12GA	12	-	+8 / 0	22	0 / -9	32	0 / -200	22.9	0 / -200	1.3	21.0
LME16GA	16	-	+9 / -1	26	0 / -9	36	0 / -200	24.9	0 / -200	1.3	24.9
LME20GA	20	-	+9 / -1	32	0 / -11	45	0 / -200	31.5	0 / -200	1.6	30.3
LME25GA	25	-	+11 / -1	40	0 / -11	58	0 / -300	44.1	0 / -300	1.85	37.5
LME30GA	30	-	+11 / -1	47	0 / -11	68	0 / -300	52.1	0 / -300	1.85	44.5
LME40GA	40	-	+13 / -2	62	0 / -13	80	0 / -300	60.6	0 / -300	2.15	59.5
LME50GA	50	-	+13 / -2	75	0 / -13	100	0 / -300	77.6	0 / -300	2.65	72.5
LME60GA	60	-	+13 / -2	90	0 / -15	125	0 / -400	101.7	0 / -400	3.15	86.5
LME80GA *	80	-	+16 / -4	120	0 / -19	165	0 / -400	133.7	0 / -400	4.15	116

* on demand

Subject to errors and technical changes

Current prices can be found in the
DOLD Mechatronics web shop.

info@dold-mechatronik.de
www.dold-mechatronik.de

Page 4
DOLD Mechatronik GmbH
Schleifmattstr. 2 – D-77716 Haslach
Phone: +49 7832 / 946 980

Linear Bearings without Housing - closed - standard

LM...GA



LM = Metric-Japanese standard bearing.
GA = high temperature resistant up to 200 °C.

Artikel-Nr. / Bezeichnung / Item-No. / Type	Wellendurch- messer / Shaft Dia- meter	Anzahl Kugelläufe / Ball circuits	Exzentrizität / Eccentricity (µm)		Radialspiel max. / Radial clearance max. (µm)	Tragzahl / Basic load rating		Gewicht / Weight (g)
			Precision	High		Dynamisch C N Dynamic C N	Statisch Co N Static Co N	
LM5GA	Ø5	4	4	8	-3	167	206	5.5
LM6GA	Ø6	4	8	12	-3	206	265	8.9
LM8GA	Ø8	4	8	12	-3	274	392	17.3
LM10GA	Ø10	4	8	12	-4	372	549	32.0
LM12GA	Ø12	4	8	12	-4	510	784	36.7
LM13GA	Ø13	4	8	12	-4	510	784	50.0
LM16GA	Ø16	5	8	12	-6	774	1180	86.0
LM20GA	Ø20	5	10	15	-6	882	1370	112.0
LM25GA	Ø25	6	10	15	-6	980	1570	282.0
LM30GA	Ø30	6	10	15	-8	1570	2740	326.0
LM35GA	Ø35	6	12	20	-8	1670	3140	489.0
LM40GA	Ø40	6	12	20	-10	2160	4020	730.0
LM50GA	Ø50	6	12	20	-13	3820	7940	1,580
LM60GA	Ø60	6	17	25	-13	4700	10000	1,860
LM80GA	Ø80	6	17	25	-20	7350	16000	4420.0
LM100GA *	Ø100	6	20	30	-20	14100	34800	8600.0

* on demand

Subject to errors and technical changes

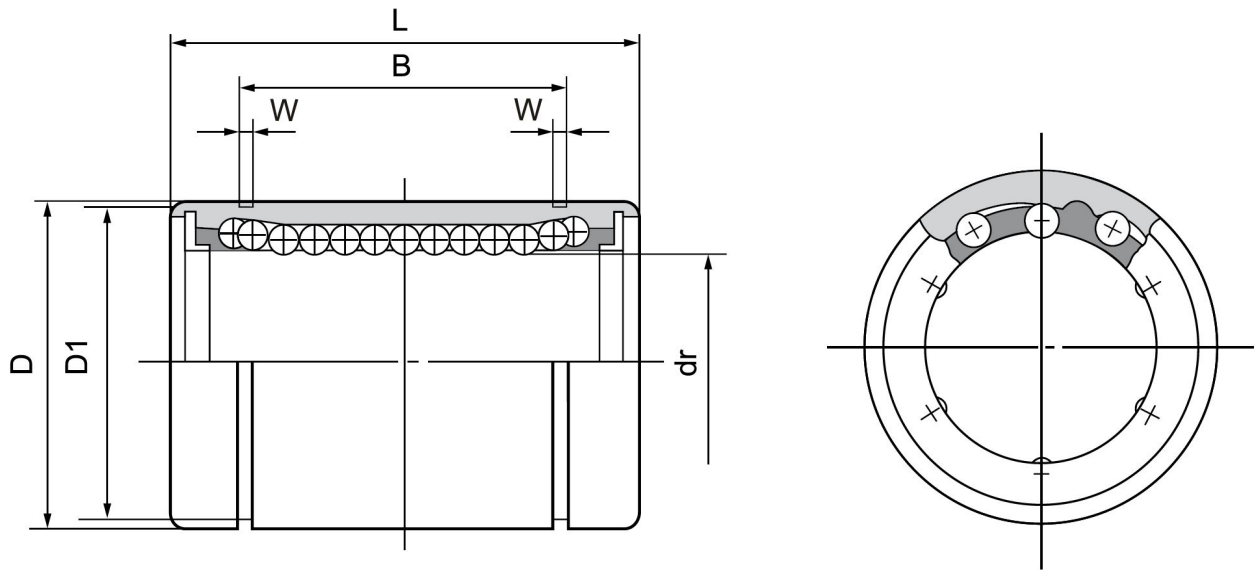
Current prices can be found in the
DOLD Mechatronics web shop.

info@dold-mechatronik.de
www.dold-mechatronik.de

Page 5
DOLD Mechatronik GmbH
Schleifmattstr. 2 – D-77716 Haslach
Phone: +49 7832 / 946 980

Linear Bearings without Housing - closed - standard

LM...GA



Artikel-Nr. / Bezeichnung / Item-No. / Type	dr			Maße und Toleranzen / Dimensions and tolerances							
	mm	Toleranz / Tolerance μm		D		L		B		W	D_1
		Precision	High	mm	Tol. μm	mm	Tol. μm	mm	Tol. μm	mm	mm
LM5GA	5	0 / -5	0 / -8	10	0 / -9	15	0 / -120	10.2	0 / -200	1.1	9.6
LM6GA	6	0 / -6	0 / -9	12	0 / -11	19	0 / -200	13.5	0 / -200	1.1	11.5
LM8GA	8	0 / -6	0 / -9	15	0 / -11	24	0 / -200	17.5	0 / -200	1.1	14.3
LM10GA	10	0 / -6	0 / -9	19	0 / -13	29	0 / -200	22	0 / -200	1.3	18
LM12GA	12	0 / -6	0 / -9	21	0 / -13	30	0 / -200	23	0 / -200	1.3	20
LM13GA	13	0 / -6	0 / -9	23	0 / -13	32	0 / -200	23	0 / -200	1.3	22
LM16GA	16	0 / -6	0 / -9	28	0 / -13	37	0 / -200	26.5	0 / -200	1.6	27
LM20GA	20	0 / -7	0 / -10	32	0 / -16	42	0 / -200	30.5	0 / -200	1.6	30.5
LM25GA	25	0 / -7	0 / -10	40	0 / -16	59	0 / -300	41	0 / -300	1.85	38
LM30GA	30	0 / -7	0 / -10	45	0 / -16	64	0 / -300	44.5	0 / -300	1.85	43
LM35GA	35	0 / -8	0 / -12	52	0 / -19	70	0 / -300	49.5	0 / -300	2.1	49
LM40GA	40	0 / -8	0 / -12	60	0 / -19	80	0 / -300	60.5	0 / -300	2.1	57
LM50GA	50	0 / -8	0 / -12	80	0 / -19	100	0 / -300	74	0 / -300	2.6	76.5
LM60GA	60	0 / -9	0 / -15	90	0 / -22	110	0 / -300	85	0 / -300	3.15	86.5
LM80GA	80	0 / -9	0 / -15	120	0 / -22	140	0 / -400	105.5	0 / -400	4.15	116
LM100GA *	100	0 / -10	0 / -20	150	0 / -25	175	0 / -400	125.5	0 / -400	4.15	145

* on demand

Subject to errors and technical changes

Current prices can be found in the
DOLD Mechatronics web shop.

info@dold-mechatronik.de
www.dold-mechatronik.de

Page 6
DOLD Mechatronik GmbH
Schleifmattstr. 2 – D-77716 Haslach
Phone: +49 7832 / 946 980

Linear Bearings without Housing - closed - long

LM...LGA



LM = Metric-Japanese standard bearing.

LGA = high temperature resistant up to 200 °C, long version.

High temperature resistant bearings according to the metric European standard (LME) in long versions on request.

Artikel-Nr. / Bezeichnung / Item-No. / Type	Wellendurch- messer / Shaft Diameter	Anzahl Kugelumläufe / Ball circuits	Exzentrizität / Eccentricity (µm)	TrGAzahl / Basic load rating		Gewicht / Weight (g)
				Dynamisch C N Dynamic C N	Statisch Co N Static Co N	
LM5LGA	Ø5	4	12	265	412	11.4
LM6LGA	Ø6	4	12	323	530	18.6
LM8LGA	Ø8	4	12	431	784	35.6
LM10LGA	Ø10	4	15	588	1100	67.0
LM12LGA	Ø12	4	15	813	1570	90.4
LM13LGA	Ø13	4	15	813	1570	104.0
LM16LGA	Ø16	5	15	1230	2350	179.0
LM20LGA	Ø20	5	20	1400	2740	230.0
LM25LGA	Ø25	6	20	1560	3140	564.0
LM30LGA	Ø30	6	20	2490	5490	632.0
LM35LGA	Ø35	6	25	2650	6270	993.0
LM40LGA	Ø40	6	25	3430	8040	1460.0
LM50LGA	Ø50	6	25	6080	15900	3100.0
LM60LGA	Ø60	6	30	7550	20000	3500.0
LM80LGA *	Ø80	6	30	11500	32000	7710.0

* on demand

Subject to errors and technical changes

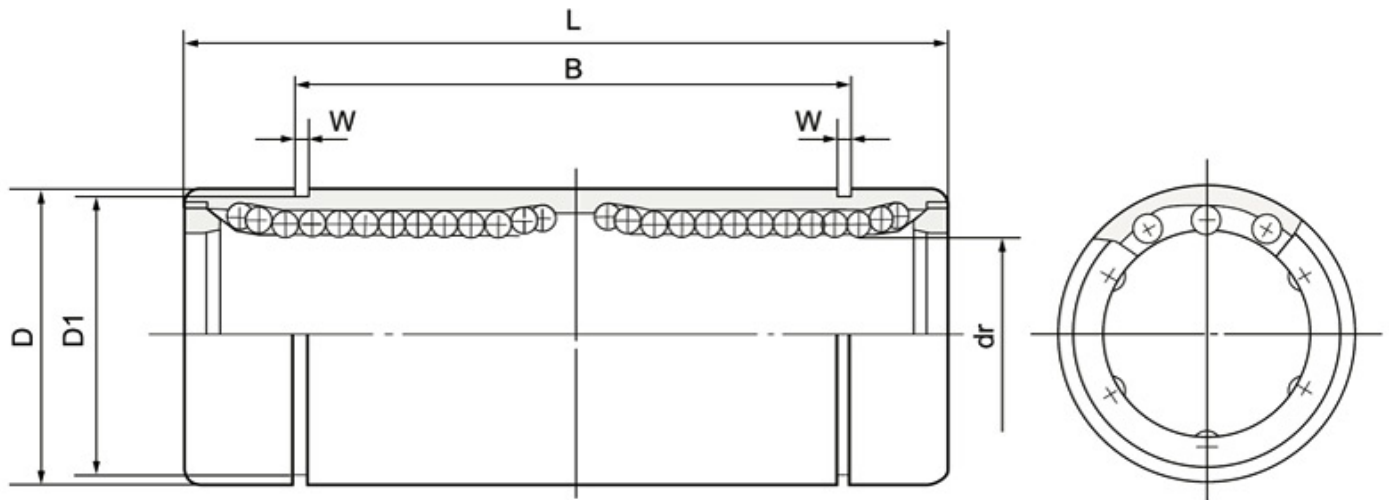
Current prices can be found in the
DOLD Mechatronics web shop.

info@dold-mechatronik.de
www.dold-mechatronik.de

Page 7
DOLD Mechatronik GmbH
Schleifmattstr. 2 – D-77716 Haslach
Phone: +49 7832 / 946 980

Linear Bearings without Housing - closed - long

LM...LGA



Artikel-Nr. / Bezeichnung / Item-No. / Type	Maße und Toleranzen / Dimensions and tolerances									
	dr		D		L		B		W	D ₁
	mm	Tol. µm	mm	Tol. µm	mm	Tol. µm	mm	Tol. µm	mm	mm
LM5LGA	5	0 / -9	10	0 / -11	28	0 / -200	20.4	0 / -200	1.1	9.6
LM6LGA	6	0 / -10	12	0 / -13	35	0 / -300	27	0 / -300	1.1	11.5
LM8LGA	8	0 / -10	15	0 / -13	45	0 / -300	35	0 / -300	1.1	14.3
LM10LGA	10	0 / -10	19	0 / -16	55	0 / -300	44	0 / -300	1.3	18
LM12LGA	12	0 / -10	21	0 / -16	57	0 / -300	46	0 / -300	1.3	20
LM13LGA	13	0 / -10	23	0 / -16	61	0 / -300	46	0 / -300	1.3	22
LM16LGA	16	0 / -10	28	0 / -16	70	0 / -300	53	0 / -300	1.6	27
LM20LGA	20	0 / -12	32	0 / -19	80	0 / -300	61	0 / -300	1.6	30.5
LM25LGA	25	0 / -12	40	0 / -19	112	0 / -400	82	0 / -400	1.85	38
LM30LGA	30	0 / -12	45	0 / -19	123	0 / -400	89	0 / -400	1.85	43
LM35LGA	35	0 / -15	52	0 / -22	135	0 / -400	99	0 / -400	2.1	49
LM40LGA	40	0 / -15	60	0 / -22	151	0 / -400	121	0 / -400	2.1	57
LM50LGA	50	0 / -15	80	0 / -22	192	0 / -400	148	0 / -400	2.6	76.5
LM60LGA	60	0 / -20	90	0 / -25	209	0 / -400	170	0 / -400	3.15	86.5
LM80LGA *	80	0 / -20	120	0 / -25	265	0 / -400	216	0 / -400	4.15	116.0

* on demand

Subject to errors and technical changes

Current prices can be found in the
DOLD Mechatronics web shop.

info@dold-mechatronik.de
www.dold-mechatronik.de

Page 8
DOLD Mechatronik GmbH
Schleifmattstr. 2 – D-77716 Haslach
Phone: +49 7832 / 946 980

Linear Bearings without Housing - closed - adjustable

LME...GA-AJ



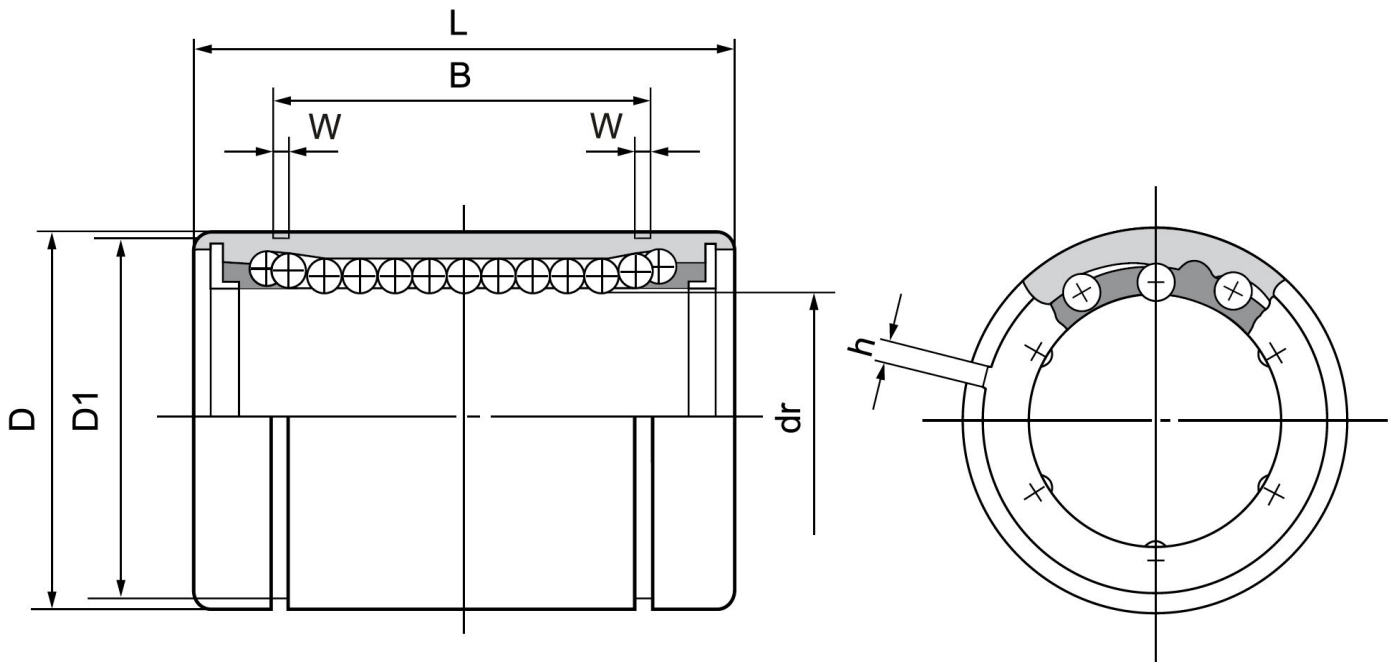
LME = Bearing according to the metric-European standard.
 GA = high temperature resistant up to 200 °C.
 AJ = adjustable

Artikel-Nr. / Bezeichnung / Item-No. / Type	Wellendurch- messer / Shaft Diameter	Anzahl Kugelläufe / Ball circuits	Exzentrizität / Eccentricity (µm)	Radialspiel max. / Radial clearance max. (µm)	Tragzahl / Basic load rating		Gewicht / Weight (g)
					Dynamisch C N / Dynamic C N	Statisch Co N / Static Co N	
LME8GA-AJ *	Ø8	4	12	-3	265	402	24.7
LME10GA-AJ	Ø10	4	12	-4	372	549	31.5
LME12GA-AJ	Ø12	4	12	-4	510	784	51.9
LME16GA-AJ	Ø16	5	12	-4	578	892	72.5
LME20GA-AJ	Ø20	5	15	-6	862	1370	119.3
LME25GA-AJ	Ø25	6	15	-6	980	1570	268.9
LME30GA-AJ	Ø30	6	15	-8	1570	2740	412.3
LME40GA-AJ *	Ø40	6	17	-8	2160	4020	883.1
LME50GA-AJ *	Ø50	6	17	-13	3820	7940	1110.0
LME60GA-AJ *	Ø60	6	20	-13	4700	9800	2000.0
LME80GA-AJ *	Ø80	6	25	-20	7350	16000	5000.0

* on demand

Linear Bearings without Housing - closed - adjustable

LME...GA-AJ



Artikel-Nr. / Bezeichnung / Item-No. / Type	dr		Maße und Toleranzen / Dimensions and tolerances									
	mm	Toleranz / Tolerance μm		D		L		B		W	D ₁	h
		Precision	High	mm	Tol. μm	mm	Tol. μm	mm	Tol. μm	mm	mm	mm
LME8GA-AJ *	8	-	+8 / 0	16	0 / -8	25	0 / -200	16,5	0 / -200	1,1	15,2	1
LME10GA-AJ	10	-	+8 / 0	19	0 / -9	29	0 / -200	22,0	0 / -200	1,3	18,0	1
LME12GA-AJ	12	-	+8 / 0	22	0 / -9	32	0 / -200	22,9	0 / -200	1,3	21,0	1,5
LME16GA-AJ	16	-	+9 / -1	26	0 / -9	36	0 / -200	24,9	0 / -200	1,3	24,9	1,5
LME20GA-AJ	20	-	+9 / -1	32	0 / -11	45	0 / -200	31,5	0 / -200	1,6	30,3	2
LME25GA-AJ	25	-	+11 / -1	40	0 / -11	58	0 / -300	44,1	0 / -300	1,85	37,5	2
LME30GA-AJ	30	-	+11 / -1	47	0 / -11	68	0 / -300	52,1	0 / -300	1,85	44,5	2
LME40GA-AJ *	40	-	+13 / -2	62	0 / -13	80	0 / -300	60,6	0 / -300	2,15	59,5	3
LME50GA-AJ *	50	-	+13 / -2	75	0 / -13	100	0 / -300	77,6	0 / -300	2,65	72,5	3
LME60GA-AJ *	60	-	+13 / -2	90	0 / -15	125	0 / -400	101,7	0 / -400	3,15	86,5	3
LME80GA-AJ *	80	-	+16 / -4	120	0 / -19	165	0 / -400	133,7	0 / -400	4,15	116	3

* on demand

Linear Bearings without Housing - closed - adjustable

LM...GA-AJ



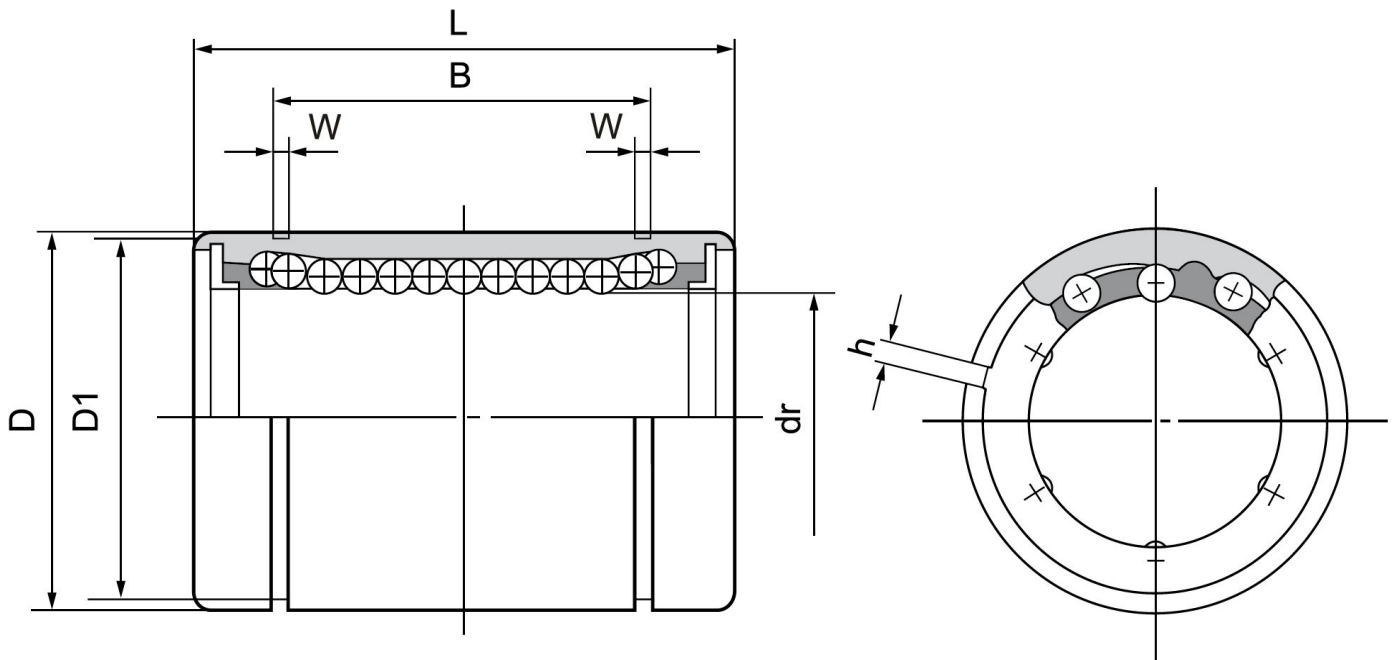
LM = Metric-Japanese standard bearing.
 GA = high temperature resistant up to 200 °C.
 AJ = adjustable

Artikel-Nr. / Bezeichnung / Item-No. / Type	Wellendurch- messer / Shaft Diameter	Anzahl Kugelläufe / Ball circuits	Exzentrizität / Eccentricity (µm)		Radialspiel max. l Radial clearance max. (µm)	Tragzahl / Basic load rating		Gewicht / Weight (g)
			Precision	High		Dynamisch C N Dynamic C N	Statisch Co N Static Co N	
LM6GA-AJ *	Ø6	4	8	12	-3	206	265	8.8
LM8GA-AJ *	Ø8	4	8	12	-3	274	392	17.0
LM10GA-AJ *	Ø10	4	8	12	-4	372	549	31.5
LM12GA-AJ	Ø12	4	8	12	-4	510	784	36.2
LM13GA-AJ	Ø13	4	8	12	-4	510	784	49.0
LM16GA-AJ	Ø16	5	8	12	-6	774	1180	85.0
LM20GA-AJ	Ø20	5	10	15	-6	882	1370	110.0
LM25GA-AJ	Ø25	6	10	15	-6	980	1570	278.0
LM30GA-AJ	Ø30	6	10	15	-8	1570	2740	321.0
LM35GA-AJ	Ø35	6	12	20	-8	1670	3140	483.0
LM40GA-AJ	Ø40	6	12	20	-10	2160	4020	724.0
LM50GA-AJ	Ø50	6	12	20	-13	3820	7940	1560.0
LM60GA-AJ	Ø60	6	17	25	-13	4700	10000	1820.0
LM80GA-AJ	Ø80	6	17	25	-20	7350	16000	4300.0
LM100GA-AJ *	Ø100	6	20	30	-20	14100	34800	8540.0

* on demand

Linear Bearings without Housing - closed - adjustable

LM...GA-AJ



Artikel-Nr. / Bezeichnung / Item-No. / Type	dr		Maße und Toleranzen / Dimensions and tolerances									
	mm	Toleranz / Tolerance μm		D		L		B		W	D_1	h
		Precision	High	mm	Tol. μm	mm	Tol. μm	mm	Tol. μm	mm	mm	mm
LM6GA-AJ *	6	0 / -6	0 / -9	12	0 / -11	19	0 / -200	13,5	0 / -200	1,1	11,5	1
LM8GA-AJ *	8	0 / -6	0 / -9	15	0 / -11	24	0 / -200	17,5	0 / -200	1,1	14,3	1
LM10GA-AJ *	10	0 / -6	0 / -9	19	0 / -13	29	0 / -200	22	0 / -200	1,3	18	1
LM12GA-AJ	12	0 / -6	0 / -9	21	0 / -13	30	0 / -200	23	0 / -200	1,3	20	1,5
LM13GA-AJ	13	0 / -6	0 / -9	23	0 / -13	32	0 / -200	23	0 / -200	1,3	22	1,5
LM16GA-AJ	16	0 / -6	0 / -9	28	0 / -13	37	0 / -200	26,5	0 / -200	1,6	27	1,5
LM20GA-AJ	20	0 / -7	0 / -10	32	0 / -16	42	0 / -200	30,5	0 / -200	1,6	30,5	1,5
LM25GA-AJ	25	0 / -7	0 / -10	40	0 / -16	59	0 / -300	41	0 / -300	1,85	38	2
LM30GA-AJ	30	0 / -7	0 / -10	45	0 / -16	64	0 / -300	44,5	0 / -300	1,85	43	2,5
LM35GA-AJ	35	0 / -8	0 / -12	52	0 / -19	70	0 / -300	49,5	0 / -300	2,1	49	2,5
LM40GA-AJ	40	0 / -8	0 / -12	60	0 / -19	80	0 / -300	60,5	0 / -300	2,1	57	3
LM50GA-AJ	50	0 / -8	0 / -12	80	0 / -19	100	0 / -300	74	0 / -300	2,6	76,5	3
LM60GA-AJ	60	0 / -9	0 / -15	90	0 / -22	110	0 / -300	85	0 / -300	3,15	86,5	3
LM80GA-AJ	80	0 / -9	0 / -15	120	0 / -22	140	0 / -400	105,5	0 / -400	4,15	116	3
LM100GA-AJ *	100	0 / -10	0 / -20	150	0 / -25	175	0 / -400	125,5	0 / -400	4,15	145	3

* on demand

Subject to errors and technical changes

Current prices can be found in the
DOLD Mechatronics web shop.

info@dold-mechatronik.de
www.dold-mechatronik.de

Page 12
DOLD Mechatronik GmbH
Schleifmattstr. 2 – D-77716 Haslach
Phone: +49 7832 / 946 980



Picture follows



LM = LBearing according to the metric-European standard.

GA = high temperature resistant up to 200 °C.

OP = open

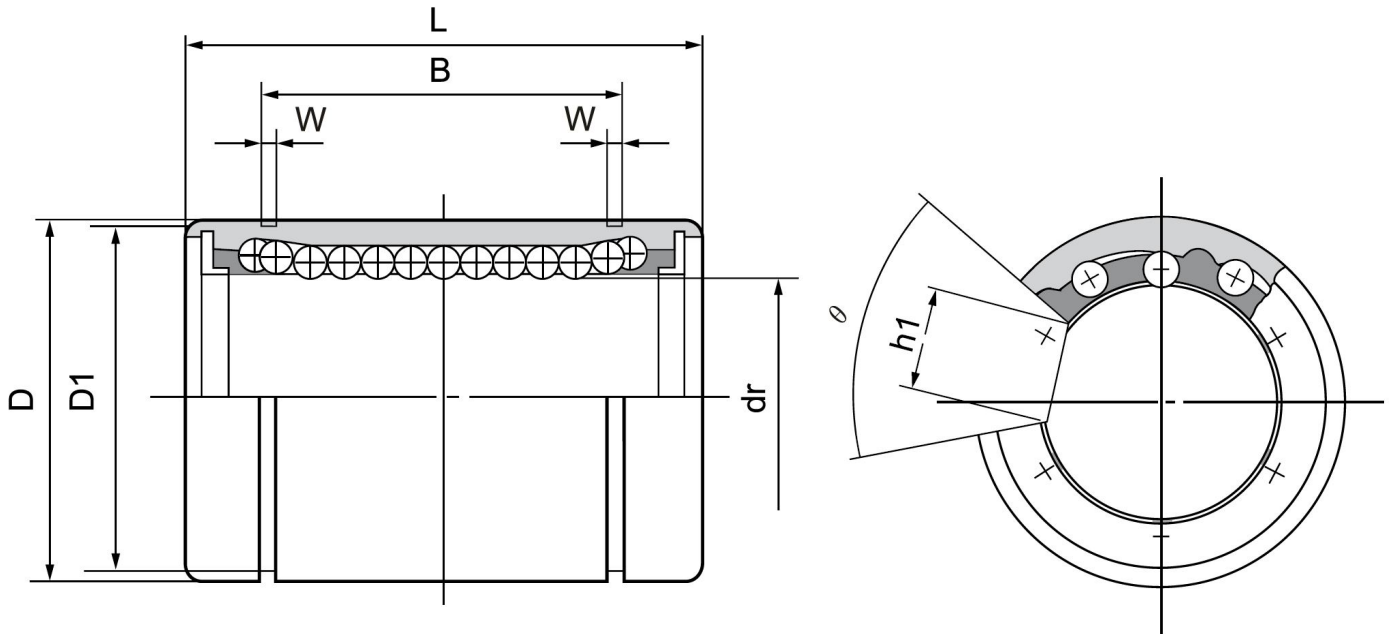
High temperature resistant bearings in accordance with the Metric European Standard (LME) in an open design.

Artikel-Nr. / Bezeichnung / Item-No. / Type	Wellendurch- messer / Shaft Diameter	Anzahl Kugelläufe / Ball circuits	Exzentrizität / Eccentricity (µm)		Radialspiel max. / Radial clearance max. (µm)	Tragzahl / Basic load rating		Gewicht / Weight (g)
			Precision	High		Dynamisch C N Dynamic C N	Statisch Co N Static Co N	
LM10GA-OP *	Ø10	3	8	12	-4	372	549	24.0
LM12GA-OP	Ø12	3	8	12	-4	510	784	27.5
LM13GA-OP *	Ø13	3	8	12	-4	510	784	37.5
LM16GA-OP	Ø16	4	8	12	-6	774	1180	68.8
LM20GA-OP	Ø20	4	10	15	-6	882	1370	89.6
LM25GA-OP	Ø25	5	10	15	-6	980	1570	235.0
LM30GA-OP	Ø30	5	10	15	-8	1570	2740	271.7
LM35GA-OP *	Ø35	5	12	20	-8	1670	3140	407.5
LM40GA-OP *	Ø40	5	12	20	-10	2160	4020	608.3
LM50GA-OP *	Ø50	5	12	20	-13	3820	7940	1340.0
LM60GA-OP *	Ø60	5	17	25	-13	4700	10000	1610.0
LM80GA-OP *	Ø80	5	17	25	-20	7350	16000	3650.0
LM100GA-OP *	Ø100	5	20	30	-20	14100	34800	7200.0

* on demand

Linear Bearings without Housing - open - standard

LM...GA-OP



Artikel-Nr. / Bezeichnung / Item-No. / Type	dr			Maße und Toleranzen / Dimensions and tolerances									
	mm	Toleranz / Tolerance μm		D		L		B		W	D ₁	h ₁	θ
		Precision	High	mm	Tol. μm	mm	Tol. μm	mm	Tol. μm	mm	mm	mm	
LM10GA-OP *	10	0 / -6	0 / -9	19	0 / -13	29	0 / -200	22	0 / -200	1.3	18	6.8	80°
LM12GA-OP	12	0 / -6	0 / -9	21	0 / -13	30	0 / -200	23	0 / -200	1.3	20	8	80°
LM13GA-OP *	13	0 / -6	0 / -9	23	0 / -13	32	0 / -200	23	0 / -200	1.3	22	9	80°
LM16GA-OP	16	0 / -6	0 / -9	28	0 / -13	37	0 / -200	26.5	0 / -200	1.6	27	11	80°
LM20GA-OP	20	0 / -7	0 / -10	32	0 / -16	42	0 / -200	30.5	0 / -200	1.6	30.5	11	60°
LM25GA-OP	25	0 / -7	0 / -10	40	0 / -16	59	0 / -300	41	0 / -300	1.85	38	12	50°
LM30GA-OP	30	0 / -7	0 / -10	45	0 / -16	64	0 / -300	44.5	0 / -300	1.85	43	15	50°
LM35GA-OP *	35	0 / -8	0 / -12	52	0 / -19	70	0 / -300	49.5	0 / -300	2.1	49	17	50°
LM40GA-OP *	40	0 / -8	0 / -12	60	0 / -19	80	0 / -300	60.5	0 / -300	2.1	57	20	50°
LM50GA-OP *	50	0 / -8	0 / -12	80	0 / -19	100	0 / -300	74	0 / -300	2.6	76.5	25	50°
LM60GA-OP *	60	0 / -9	0 / -15	90	0 / -22	110	0 / -300	85	0 / -300	3.15	86.5	30	50°
LM80GA-OP *	80	0 / -9	0 / -15	120	0 / -22	140	0 / -400	105.5	0 / -400	4.15	116	40	50°
LM100GA-OP *	100	0 / -10	0 / -20	150	0 / -25	175	0 / -400	125.5	0 / -400	4.15	145	50	50°

* on demand