



up to 200 °C

Linear Bearing with Flange

High Temperature Resistant

Versions:

- standard
- europ. metrical
- long
- offset
- offset, long
- centred, long


round:

- LMF...AG
- LMEF...AG
- LMF...LAG
- LMFP...AG
- LMFP...LAG
- LMFM...LAG

square:

- LMK...AG
- LMEK...AG
- LMK...LAG
- LMKP...AG
- LMKP...LAG
- LMKM...LAG

rounded oblong:

- LMH...AG
- 
- LMH...LAG
- LMHP...AG
- LMHP...LAG
- LMHM...LAG

DOLD Mechatronik GmbH
Schleifmattstr. 2 – D-77716 Haslach
Phone: +49 7832 / 946 980

info@dold-mechatronik.de
www.dold-mechatronik.de

High Temperature Resistant Linear Bearing with Flange

Table of Content

Standard Length



Linear Bearing with Round Flange

- Technical Data
- Ordering Information

LMF...GA
LMEF...GA

Pages 3-4
Pages 5-6



Linear Bearing with Square Flange

- Technical Data
- Ordering Information

LMK...GA
LMEK...GA

Pages 7-8
Pages 9-10



Linear Bearing with Flange - abgerundetes Rechteck - standard

- Technische Daten
- Bestell-Informationen

LMH...GA

Pages 11-12

Long Version

Picture follows

Linear Bearing with Round Flange

- Technical Data
- Ordering Information

LMF...LGA

Pages 13-14

Picture follows

Linear Bearing with Square Flange

- Technical Data
- Ordering Information

LMK...LGA

Pages 15-16

Picture follows

Linear Bearing with Two Side Cut Flange

- Technical Data
- Ordering Information

LMH...LGA

Pages 17-18

Pilot Flange, Standard Length

Picture follows

Linear Bearing with Round Pilot Flange

- Technical Data
- Ordering Information

LMFP...GA

Pages 19-20

Picture follows

Linear Bearing with Square Pilot Flange

- Technical Data
- Ordering Information

LMKP...GA

Pages 21-22

Picture follows

Linear Bearing with Two Side Cut Pilot Flange

- Technical Data
- Ordering Information

LMHP...GA

Pages 23-24

High Temperature Resistant Linear Bearing with Flange



Table of Content

Pilot Flange, Long Version

Picture follows	Linear Bearing with Round Pilot Flange <ul style="list-style-type: none"> • Technical Data • Ordering Information 	LMFP...LGA	Pages 25-26
Picture follows	Linear Bearing with Square Pilot Flange <ul style="list-style-type: none"> • Technical Data • Ordering Information 	LMKP...LGA	Pages 27-28
Picture follows	Linear Bearing with Two Side Cut Pilot Flange <ul style="list-style-type: none"> • Technical Data • Ordering Information 	LMHP...LGA	Pages 29-30

Centerd Flange, Long Version

Picture follows	Linear Bearing with Centred Round Flange <ul style="list-style-type: none"> • Technical Data • Ordering Information 	LMFM...LGA	Pages 31-32
Picture follows	Linear Bearing with Centred Sqaure Flange <ul style="list-style-type: none"> • Technical Data • Ordering Information 	LMKM...LGA	Pages 33-34
Picture follows	Linear Bearing with Centred Two Side Cut Pilot Flange <ul style="list-style-type: none"> • Technical Data • Ordering Information 	LMHM...LGA	Pages 35-36

Linear Bearing with Round Flange

Standard Length LMF...GA



LMF = Bearing with round flange according to metric-Japanese standard.
GA = high temperature resistant up to 200 °C.

Art.Nr. / Item No.	Wellendurchmesser / Shaft Diameter	Exzentrizität / Eccentricity (µm)	Rechtwinkligkeit / Squareness (µm)	Tragzahl / Basic load rating		Gewicht / Weight (g)
				Dynamisch C N Dynamic C N	Statisch Co N Static Co N	
LMF5GA	Ø5	12	12	167	206	19.5
LMF6GA	Ø6	12	12	206	265	25.3
LMF8GA	Ø8	12	12	274	392	39.3
LMF10GA	Ø10	12	12	372	549	74.5
LMF12GA	Ø12	12	12	510	784	81.2
LMF13GA	Ø13	12	12	510	784	95
LMF16GA	Ø16	12	12	774	1180	137
LMF20GA	Ø20	15	15	882	1370	205
LMF25GA	Ø25	15	15	980	1570	402
LMF30GA	Ø30	15	15	1570	2740	546
LMF35GA	Ø35	20	20	1670	3140	749
LMF40GA	Ø40	20	20	2160	4020	1205
LMF50GA	Ø50	20	20	3820	7940	2200
LMF60GA	Ø60	25	25	4700	10000	3000
LMF80GA *	Ø80	25	25	7350	16000	5800
LMF100GA *	Ø100	30	30	14100	34800	10600

* on demand

Subject to errors and technical changes

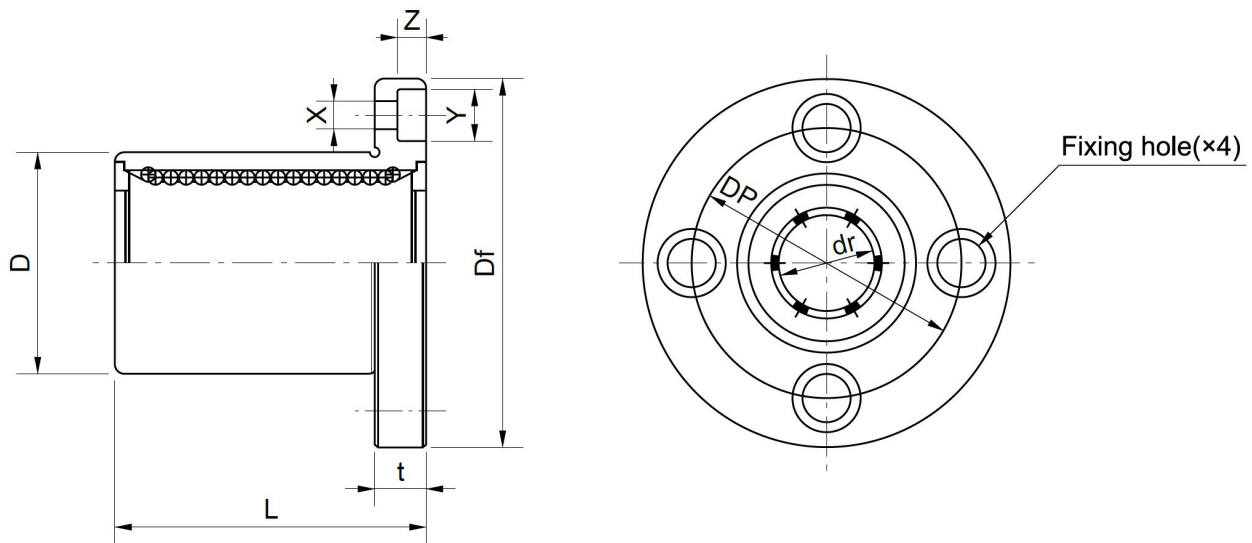
Current prices can be found in the
DOLD Mechatronics web shop.

info@dold-mechatronik.de
www.dold-mechatronik.de

Page 4
DOLD Mechatronik GmbH
Schleifmattstr. 2 – D-77716 Haslach
Phone: +49 7832 / 946 980

Linear Bearing with Round Flange

Standard Length LMF...GA



Art.Nr. / Item No.	Maße und Toleranzen / Dimensions and tolerances												
	dr		D		L		Df	K	t	Dp	X	Y	Z
	mm	Tol. μm	mm	Tol. μm	mm	Tol. μm	mm	mm	mm	mm	mm	mm	mm
LMF5GA	5	0 / -9	10	0 / -13	15	± 300	26	21	5	18	3,5	6	3,1
LMF6GA	6	0 / -9	12	0 / -13	19	± 300	28	22	5	20	3,5	6	3,1
LMF8GA	8	0 / -9	15	0 / -13	24	± 300	32	25	5	24	3,5	6	3,1
LMF10GA	10	0 / -9	19	0 / -16	29	± 300	40	30	6	29	4,5	7,5	4,1
LMF12GA	12	0 / -9	21	0 / -16	30	± 300	42	32	6	32	4,5	7,5	4,1
LMF13GA	13	0 / -9	23	0 / -16	32	± 300	43	34	6	33	4,5	7,5	4,1
LMF16GA	16	0 / -9	28	0 / -19	37	± 300	48	37	6	38	4,5	7,5	4,1
LMF20GA	20	0 / -10	32	0 / -19	42	± 300	54	42	8	43	5,5	9	5,1
LMF25GA	25	0 / -10	40	0 / -19	59	± 300	62	50	8	51	5,5	9	5,1
LMF30GA	30	0 / -10	45	0 / -19	64	± 300	74	58	10	60	6,6	11	6,1
LMF35GA	35	0 / -12	52	0 / -22	70	± 300	82	64	10	67	6,6	11	6,1
LMF40GA	40	0 / -12	60	0 / -22	80	± 300	96	75	13	78	9	14	8,1
LMF50GA	50	0 / -12	80	0 / -22	100	± 300	116	92	13	98	9	14	8,1
LMF60GA	60	0 / -15	90	0 / -25	110	± 300	134	106	18	112	11	17	11,1
LMF80GA *	80	0 / -15	120	0 / -25	140	0 / -400	164	136	18	142	11	17	11,1
LMF100GA *	100	0 / -20	150	0 / -29	175	0 / -400	200	170	20	175	14	20	13,1

* on demand

Subject to errors and technical changes

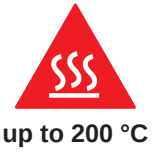
Current prices can be found in the
DOLD Mechatronics web shop.

info@dold-mechatronik.de
www.dold-mechatronik.de

Page 5
DOLD Mechatronik GmbH
Schleifmattstr. 2 – D-77716 Haslach
Phone: +49 7832 / 946 980

Linear Bearing with Round Flange

Standard Length LEMF...GA



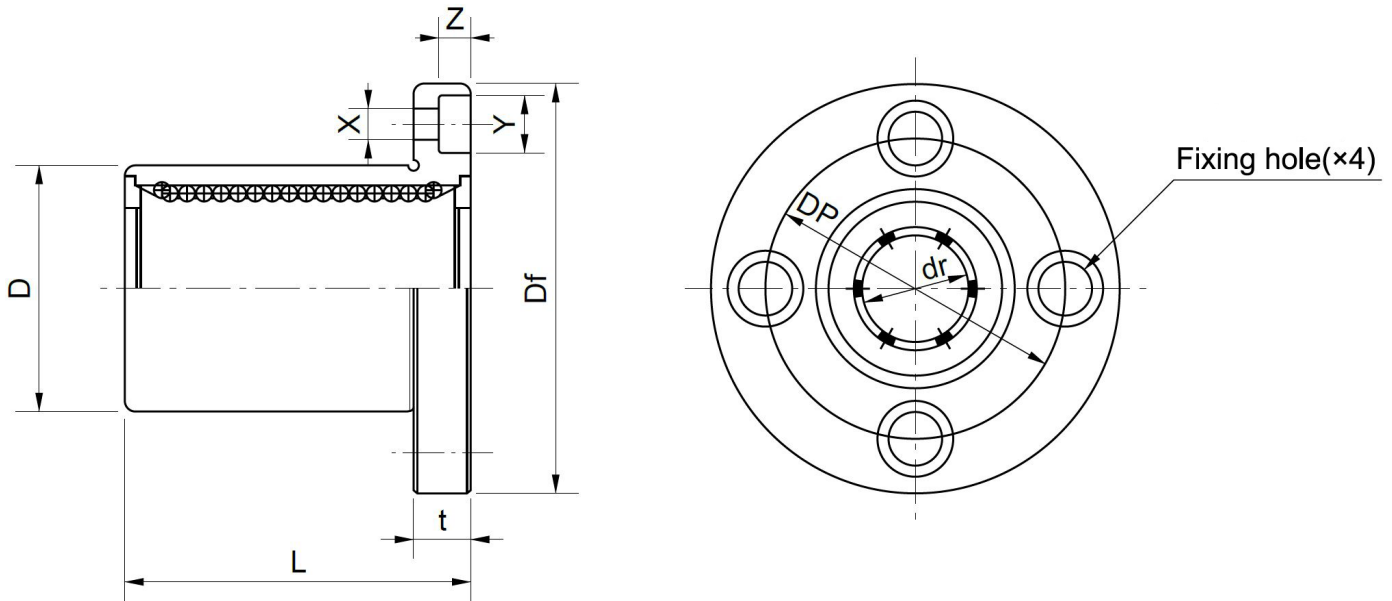
LMEF = Bearings with round flange according to the metric-European standard.
GA = high temperature resistant up to 200 °C.

Art.Nr. / Item No.	Wellendurch- messer / Shaft Diameter	Exzentrizität / Eccentricity (µm)	Rechtwinkligkeit / Squareness (µm)	Tragzahl / Basic load rating		Gewicht / Weight (g)
				Dynamisch C N Dynamic C N	Statisch Co N Static Co N	
LMEF8GA	Ø8	12	12	265	402	46.2
LMEF12GA	Ø12	12	12	510	784	91.9
LMEF16GA	Ø16	12	12	578	892	119.5
LMEF20GA	Ø20	15	15	862	1370	211.3
LMEF25GA	Ø25	15	15	980	1570	393.9
LMEF30GA	Ø30	15	15	1570	2740	652.3
LMEF40GA *	Ø40	17	17	2160	4020	1364
LMEF50GA *	Ø50	17	17	3820	7940	1745
LMEF60GA *	Ø60	20	20	4700	9800	3220
LMEF80GA *	Ø80	25	20	7350	16000	6420

* on demand

Linear Bearing with Round Flange

Standard Length LEMF...GA

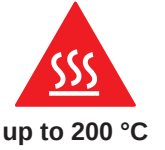


Art.Nr. / Item No.	Maße und Toleranzen / Dimensions and tolerances												
	dr		D		L		Df	K	t	Dp	X	Y	Z
	mm	Tol. μm	mm	Tol. μm	mm	Tol. μm	mm	mm	mm	mm	mm	mm	mm
LMEF8GA	8	+8 / 0	16	0 / -13	25	± 300	32	25	5	24	3,5	6	3,1
LMEF12GA	12	+8 / 0	22	0 / -16	32	± 300	42	32	6	32	4,5	7,5	4,1
LMEF16GA	16	+9 / -1	26	0 / -16	36	± 300	46	35	6	36	4,5	7,5	4,1
LMEF20GA	20	+9 / -1	32	0 / -19	45	± 300	54	42	8	43	5,5	9	5,1
LMEF25GA	25	+11 / -1	40	0 / -19	58	± 300	62	50	8	51	5,5	9	5,1
LMEF30GA	30	+11 / -1	47	0 / -19	68	± 300	76	60	10	62	6,6	11	6,1
LMEF40GA *	40	+13 / -2	62	0 / -22	80	± 300	98	75	13	80	9	14	8,1
LMEF50GA *	50	+13 / -2	75	0 / -22	100	± 300	112	88	13	94	9	14	8,1
LMEF60GA *	60	+13 / -2	90	0 / -25	125	0 / -400	134	106	18	112	11	17	11,1
LMEF80GA *	80	+16 / -4	120	0 / -25	165	0 / -400	164	136	18	142	11	17	11,1

* on demand

Linear Bearing with Square Flange

Standard Length LMK...GA



LMK = Bearing with square flange according to metric-Japanese standard.
 GA = high temperature resistant up to 200 °C.

Art.Nr. / Item No.	Wellendurchmesser / Shaft Diameter	Exzentrizität / Eccentricity (µm)	Rechtwinkligkeit / Squareness (µm)	Tragzahl / Basic load rating		Gewicht / Weight (g)
				Dynamisch C N Dynamic C N	Statisch Co N Static Co N	
LMK5GA	Ø5	12	12	167	206	14.5
LMK6GA	Ø6	12	12	206	265	19.3
LMK8GA	Ø8	12	12	274	392	31.3
LMK10GA	Ø10	12	12	372	549	54.5
LMK12GA	Ø12	12	12	510	784	62.2
LMK13GA	Ø13	12	12	510	784	79
LMK16GA	Ø16	12	12	774	1180	121
LMK20GA	Ø20	15	15	882	1370	170
LMK25GA	Ø25	15	15	980	1570	362
LMK30GA	Ø30	15	15	1570	2740	451
LMK35GA	Ø35	20	20	1670	3140	659
LMK40GA	Ø40	20	20	2160	4020	1025
LMK50GA	Ø50	20	20	3820	7940	2000
LMK60GA	Ø60	25	25	4700	10000	2560
LMK80GA *	Ø80	25	25	7350	16000	5300
LMK100GA *	Ø100	30	30	14100	34800	9900

* on demand

Subject to errors and technical changes

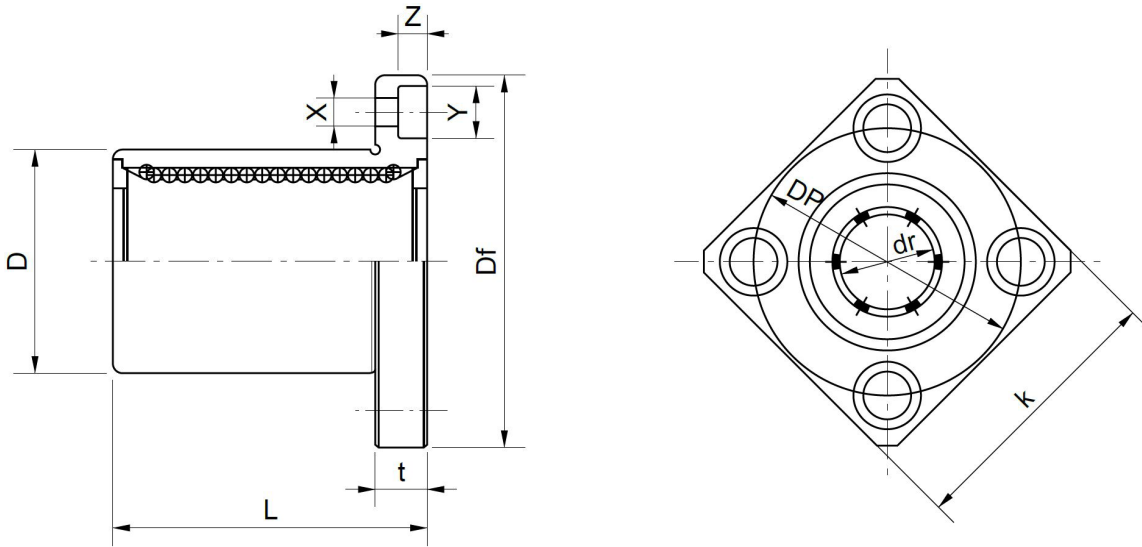
Current prices can be found in the
 DOLD Mechatronics web shop.

info@dold-mechatronik.de
www.dold-mechatronik.de

Page 8
 DOLD Mechatronik GmbH
 Schleifmattstr. 2 – D-77716 Haslach
 Phone: +49 7832 / 946 980

Linear Bearing with Square Flange

Standard Length LMK...GA



Art.Nr. / Item No.	Maße und Toleranzen / Dimensions and tolerances												
	dr		D		L		Df	K	t	Dp	X	Y	Z
	mm	Tol. μm	mm	Tol. μm	mm	Tol. μm	mm	mm	mm	mm	mm	mm	mm
LMK5GA	5	0 / -9	12	0 / -13	15	± 300	26	21	5	18	3,5	6	3,1
LMK6GA	6	0 / -9	12	0 / -13	19	± 300	28	22	5	20	3,5	6	3,1
LMK8GA	8	0 / -9	15	0 / -13	24	± 300	32	25	5	24	3,5	6	3,1
LMK10GA	10	0 / -9	19	0 / -16	29	± 300	40	30	6	29	4,5	7,5	4,1
LMK12GA	12	0 / -9	21	0 / -16	30	± 300	42	32	6	32	4,5	7,5	4,1
LMK13GA	13	0 / -9	23	0 / -16	32	± 300	43	34	6	33	4,5	7,5	4,1
LMK16GA	16	0 / -9	28	0 / -19	37	± 300	48	37	6	38	4,5	7,5	4,1
LMK20GA	20	0 / -10	32	0 / -19	42	± 300	54	42	8	43	5,5	9	5,1
LMK25GA	25	0 / -10	40	0 / -19	59	± 300	62	50	8	51	5,5	9	5,1
LMK30GA	30	0 / -10	45	0 / -19	64	± 300	74	58	10	60	6,6	11	6,1
LMK35GA	35	0 / -12	52	0 / -22	70	± 300	82	64	10	67	6,6	11	6,1
LMK40GA	40	0 / -12	60	0 / -22	80	± 300	96	75	13	78	9	14	8,1
LMK50GA	50	0 / -12	80	0 / -22	100	± 300	116	92	13	98	9	14	8,1
LMK60GA	60	0 / -15	90	0 / -25	110	± 300	134	106	18	112	11	17	11,1
LMK80GA *	80	0 / -15	120	0 / -25	140	0 / -400	164	136	18	142	11	17	11,1
LMK100GA *	100	0 / -20	150	0 / -29	175	0 / -400	200	170	20	175	14	20	13,1

* on demand

Subject to errors and technical changes

Current prices can be found in the
DOLD Mechatronics web shop.

info@dold-mechatronik.de
www.dold-mechatronik.de

Page 9
DOLD Mechatronik GmbH
Schleifmattstr. 2 – D-77716 Haslach
Phone: +49 7832 / 946 980

Linear Bearing with Square Flange

Standard Length LEMK...GA



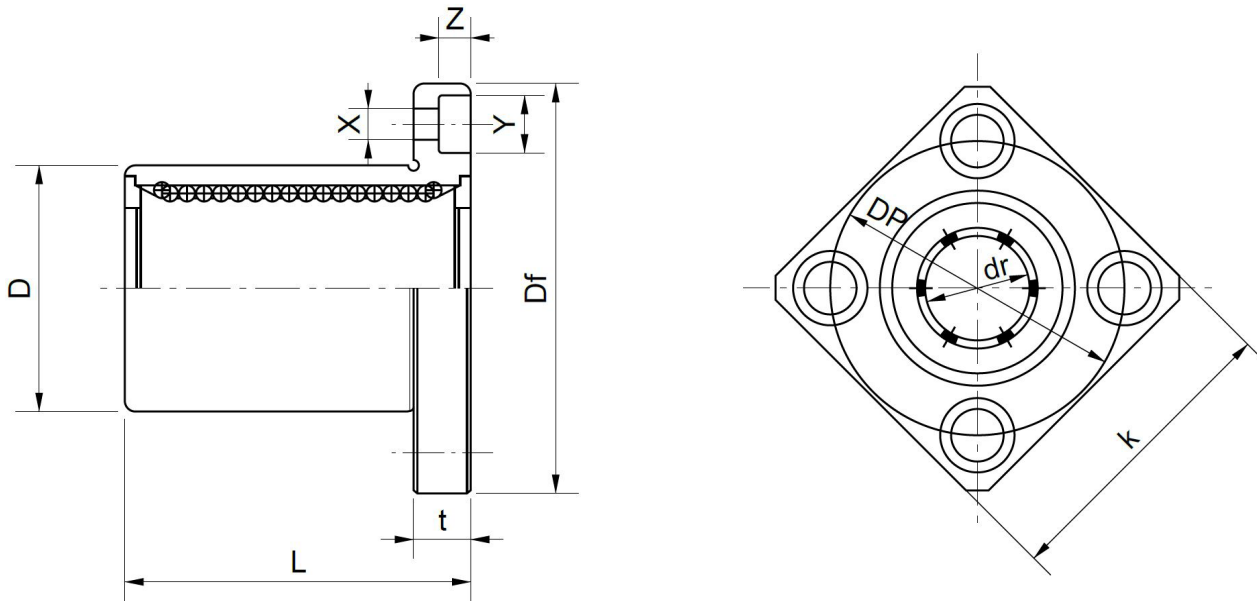
LMEK = Bearing with square flange according to the metric-European standard.
GA = high temperature resistant up to 200 °C.

Art.Nr. / Item No.	Wellendurch- messer / Shaft Diameter	Exzentrizität / Eccentricity (µm)	Rechtwinkligkeit / Squareness (µm)	Tragzahl / Basic load rating		Gewicht / Weight (g)
				Dynamisch C N Dynamic C N	Statisch Co N Static Co N	
LMEK8GA	Ø8	12	12	265	402	38.2
LMEK12GA	Ø12	12	12	510	784	75.9
LMEK16GA	Ø16	12	12	578	892	106.5
LMEK20GA	Ø20	15	15	862	1370	176.3
LMEK25GA	Ø25	15	15	980	1570	351.9
LMEK30GA	Ø30	15	15	1570	2740	557.3
LMEK40GA *	Ø40	17	17	2160	4020	1164
LMEK50GA *	Ø50	17	17	3820	7940	1545
LMEK60GA *	Ø60	20	20	4700	9800	2780
LMEK80GA *	Ø80	25	20	7350	16000	5920

* on demand

Linear Bearing with Square Flange

Standard Length LEMK...GA

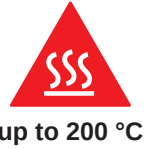


Art.Nr. / Item No.	Maße und Toleranzen / Dimensions and tolerances												
	dr		D		L		Df	K	t	Dp	X	Y	Z
	mm	Tol. μm	mm	Tol. μm	mm	Tol. μm	mm	mm	mm	mm	mm	mm	mm
LMEK8GA	8	+8 / 0	16	0 / -13	25	± 300	32	25	5	24	3,5	6	3,1
LMEK12GA	12	+8 / 0	22	0 / -16	32	± 300	42	32	6	32	4,5	7,5	4,1
LMEK16GA	16	+9 / -1	26	0 / -16	36	± 300	46	35	6	36	4,5	7,5	4,1
LMEK20GA	20	+9 / -1	32	0 / -19	45	± 300	54	42	8	43	5,5	9	5,1
LMEK25GA	25	+11 / -1	40	0 / -19	58	± 300	62	50	8	51	5,5	9	5,1
LMEK30GA	30	+11 / -1	47	0 / -19	68	± 300	76	60	10	62	6,6	11	6,1
LMEK40GA *	40	+13 / -2	62	0 / -22	80	± 300	98	75	13	80	9	14	8,1
LMEK50GA *	50	+13 / -2	75	0 / -22	100	± 300	112	88	13	94	9	14	8,1
LMEK60GA *	60	+13 / -2	90	0 / -25	125	0 / -400	134	106	18	112	11	17	11,1
LMEK80GA *	80	+16 / -4	120	0 / -25	165	0 / -400	164	136	18	142	11	17	11,1

* on demand

Linear Bearing with Two Side Cut Flange

Standard Length LMH...GA



LMH = Bearing with two side cut flange according to the metric-Japanese standard.
GA = high temperature resistant up to 200 °C.

Art.Nr. / Item No.	Wellendurch- messer / Shaft Diameter	Exzentrizität / Eccentricity (µm)	Rechtwinkligkeit / Squareness (µm)	Tragzahl / Basic load rating		Gewicht / Weight (g)
				Dynamisch C N Dynamic C N	Statisch Co N Static Co N	
LMH5GA	Ø5	12	12	167	206	16.5
LMH6GA	Ø6	12	12	206	265	22.3
LMH8GA	Ø8	12	12	274	392	35.3
LMH10GA	Ø10	12	12	372	549	65.5
LMH12GA	Ø12	12	12	510	784	73.2
LMH13GA	Ø13	12	12	510	784	88
LMH16GA	Ø16	12	12	774	1180	129
LMH20GA	Ø20	12	12	882	1370	192
LMH25GA	Ø25	15	15	980	1570	387
LMH30GA	Ø30	15	15	1570	2740	464
LMH35GA	Ø35	20	20	1670	3140	679
LMH40GA	Ø40	20	20	2160	4020	1065

* on demand

Subject to errors and technical changes

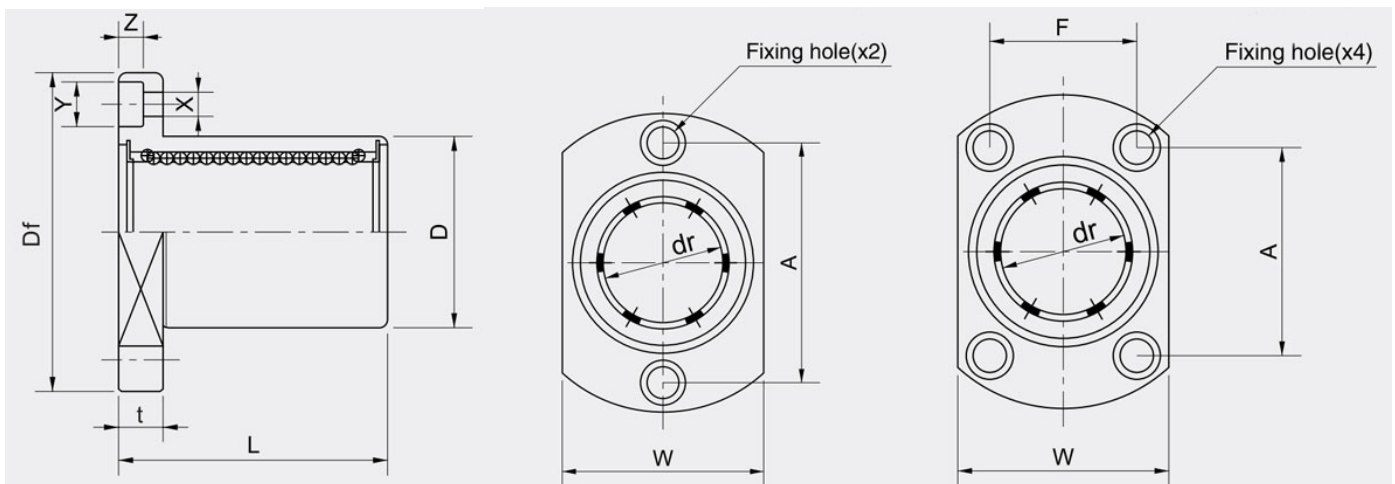
Current prices can be found in the
DOLD Mechatronics web shop.

info@dold-mechatronik.de
www.dold-mechatronik.de

Page 12
DOLD Mechatronik GmbH
Schleifmattstr. 2 – D-77716 Haslach
Phone: +49 7832 / 946 980

Linear Bearing with Two Side Cut Flange

Standard Length LMH...GA



bis LMH13GA /
till LMH13GA

ab LMH16GA und größer
I from LMH16GA and
bigger

Art.Nr. / Item No.	Maße und Toleranzen / Dimensions and tolerances													
	dr		D		L		Df	W	t	A	F	X	Y	Z
	mm	Tol. μm	mm	Tol. μm	mm	Tol. μm	mm	mm	mm	mm	mm	mm	mm	mm
LMH5GA	5	0 / -9	10	0 / -13	15	± 300	26	16	5	18	-	3.5	6	3.1
LMH6GA	6	0 / -9	12	0 / -13	19	± 300	28	18	5	20	-	3.5	6	3.1
LMH8GA	8	0 / -9	15	0 / -13	24	± 300	32	21	5	24	-	3.5	6	3.1
LMH10GA	10	0 / -9	19	0 / -13	29	± 300	40	25	6	29	-	4.5	7.5	4.1
LMH12GA	12	0 / -9	21	0 / -16	30	± 300	42	27	6	32	-	4.5	7.5	4.1
LMH13GA	13	0 / -9	23	0 / -16	32	± 300	43	29	6	33	-	4.5	7.5	4.1
LMH16GA	16	0 / -9	28	0 / -16	37	± 300	48	34	6	31	22	4.5	7.5	4.1
LMH20GA	20	0 / -10	32	0 / -19	42	± 300	54	38	8	36	24	5.5	9	5.1
LMH25GA	25	0 / -10	40	0 / -19	59	± 300	62	46	8	40	32	5.5	9	5.1
LMH30GA	30	0 / -10	45	0 / -19	64	± 300	74	51	10	49	35	6.6	11	6.1
LMH35GA	35	0 / -12	52	0 / -22	70	± 300	82	60	10	55	38	6.6	11	6.1
LMH40GA	40	0 / -12	60	0 / -22	80	± 300	96	70	13	64	45	9	14	8.1

* on demand

Linear Bearing with Round Flange

Long Version LMF...LGA



Picture follows



LMF = Bearing with round flange according to metric-Japanese standard.
LGA = high temperature resistant up to 200 °C, long version.

Art.Nr. / Item No.	Wellendurchmesser / Shaft Diameter	Exzentrizität / Eccentricity (µm)	Rechtwinkligkeit / Squareness (µm)	Tragzahl / Basic load rating		Gewicht / Weight (g)
				Dynamisch C N Dynamic C N	Statisch Co N Static Co N	
LMF5LGA	Ø5	15	15	261	412	27
LMF6LGA	Ø6	15	15	323	529	33.6
LMF8LGA	Ø8	15	15	431	784	55.6
LMF10LGA	Ø10	15	15	588	1100	103
LMF12LGA	Ø12	15	15	813	1570	120.4
LMF13LGA	Ø13	15	15	813	1570	144
LMF16LGA	Ø16	15	15	1230	2350	224
LMF20LGA	Ø20	20	20	1400	2740	310
LMF25LGA	Ø25	20	20	1560	3140	664
LMF30LGA	Ø30	20	20	2490	5490	832
LMF35LGA	Ø35	25	25	2650	6270	1218
LMF40LGA	Ø40	25	25	3430	8040	1860
LMF50LGA	Ø50	25	25	6080	15900	3600
LMF60LGA	Ø60	30	30	7550	20000	4500
LMF80LGA *	Ø80	30	30	11500	32000	9090

* on demand

Subject to errors and technical changes

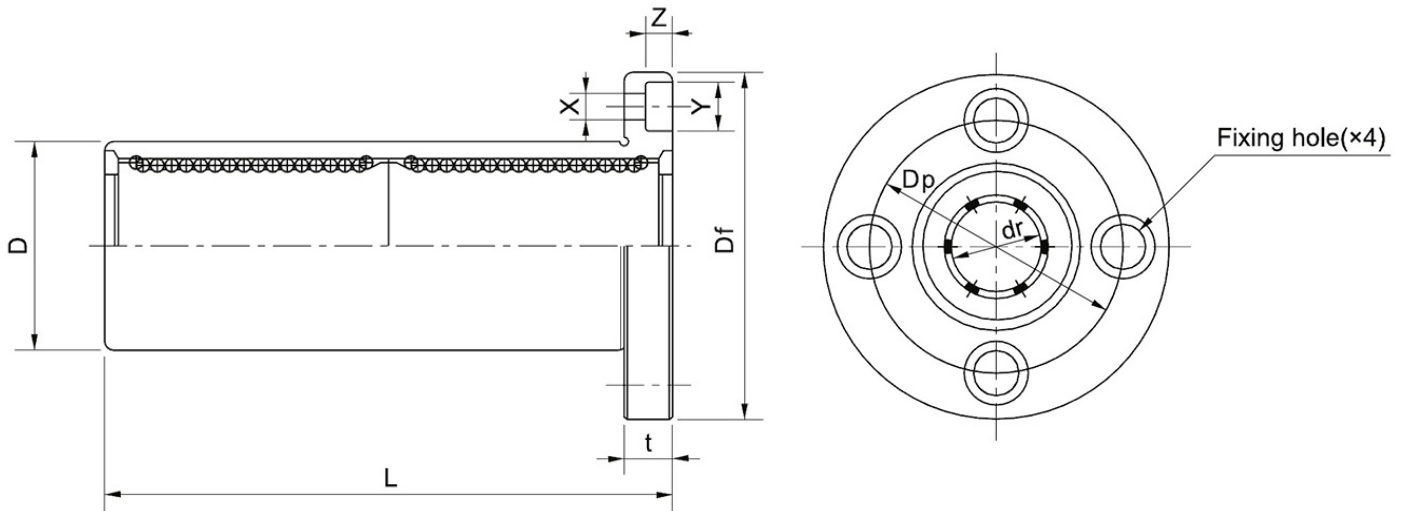
Current prices can be found in the
DOLD Mechatronics web shop.

info@dold-mechatronik.de
www.dold-mechatronik.de

Page 14
DOLD Mechatronik GmbH
Schleifmattstr. 2 – D-77716 Haslach
Phone: +49 7832 / 946 980

Linear Bearing with Round Flange

Long Version LMF...LGA



Art.Nr. / Item No.	Maße und Toleranzen / Dimensions and tolerances												
	dr		D		L		Df	K	t	Dp	X	Y	Z
	mm	Tol. μm	mm	Tol. μm	mm	Tol. μm	mm	mm	mm	mm	mm	mm	mm
LMF5LGA	5	0 / -10	10	0 / -13	28	± 300	26	21	5	18	3,5	6	3,1
LMF6LGA	6	0 / -10	12	0 / -13	35	± 300	28	22	5	20	3,5	6	3,1
LMF8LGA	8	0 / -10	15	0 / -13	45	± 300	32	25	5	24	3,5	6	3,1
LMF10LGA	10	0 / -10	19	0 / -16	55	± 300	40	30	6	29	4,5	7,5	4,1
LMF12LGA	12	0 / -10	21	0 / -16	57	± 300	42	32	6	32	4,5	7,5	4,1
LMF13LGA	13	0 / -10	23	0 / -16	61	± 300	43	34	6	33	4,5	7,5	4,1
LMF16LGA	16	0 / -10	28	0 / -16	70	± 300	48	37	6	38	4,5	7,5	4,1
LMF20LGA	20	0 / -12	32	0 / -19	80	± 300	54	42	8	43	5,5	9	5,1
LMF25LGA	25	0 / -12	40	0 / -19	112	0 / -400	62	50	8	51	5,5	9	5,1
LMF30LGA	30	0 / -12	45	0 / -19	123	0 / -400	74	58	10	60	6,6	11	6,1
LMF35LGA	35	0 / -15	52	0 / -22	135	0 / -400	82	64	10	67	6,6	11	6,1
LMF40LGA	40	0 / -15	60	0 / -22	151	0 / -400	96	75	13	78	9	14	8,1
LMF50LGA	50	0 / -15	80	0 / -22	192	0 / -400	116	92	13	98	9	14	8,1
LMF60LGA	60	0 / -20	90	0 / -25	209	0 / -400	134	106	18	112	11	17	11,1
LMF80LGA *	80	0 / -20	120	0 / -25	265	0 / -400	164	136	18	142	11	17	11,1

* on demand

Subject to errors and technical changes

Current prices can be found in the
DOLD Mechatronics web shop.

info@dold-mechatronik.de
www.dold-mechatronik.de

Page 15
DOLD Mechatronik GmbH
Schleifmattstr. 2 – D-77716 Haslach
Phone: +49 7832 / 946 980

Linear Bearing with Square Flange

Long Version LMK...LGA



Picture follows



LMK = Bearing with square flange according to metric-Japanese standard.
LGA = high temperature resistant up to 200 °C, long version.

Art.Nr. / Item No.	Wellendurchmesser / Shaft Diameter	Exzentrizität / Eccentricity (µm)	Rechtwinkligkeit / Squareness (µm)	Tragzahl / Basic load rating		Gewicht / Weight (g)
				Dynamisch C N Dynamic C N	Statisch Co N Static Co N	
LMK5LGA	Ø5	15	15	261	412	22
LMK6LGA	Ø6	15	15	323	529	27.6
LMK8LGA	Ø8	15	15	431	784	47.6
LMK10LGA	Ø10	15	15	588	1100	83
LMK12LGA	Ø12	15	15	813	1570	100.4
LMK13LGA	Ø13	15	15	813	1570	122
LMK16LGA	Ø16	15	15	1230	2350	199
LMK20LGA	Ø20	20	20	1400	2740	275
LMK25LGA	Ø25	20	20	1560	3140	624
LMK30LGA	Ø30	20	20	2490	5490	742
LMK35LGA	Ø35	25	25	2650	6270	1128
LMK40LGA	Ø40	25	25	3430	8040	1670
LMK50LGA	Ø50	25	25	6080	15900	3400
LMK60LGA	Ø60	30	30	7550	20000	4060
LMK80LGA *	Ø80	30	30	11500	32000	8590

* on demand

Subject to errors and technical changes

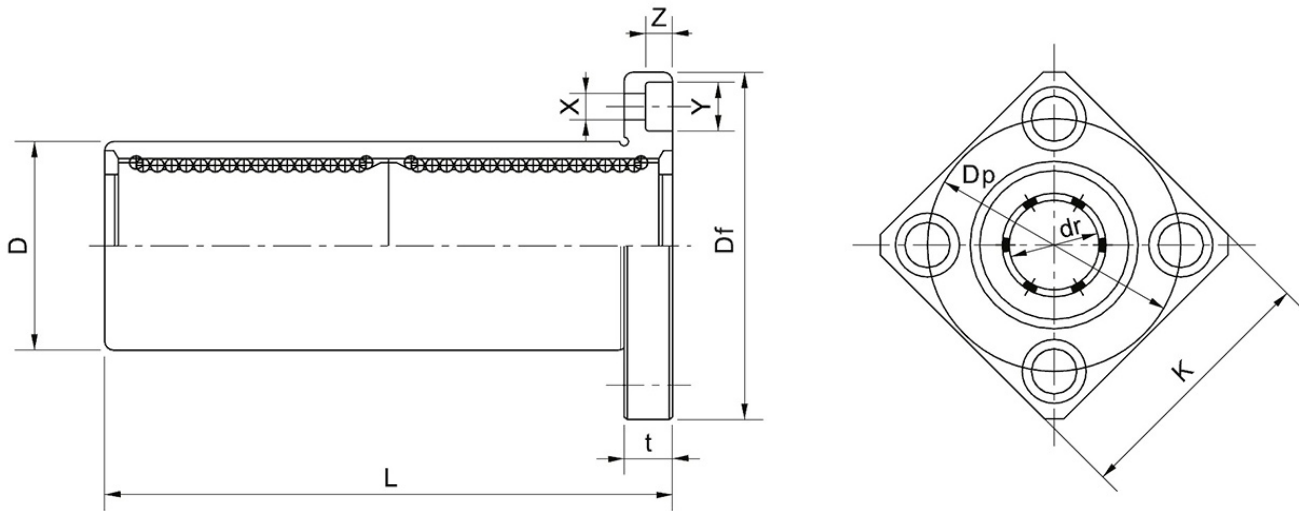
Current prices can be found in the
DOLD Mechatronics web shop.

info@dold-mechatronik.de
www.dold-mechatronik.de

Page 16
DOLD Mechatronik GmbH
Schleifmattstr. 2 – D-77716 Haslach
Phone: +49 7832 / 946 980

Linear Bearing with Square Flange

Long Version LMK...LGA



Art.Nr. / Item No.	Maße und Toleranzen / Dimensions and tolerances												
	dr		D		L		Df	K	t	Dp	X	Y	Z
	mm	Tol. μm	mm	Tol. μm	mm	Tol. μm	mm	mm	mm	mm	mm	mm	mm
LMK5LGA	5	0 / -10	10	0 / -13	28	± 300	26	21	5	18	3,5	6	3,1
LMK6LGA	6	0 / -10	12	0 / -13	35	± 300	28	22	5	20	3,5	6	3,1
LMK8LGA	8	0 / -10	15	0 / -13	45	± 300	32	25	5	24	3,5	6	3,1
LMK10LGA	10	0 / -10	19	0 / -16	55	± 300	40	30	6	29	4,5	7,5	4,1
LMK12LGA	12	0 / -10	21	0 / -16	57	± 300	42	32	6	32	4,5	7,5	4,1
LMK13LGA	13	0 / -10	23	0 / -16	61	± 300	43	34	6	33	4,5	7,5	4,1
LMK16LGA	16	0 / -10	28	0 / -16	70	± 300	48	37	6	38	4,5	7,5	4,1
LMK20LGA	20	0 / -12	32	0 / -19	80	± 300	54	42	8	43	5,5	9	5,1
LMK25LGA	25	0 / -12	40	0 / -19	112	0 / -400	62	50	8	51	5,5	9	5,1
LMK30LGA	30	0 / -12	45	0 / -19	123	0 / -400	74	58	10	60	6,6	11	6,1
LMK35LGA	35	0 / -15	52	0 / -22	135	0 / -400	82	64	10	67	6,6	11	6,1
LMK40LGA	40	0 / -15	60	0 / -22	151	0 / -400	96	75	13	78	9	14	8,1
LMK50LGA	50	0 / -15	80	0 / -22	192	0 / -400	116	92	13	98	9	14	8,1
LMK60LGA	60	0 / -20	90	0 / -25	209	0 / -400	134	106	18	112	11	17	11,1
LMK80LGA *	80	0 / -20	120	0 / -25	265	0 / -400	164	136	18	142	11	17	11,1

* on demand

Subject to errors and technical changes

Current prices can be found in the
DOLD Mechatronics web shop.

info@dold-mechatronik.de
www.dold-mechatronik.de

Page 17
DOLD Mechatronik GmbH
Schleifmattstr. 2 – D-77716 Haslach
Phone: +49 7832 / 946 980

Linear Bearing with Two Side Cut Flange

Long Version LMH...LGA



Picture follows



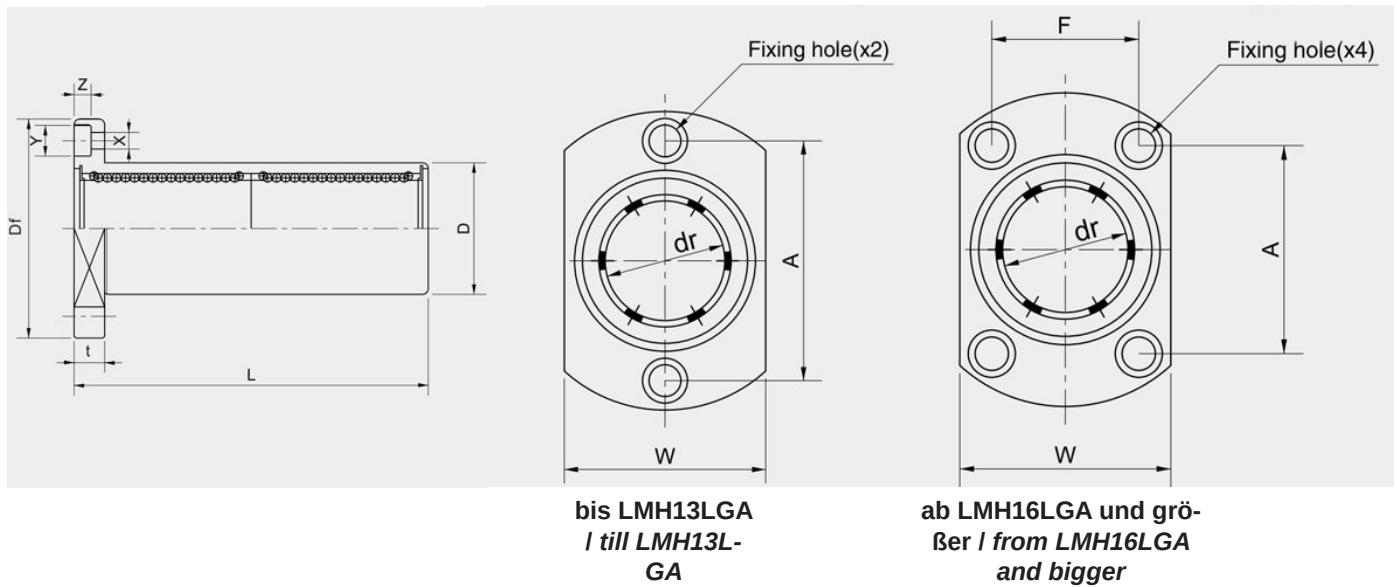
LMH = Bearing with two side cut flange according to the metric-Japanese standard.
LGA = high temperature resistant up to 200 °C, long version

Art.Nr. / Item No.	Wellendurch- messer / Shaft Diameter	Exzentrizität / Eccentricity (µm)	Rechtwinkligkeit / Squareness (µm)	Tragzahl / Basic load rating		Gewicht / Weight (g)
				Dynamisch C N Dynamic C N	Statisch Co N Static Co N	
LMH5LGA	Ø5	15	15	261	412	24
LMH6LGA	Ø6	15	15	323	529	30.6
LMH8LGA	Ø8	15	15	431	784	51.6
LMH10LGA	Ø10	15	15	588	1100	95
LMH12LGA	Ø12	15	15	813	1570	112.4
LMH13LGA	Ø13	15	15	813	1570	137
LMH16LGA	Ø16	15	15	1230	2350	216
LMH20LGA	Ø20	15	15	1400	2740	297
LMH25LGA	Ø25	20	20	1560	3140	649
LMH30LGA	Ø30	20	20	2490	5490	797
LMH35LGA	Ø35	25	25	2650	6270	1148
LMH40LGA	Ø40	25	25	3430	8040	1740

* on demand

Linear Bearing with Two Side Cut Flange

Long Version LMH...LGA

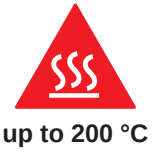


Art.Nr. / Item No.	Maße und Toleranzen / Dimensions and tolerances													
	dr		D		L		Df	W	t	A	F	X	Y	Z
	mm	Tol. µm	mm	Tol. µm	mm	Tol. µm	mm	mm	mm	mm	mm	mm	mm	mm
LMH5LGA	5	0 / -10	10	0 / -13	28	±300	26	16	5	18	-	3.5	6	3.1
LMH6LGA	6	0 / -10	12	0 / -13	35	±300	28	18	5	20	-	3.5	6	3.1
LMH8LGA	8	0 / -10	15	0 / -13	45	±300	32	21	5	24	-	3.5	6	3.1
LMH10LGA	10	0 / -10	19	0 / -13	55	±300	40	25	6	29	-	4.5	7.5	4.1
LMH12LGA	12	0 / -10	21	0 / -16	57	±300	42	27	6	32	-	4.5	7.5	4.1
LMH13LGA	13	0 / -10	23	0 / -16	61	±300	43	29	6	33	-	4.5	7.5	4.1
LMH16LGA	16	0 / -10	28	0 / -16	70	±300	48	34	6	31	22	4.5	7.5	4.1
LMH20LGA	20	0 / -12	32	0 / -19	80	±300	54	38	8	36	24	5.5	9	5.1
LMH25LGA	25	0 / -12	40	0 / -19	112	±300	62	46	8	40	32	5.5	9	5.1
LMH30LGA	30	0 / -12	45	0 / -19	123	±300	74	51	10	49	35	6.6	11	6.1
LMH35LGA	35	0 / -15	52	0 / -22	135	±300	82	60	10	55	38	6.6	11	6.1
LMH40LGA	40	0 / -1	60	0 / -22	151	±300	96	70	13	64	45	9	14	8.1

* on demand

Linear Bearing with Round Pilot Flange

Standard Length LMFP...GA



Picture follows



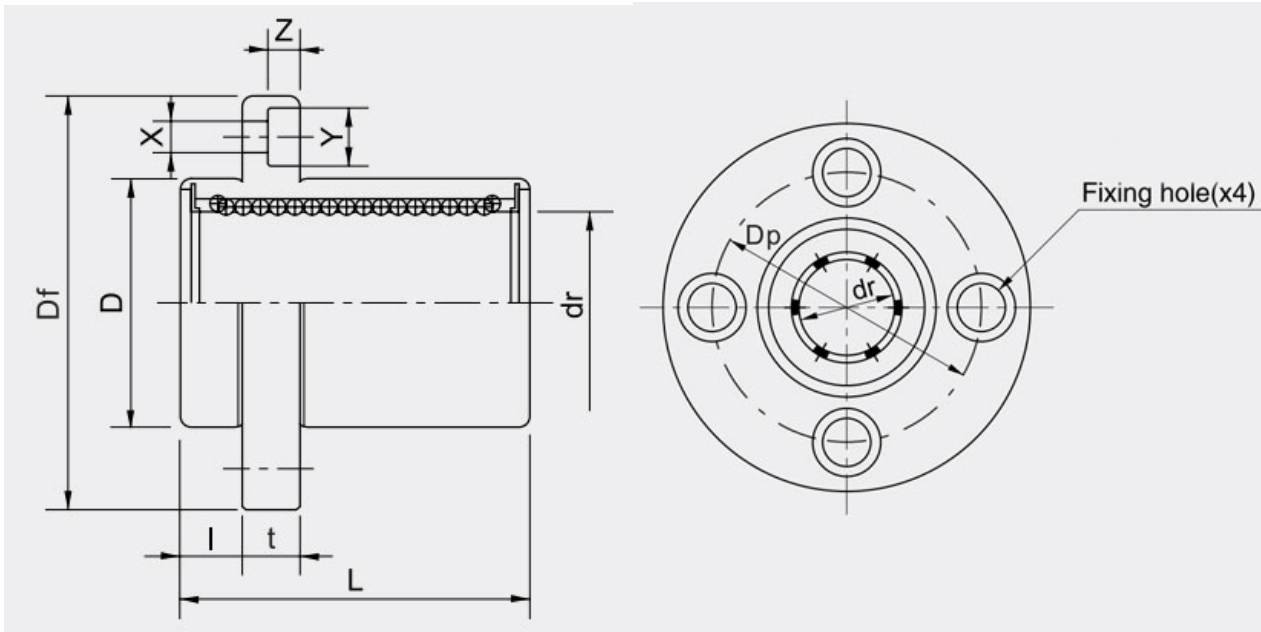
LMFP = Bearing with round pilot flange according to metric-Japanese standard.
GA = high temperature resistant up to 200 °C.

Art.Nr. / Item No.	Wellendurchmesser / Shaft Diameter	Exzentrizität / Eccentricity (µm)	Rechtwinkligkeit / Squareness (µm)	Tragzahl / Basic load rating		Gewicht / Weight (g)
				Dynamisch C N Dynamic C N	Statisch Co N Static Co N	
LMFP6GA	Ø6	12	12	206	265	25.3
LMFP8GA	Ø8	12	12	274	392	39.3
LMFP10GA	Ø10	12	12	372	549	74.5
LMFP12GA	Ø12	12	12	510	784	81.2
LMFP13GA	Ø13	12	12	510	784	95
LMFP16GA	Ø16	12	12	774	1180	137
LMFP20GA	Ø20	15	15	882	1370	205
LMFP25GA	Ø25	15	15	980	1570	402
LMFP30GA	Ø30	15	15	1570	2740	546
LMFP35GA	Ø35	20	20	1670	3140	789
LMFP40GA	Ø40	20	20	2160	4020	1205
LMFP50GA	Ø50	20	20	3820	7940	2200
LMFP60GA	Ø60	25	25	4700	10000	3000
LMFP80GA *	Ø80	25	25	7350	16000	5800

* on demand

Linear Bearing with Round Pilot Flange

Standard Length LMFP...GA



Art.Nr. / Item No.	Maße und Toleranzen / Dimensions and tolerances													
	dr		D		L		l	Df	K	t	Dp	X	Y	Z
	mm	Tol. μm	mm	Tol. μm	mm	Tol. μm	mm	mm	mm	mm	mm	mm	mm	mm
LMFP6GA	6	0 / -9	12	0 / -13	35	± 300	5	28	22	5	20	3,5	6	3,1
LMFP8GA	8	0 / -9	15	0 / -13	45	± 300	5	32	25	5	24	3,5	6	3,1
LMFP10GA	10	0 / -9	19	0 / -13	55	± 300	6	40	30	6	29	4,5	7,5	4,1
LMFP12GA	12	0 / -9	21	0 / -16	57	± 300	6	42	32	6	32	4,5	7,5	4,1
LMFP13GA	13	0 / -9	23	0 / -16	61	± 300	6	43	34	6	33	4,5	7,5	4,1
LMFP16GA	16	0 / -9	28	0 / -16	70	± 300	6	48	37	6	38	4,5	7,5	4,1
LMFP20GA	20	0 / -10	32	0 / -19	80	± 300	8	54	42	8	43	5,5	9	5,1
LMFP25GA	25	0 / -10	40	0 / -19	112	± 300	8	62	50	8	51	5,5	9	5,1
LMFP30GA	30	0 / -10	45	0 / -19	123	± 300	10	74	58	10	60	6,6	11	6,1
LMFP35GA	35	0 / -12	52	0 / -22	135	± 300	10	82	64	10	67	6,6	11	6,1
LMFP40GA	40	0 / -12	60	0 / -22	151	± 300	13	96	75	13	78	9	14	8,1
LMFP50GA	50	0 / -12	80	0 / -22	192	± 300	13	116	92	13	98	9	14	8,1
LMFP60GA	60	0 / -15	90	0 / -25	209	0 / -400	18	134	106	18	112	11	17	11,1
LMFP80GA *	80	0 / -15	120	0 / -25	265	0 / -400	18	164	136	18	142	11	17	11,1

* on demand

Linear Bearing with Square Pilot Flange

Standard Length LMKP...GA



Picture follows



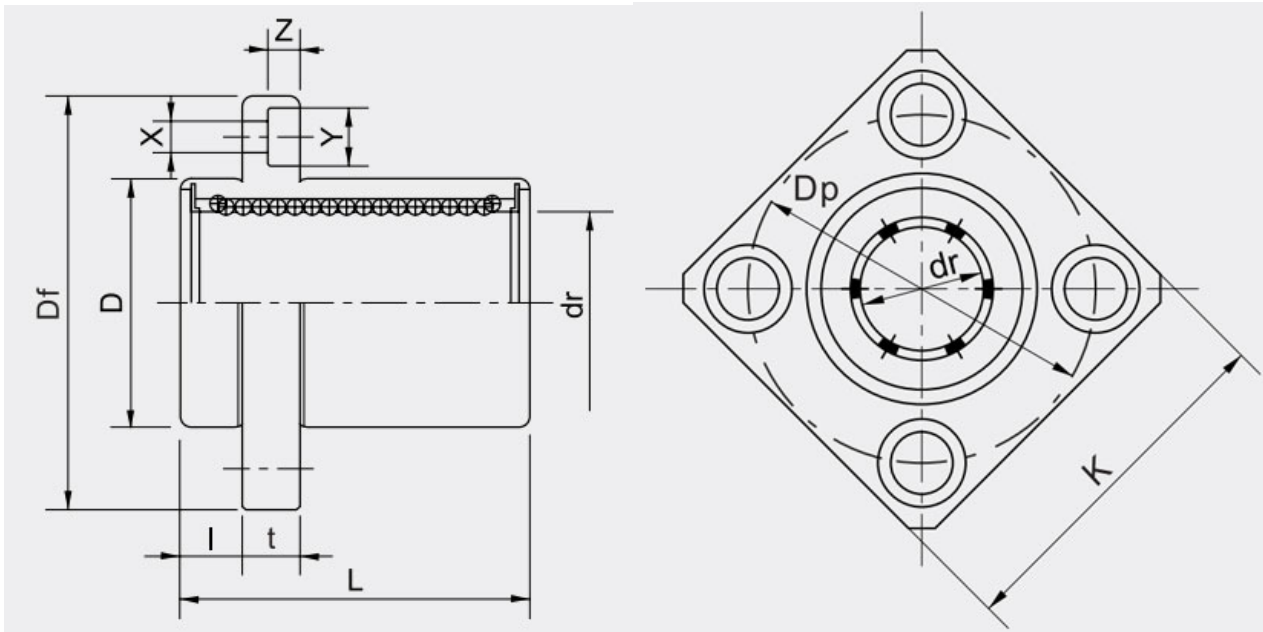
LMKP = Bearing with square pilot flange according to metric-Japanese standard.
GA = high temperature resistant up to 200 °C.

Art.Nr. / Item No.	Wellendurchmesser / Shaft Diameter	Exzentrizität / Eccentricity (µm)	Rechtwinkligkeit / Squareness (µm)	Tragzahl / Basic load rating		Gewicht / Weight (g)
				Dynamisch C N Dynamic C N	Statisch Co N Static Co N	
LMKP6GA	Ø6	12	12	206	265	19.3
LMKP8GA	Ø8	12	12	274	392	31.3
LMKP10GA	Ø10	12	12	372	549	54.5
LMKP12GA	Ø12	12	12	510	784	62.2
LMKP13GA	Ø13	12	12	510	784	79
LMKP16GA	Ø16	12	12	774	1180	121
LMKP20GA	Ø20	15	15	882	1370	170
LMKP25GA	Ø25	15	15	980	1570	362
LMKP30GA	Ø30	15	15	1570	2740	451
LMKP35GA	Ø35	20	20	1670	3140	659
LMKP40GA	Ø40	20	20	2160	4020	1025
LMKP50GA	Ø50	20	20	3820	7940	2000
LMKP60GA	Ø60	25	25	4700	10000	2560
LMKP80GA *	Ø80	25	25	7350	16000	5300

* on demand

Linear Bearing with Square Pilot Flange

Standard Length LMKP...GA



Art.Nr. / Item No.	Maße und Toleranzen / Dimensions and tolerances													
	dr		D		L		l	Df	K	t	Dp	X	Y	Z
	mm	Tol. μm	mm	Tol. μm	mm	Tol. μm	mm	mm	mm	mm	mm	mm	mm	mm
LMKP6GA	6	0 / -9	12	0 / -13	19	± 300	5	28	22	5	20	3,5	6	3,1
LMKP8GA	8	0 / -9	15	0 / -13	24	± 300	5	32	25	5	24	3,5	6	3,1
LMKP10GA	10	0 / -9	19	0 / -16	29	± 300	6	40	30	6	29	4,5	7,5	4,1
LMKP12GA	12	0 / -9	21	0 / -16	30	± 300	6	42	32	6	32	4,5	7,5	4,1
LMKP13GA	13	0 / -9	23	0 / -16	32	± 300	6	43	34	6	33	4,5	7,5	4,1
LMKP16GA	16	0 / -9	28	0 / -19	37	± 300	6	48	37	6	38	4,5	7,5	4,1
LMKP20GA	20	0 / -10	32	0 / -19	42	± 300	8	54	42	8	43	5,5	9	5,1
LMKP25GA	25	0 / -10	40	0 / -19	59	± 300	8	62	50	8	51	5,5	9	5,1
LMKP30GA	30	0 / -10	45	0 / -19	64	± 300	10	74	58	10	60	6,6	11	6,1
LMKP35GA	35	0 / -12	52	0 / -22	70	± 300	10	82	64	10	67	6,6	11	6,1
LMKP40GA	40	0 / -12	60	0 / -22	80	± 300	13	96	75	13	78	9	14	8,1
LMKP50GA	50	0 / -12	80	0 / -22	100	± 300	13	116	92	13	98	9	14	8,1
LMKP60GA	60	0 / -15	90	0 / -25	110	0 / -400	18	134	106	18	112	11	17	11,1
LMKP80GA *	80	0 / -15	120	0 / -25	140	0 / -400	18	164	136	18	142	11	17	11,1

* on demand

Linear Bearing with Two Side Cut Pilot Flange

Standard Length LMHP...GA



Picture follows

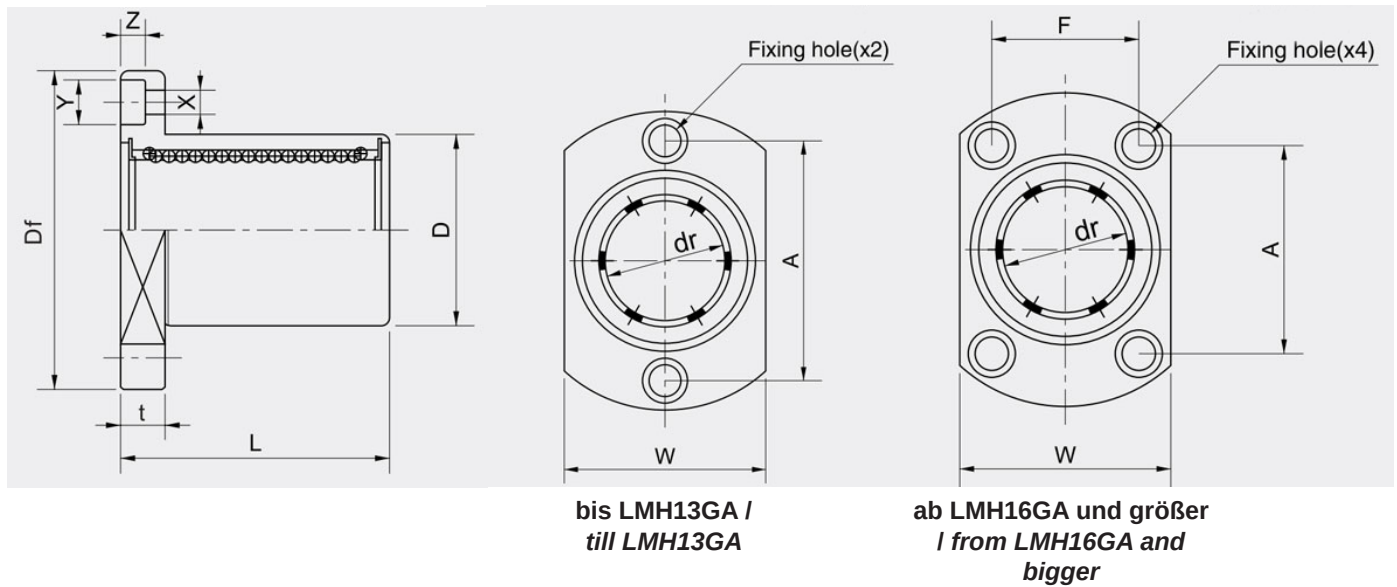


LMH = Bearing with two side cut pilot flange according to the metric-Japanese standard.
GA = high temperature resistant up to 200 °C.

Art.Nr. / Item No.	Wellendurchmesser / Shaft Diameter	Exzentrizität / Eccentricity (µm)	Rechtwinkligkeit / Squareness (µm)	Tragzahl / Basic load rating		Gewicht / Weight (g)
				Dynamisch C N Dynamic C N	Statisch Co N Static Co N	
LMHP6GA	Ø6	12	12	206	265	22.3
LMHP8GA	Ø8	12	12	274	392	35.3
LMHP10GA	Ø10	12	12	372	549	65.5
LMHP12GA	Ø12	12	12	510	784	73.2
LMHP13GA	Ø13	12	12	510	784	88
LMHP16GA	Ø16	12	12	774	1180	129
LMHP20GA	Ø20	12	12	882	1370	192
LMHP25GA	Ø25	15	15	980	1570	387
LMHP30GA	Ø30	15	15	1570	2740	464
LMHP35GA	Ø35	20	20	1670	3140	679
LMHP40GA	Ø40	20	20	2160	4020	1065

Linear Bearing with Two Side Cut Pilot Flange

Standard Length LMHP...GA



Art.Nr. / Item No.	Maße und Toleranzen / Dimensions and tolerances														
	dr		D		L		l	Df	W	t	A	F	X	Y	Z
	mm	Tol. μm	mm	Tol. μm	mm	Tol. μm	mm	mm	mm	mm	mm	mm	mm	mm	mm
LMHP6GA	6	0 / -9	12	0 / -13	19	± 300	5	28	18	5	20	-	3.5	6	3.1
LMHP8GA	8	0 / -9	15	0 / -13	24	± 300	5	32	21	5	24	-	3.5	6	3.1
LMHP10GA	10	0 / -9	19	0 / -13	29	± 300	6	40	25	6	29	-	4.5	7.5	4.1
LMHP12GA	12	0 / -9	21	0 / -16	30	± 300	6	42	27	6	32	-	4.5	7.5	4.1
LMHP13GA	13	0 / -9	23	0 / -16	32	± 300	6	43	29	6	33	-	4.5	7.5	4.1
LMHP16GA	16	0 / -9	28	0 / -16	37	± 300	6	48	34	6	31	22	4.5	7.5	4.1
LMHP20GA	20	0 / -10	32	0 / -19	42	± 300	8	54	38	8	36	24	5.5	9	5.1
LMHP25GA	25	0 / -10	40	0 / -19	59	± 300	8	62	46	8	40	32	5.5	9	5.1
LMHP30GA	30	0 / -10	45	0 / -19	64	± 300	10	74	51	10	49	35	6.6	11	6.1
LMHP35GA	35	0 / -12	52	0 / -22	70	± 300	10	82	60	10	55	38	6.6	11	6.1
LMHP40GA	40	0 / -12	60	0 / -22	80	± 300	13	96	70	13	64	45	9	14	8.1

Linear Bearing with Round Pilot Flange

Long Version LMFP...LGA



Picture follows



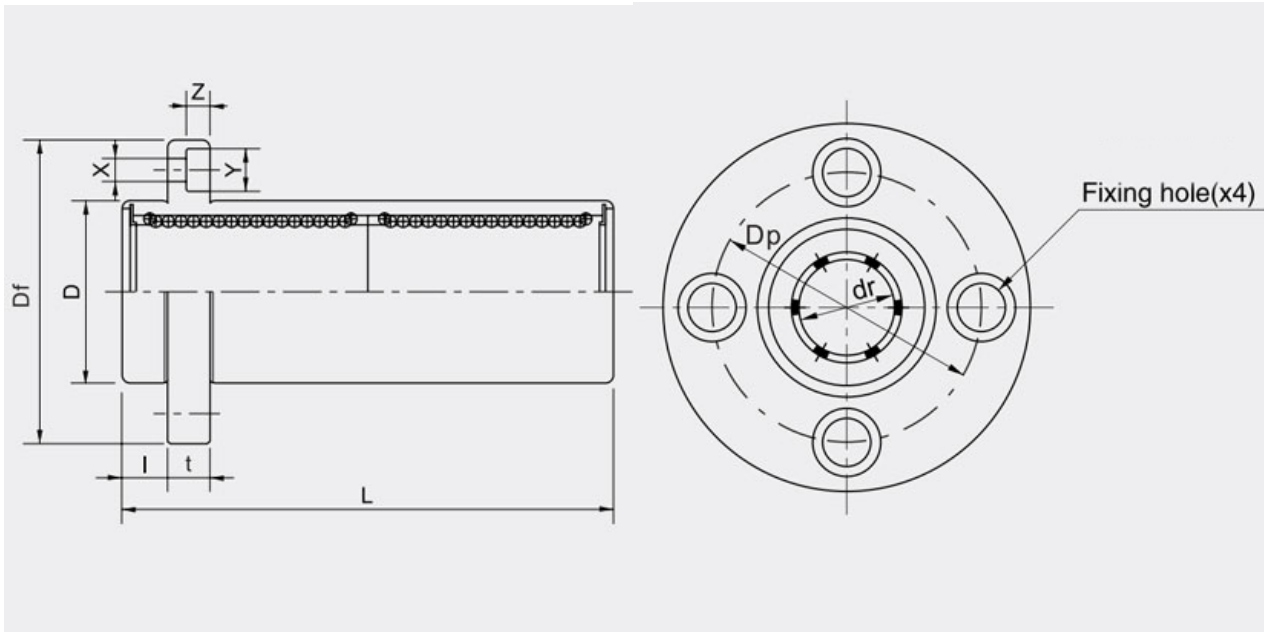
LMFP = Bearing with round pilot flange according to metric-Japanese standard.
LGA = high temperature resistant up to 200 °C, long Version

Art.Nr. / Item No.	Wellendurch- messer / Shaft Diameter	Exzentrizität / Eccentricity (µm)	Rechtwinkligkeit / Squareness (µm)	Tragzahl / Basic load rating		Gewicht / Weight (g)
				Dynamisch C N Dynamic C N	Statisch Co N Static Co N	
LMFP6LGA	Ø6	15	15	323	529	33.6
LMFP8LGA	Ø8	15	15	431	784	55.6
LMFP10LGA	Ø10	15	15	588	1100	103
LMFP12LGA	Ø12	15	15	813	1570	120.4
LMFP13LGA	Ø13	15	15	813	1570	144
LMFP16LGA	Ø16	15	15	1230	2350	224
LMFP20LGA	Ø20	20	20	1400	2740	310
LMFP25LGA	Ø25	20	20	1560	3140	664
LMFP30LGA	Ø30	20	20	2490	5490	832
LMFP35LGA	Ø35	25	25	2650	6270	1218
LMFP40LGA	Ø40	25	25	3430	8040	1860
LMFP50LGA	Ø50	25	25	6080	15900	3600
LMFP60LGA	Ø60	30	30	7550	20000	4500
LMFP80LGA *	Ø80	30	30	11500	32000	9090

* on demand

Linear Bearing with Round Pilot Flange

Long Version LMFP...LGA



Art.Nr. / Item No.	Maße und Toleranzen / Dimensions and tolerances													
	dr		D		L		l	Df	K	t	Dp	X	Y	Z
	mm	Tol. μm	mm	Tol. μm	mm	Tol. μm	mm	mm	mm	mm	mm	mm	mm	mm
LMFP6LGA	6	0 / -10	12	0 / -13	35	± 300	5	28	22	5	20	3,5	6	3,1
LMFP8LGA	8	0 / -10	15	0 / -13	45	± 300	5	32	25	5	24	3,5	6	3,1
LMFP10LGA	10	0 / -10	19	0 / -16	55	± 300	8	40	30	6	29	4,5	7,5	4,1
LMFP12LGA	12	0 / -10	21	0 / -16	57	± 300	6	42	32	6	32	4,5	7,5	4,1
LMFP13LGA	13	0 / -10	23	0 / -16	61	± 300	6	43	34	6	33	4,5	7,5	4,1
LMFP16LGA	16	0 / -10	28	0 / -16	70	± 300	6	48	37	6	38	4,5	7,5	4,1
LMFP20LGA	20	0 / -12	32	0 / -19	80	± 300	8	54	42	8	43	5,5	9	5,1
LMFP25LGA	25	0 / -12	40	0 / -19	112	0 / -400	8	62	50	8	51	5,5	9	5,1
LMFP30LGA	30	0 / -12	45	0 / -19	123	0 / -400	10	74	58	10	60	6,6	11	6,1
LMFP35LGA	35	0 / -15	52	0 / -22	135	0 / -400	10	82	64	10	67	6,6	11	6,1
LMFP40LGA	40	0 / -15	60	0 / -22	151	0 / -400	13	96	75	13	78	9	14	8,1
LMFP50LGA	50	0 / -15	80	0 / -22	192	0 / -400	13	116	92	13	98	9	14	8,1
LMFP60LGA	60	0 / -20	90	0 / -25	209	0 / -400	18	134	106	18	112	11	17	11,1
LMFP80LGA *	80	0 / -20	120	0 / -25	265	0 / -400	18	164	136	18	142	11	17	11,1

* on demand

Linear Bearing with Square Pilot Flange

Standard Length LMKP...GA



Picture follows



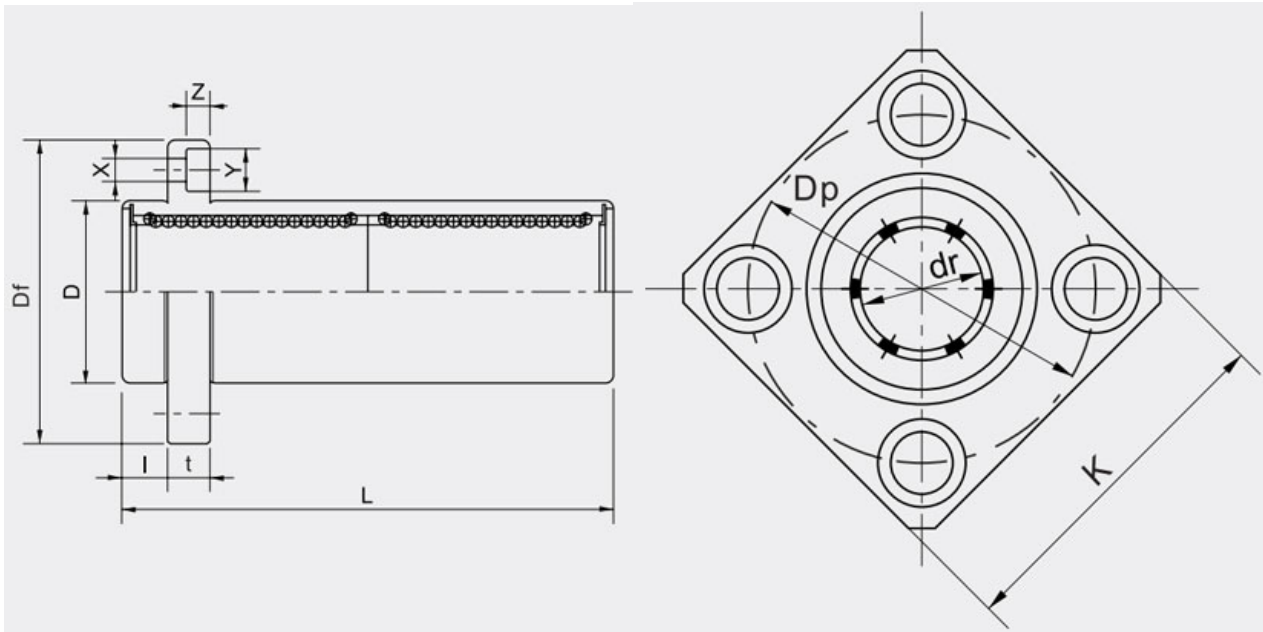
LMKP = Bearing with square pilot flange according to metric-Japanese standard.
LGA = high temperature resistant up to 200 °C, long Version,

Art.Nr. / Item No.	Wellendurch- messer / Shaft Diameter	Exzentrizität / Eccentricity (µm)	Rechtwinkligkeit / Squareness (µm)	Tragzahl / Basic load rating		Gewicht / Weight (g)
				Dynamisch C N Dynamic C N	Statisch Co N Static Co N	
LMKP6LGA	Ø6	15	15	323	529	27.6
LMKP8LGA	Ø8	15	15	431	784	47.6
LMKP10LGA	Ø10	15	15	588	1100	83
LMKP12LGA	Ø12	15	15	813	1570	100.4
LMKP13LGA	Ø13	15	15	813	1570	122
LMKP16LGA	Ø16	15	15	1230	2350	199
LMKP20LGA	Ø20	20	20	1400	2740	275
LMKP25LGA	Ø25	20	20	1560	3140	624
LMKP30LGA	Ø30	20	20	2490	5490	742
LMKP35LGA	Ø35	25	25	2650	6270	1128
LMKP40LGA	Ø40	25	25	3430	8040	1670
LMKP50LGA	Ø50	25	25	6080	15900	3400
LMKP60LGA	Ø60	30	30	7550	20000	4060
LMKP80LGA *	Ø80	30	30	11500	32000	8590

* on demand

Linear Bearing with Square Pilot Flange

Standard Length LMKP...GA



Art.Nr. / Item No.	Maße und Toleranzen / Dimensions and tolerances													
	dr		D		L		l	Df	K	t	Dp	X	Y	Z
	mm	Tol. μm	mm	Tol. μm	mm	Tol. μm	mm	mm	mm	mm	mm	mm	mm	mm
LMKP6LGA	6	0 / -10	12	0 / -13	35	± 300	5	28	22	5	20	3,5	6	3,1
LMKP8LGA	8	0 / -10	15	0 / -13	45	± 300	5	32	25	5	24	3,5	6	3,1
LMKP10LGA	10	0 / -10	19	0 / -16	55	± 300	6	40	30	6	29	4,5	7,5	4,1
LMKP12LGA	12	0 / -10	21	0 / -16	57	± 300	6	42	32	6	32	4,5	7,5	4,1
LMKP13LGA	13	0 / -10	23	0 / -16	61	± 300	6	43	34	6	33	4,5	7,5	4,1
LMKP16LGA	16	0 / -10	28	0 / -16	70	± 300	6	48	37	6	38	4,5	7,5	4,1
LMKP20LGA	20	0 / -12	32	0 / -19	80	± 300	8	54	42	8	43	5,5	9	5,1
LMKP25LGA	25	0 / -12	40	0 / -19	112	0 / -400	8	62	50	8	51	5,5	9	5,1
LMKP30LGA	30	0 / -12	45	0 / -19	123	0 / -400	10	74	58	10	60	6,6	11	6,1
LMKP35LGA	35	0 / -15	52	0 / -22	135	0 / -400	10	82	64	10	67	6,6	11	6,1
LMKP40LGA	40	0 / -15	60	0 / -22	151	0 / -400	13	96	75	13	78	9	14	8,1
LMKP50LGA	50	0 / -15	80	0 / -22	192	0 / -400	13	116	92	13	98	9	14	8,1
LMKP60LGA	60	0 / -20	90	0 / -25	209	0 / -400	18	134	106	18	112	11	17	11,1
LMKP80LGA *	80	0 / -20	120	0 / -25	265	0 / -400	18	164	136	18	142	11	17	11,1

* on demand



Picture follows

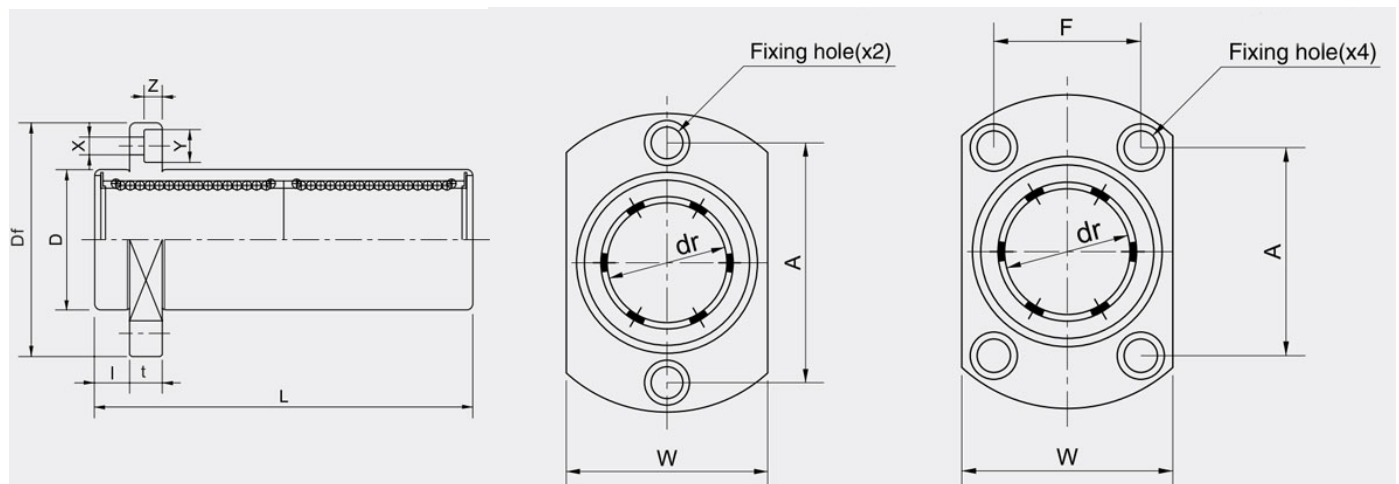


LMHP = Bearing with two side cut pilot flange according to the metric-Japanese standard.
LGA = high temperature resistant up to 200 °C, long Version.

Art.Nr. / Item No.	Wellendurch- messer / Shaft Diameter	Exzentrizität / Eccentricity (µm)	Rechtwinkligkeit / Squareness (µm)	Tragzahl / Basic load rating		Gewicht / Weight (g)
				Dynamisch C N Dynamic C N	Statisch Co N Static Co N	
LMHP6LGA	Ø6	15	15	323	529	30.6
LMHP8LGA	Ø8	15	15	431	784	51.6
LMHP10LGA	Ø10	15	15	588	1100	95
LMHP12LGA	Ø12	15	15	813	1570	112.4
LMHP13LGA	Ø13	15	15	813	1570	137
LMHP16LGA	Ø16	15	15	1230	2350	216
LMHP20LGA	Ø20	15	15	1400	2740	297
LMHP25LGA	Ø25	20	20	1560	3140	649
LMHP30LGA	Ø30	20	20	2490	5490	797
LMHP35LGA	Ø35	25	25	2650	6270	1148
LMHP40LGA	Ø40	25	25	3430	8040	1740

Linear Bearing with Two Side Cut Pilot Flange

Standard Length LMHP...LGA



bis LMH13GA /
till LMH13GA

ab LMH16GA und größer
I from LMH16GA and
bigger

Art.Nr. / Item No.	Maße und Toleranzen / Dimensions and tolerances														
	dr		D		L		I	Df	W	t	A	F	X	Y	Z
	mm	Tol. μm	mm	Tol. μm	mm	Tol. μm	mm	mm	mm	mm	mm	mm	mm	mm	mm
LMHP6LGA	6	0 / -10	12	0 / -13	35	± 300	5	28	18	5	20	-	3.5	6	3.1
LMHP8LGA	8	0 / -10	15	0 / -13	45	± 300	5	32	21	5	24	-	3.5	6	3.1
LMHP10LGA	10	0 / -10	19	0 / -13	55	± 300	6	40	25	6	29	-	4.5	7.5	4.1
LMHP12LGA	12	0 / -10	21	0 / -16	57	± 300	6	42	27	6	32	-	4.5	7.5	4.1
LMHP13LGA	13	0 / -10	23	0 / -16	61	± 300	6	43	29	6	33	-	4.5	7.5	4.1
LMHP16LGA	16	0 / -10	28	0 / -16	70	± 300	6	48	34	6	31	22	4.5	7.5	4.1
LMHP20LGA	20	0 / -12	32	0 / -19	80	± 300	8	54	38	8	36	24	5.5	9	5.1
LMHP25LGA	25	0 / -12	40	0 / -19	112	± 300	8	62	46	8	40	32	5.5	9	5.1
LMHP30LGA	30	0 / -12	45	0 / -19	123	± 300	10	74	51	10	49	35	6.6	11	6.1
LMHP35LGA	35	0 / -15	52	0 / -22	135	± 300	10	82	60	10	55	38	6.6	11	6.1
LMHP40LGA	40	0 / -1	60	0 / -22	151	± 300	13	96	70	13	64	45	9	14	8.1

Linear Bearing with Centred Round Flange

Long Version LMFM...LGA



Picture follows



LMFM = Bearing with centred round flange according to the metric-Japanese standard.
LGA = high temperature resistant up to 200 °C, long Version.

Art.Nr. / Item No.	Wellendurch- messer / Shaft Diameter	Exzentrizität / Eccentricity (µm)	Rechtwinkligkeit / Squareness (µm)	Tragzahl / Basic load rating		Gewicht / Weight (g)
				Dynamisch C N Dynamic C N	Statisch Co N Static Co N	
LMFM6LGA	Ø6	15	15	323	529	33.6
LMFM8LGA	Ø8	15	15	431	784	55.6
LMFM10LGA	Ø10	15	15	588	1100	103
LMFM12LGA	Ø12	15	15	813	1570	120.4
LMFM13LGA *	Ø13	15	15	813	1570	144
LMFM16LGA	Ø16	15	15	1230	2350	224
LMFM20LGA	Ø20	20	20	1400	2740	310
LMFM25LGA	Ø25	20	20	1560	3140	664
LMFM30LGA	Ø30	20	20	2490	5490	832
LMFM35LGA	Ø35	25	25	2650	6270	1218
LMFM40LGA	Ø40	25	25	3430	8040	1860
LMFM50LGA *	Ø50	25	25	6080	15900	3600
LMFM60LGA *	Ø60	30	30	7550	20000	4500
LMFM80LGA *	Ø80	30	30	11500	32000	9090

* on demand

Subject to errors and technical changes

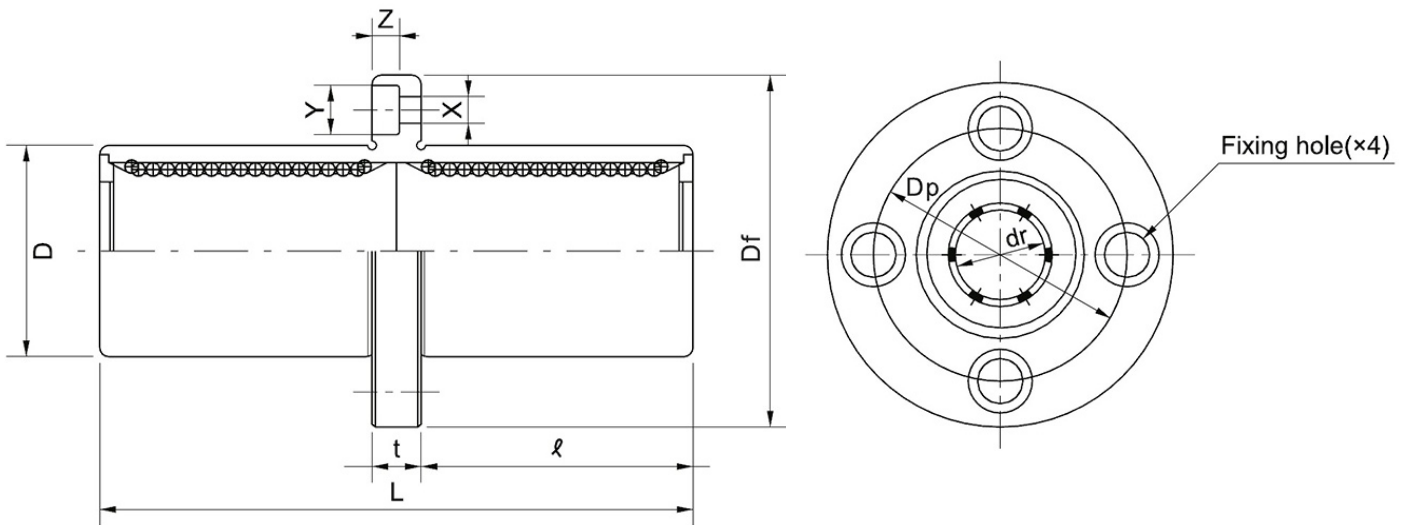
Current prices can be found in the
DOLD Mechatronics web shop.

info@dold-mechatronik.de
www.dold-mechatronik.de

Page 32
DOLD Mechatronik GmbH
Schleifmattstr. 2 – D-77716 Haslach
Phone: +49 7832 / 946 980

Linear Bearing with Flange - centred - round - long

LMFM...LGA



Art.Nr. / Item No.	Maße und Toleranzen / Dimensions and tolerances													
	dr		D		L		l	Df	K	t	Dp	X	Y	Z
	mm	Tol. μm	mm	Tol. μm	mm	Tol. μm	mm	mm	mm	mm	mm	mm	mm	mm
LMFM6LGA	6	0 / -10	12	0 / -13	35	± 300	15	28	22	5	20	3,5	6	3,1
LMFM8LGA	8	0 / -10	15	0 / -13	45	± 300	20	32	25	5	24	3,5	6	3,1
LMFM10LGA	10	0 / -10	19	0 / -16	55	± 300	24.5	40	30	6	29	4,5	7,5	4,1
LMFM12LGA	12	0 / -10	21	0 / -16	57	± 300	25.5	42	32	6	32	4,5	7,5	4,1
LMFM13LGA *	13	0 / -10	23	0 / -16	61	± 300	27.5	43	34	6	33	4,5	7,5	4,1
LMFM16LGA	16	0 / -10	28	0 / -16	70	± 300	32	48	37	6	38	4,5	7,5	4,1
LMFM20LGA	20	0 / -12	32	0 / -19	80	± 300	36	54	42	8	43	5,5	9	5,1
LMFM25LGA	25	0 / -12	40	0 / -19	112	0 / -400	52	62	50	8	51	5,5	9	5,1
LMFM30LGA	30	0 / -12	45	0 / -19	123	0 / -400	56.5	74	58	10	60	6,6	11	6,1
LMFM35LGA	35	0 / -15	52	0 / -22	135	0 / -400	62.5	82	64	10	67	6,6	11	6,1
LMFM40LGA	40	0 / -15	60	0 / -22	151	0 / -400	69	96	75	13	78	9	14	8,1
LMFM50LGA *	50	0 / -15	80	0 / -22	192	0 / -400	89.5	116	92	13	98	9	14	8,1
LMFM60LGA *	60	0 / -20	90	0 / -25	209	0 / -400	95.5	134	106	18	112	11	17	11,1
LMFM80LGA *	80	0 / -20	120	0 / -25	265	0 / -400	123.5	164	136	18	142	11	17	11,1

* on demand

Subject to errors and technical changes

Current prices can be found in the
DOLD Mechatronics web shop.

info@dold-mechatronik.de
www.dold-mechatronik.de

Page 33
DOLD Mechatronik GmbH
Schleifmattstr. 2 – D-77716 Haslach
Phone: +49 7832 / 946 980

Linear Bearing with Centred Square Flange

Long Version LMKM...LGA



Picture follows



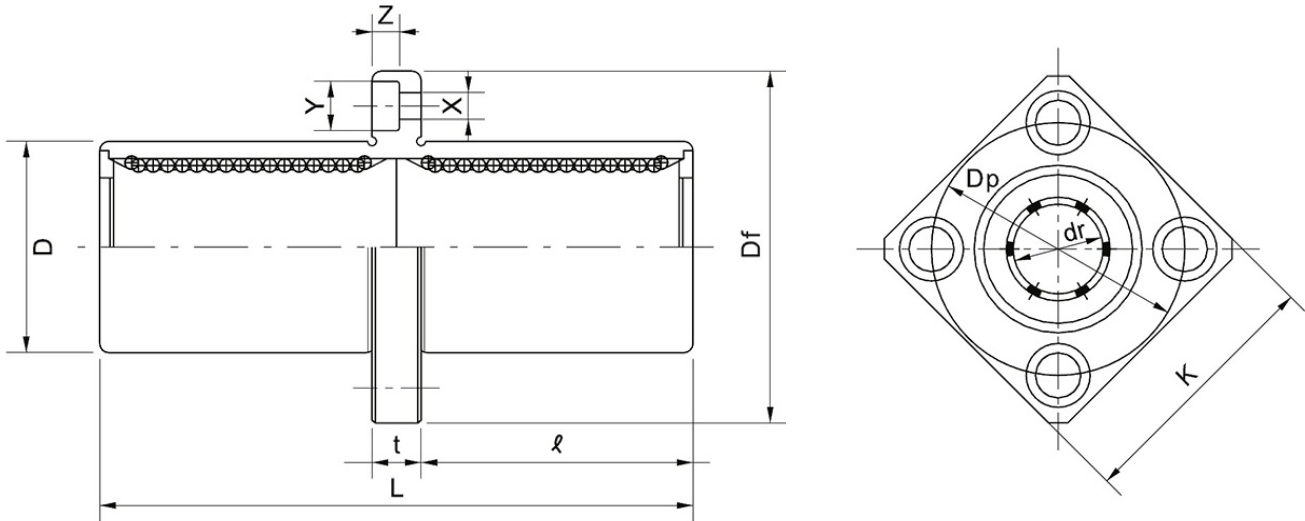
LMKM = Bearing with centred square flange according to the metric-Japanese standard.
LGA = high temperature resistant up to 200 °C, long Version.

Bezeichnung / Type	Wellendurch- messer / Shaft Diameter	Exzentrizität / Eccentricity (µm)	Rechtwinkligkeit / Squareness (µm)	Tragzahl / Basic load rating		Gewicht / Weight (g)
				Dynamisch C N Dynamic C N	Statisch Co N Static Co N	
LMKM6LGA	Ø6	15	15	323	529	27.6
LMKM8LGA	Ø8	15	15	431	784	47.6
LMKM10LGA	Ø10	15	15	588	1100	83
LMKM12LGA	Ø12	15	15	813	1570	100.4
LMKM13LGA *	Ø13	15	15	813	1570	122
LMKM16LGA	Ø16	15	15	1230	2350	199
LMKM20LGA	Ø20	20	20	1400	2740	275
LMKM25LGA	Ø25	20	20	1560	3140	624
LMKM30LGA	Ø30	20	20	2490	5490	742
LMKM35LGA	Ø35	25	25	2650	6270	1128
LMKM40LGA	Ø40	25	25	3430	8040	1670
LMKM50LGA *	Ø50	25	25	6080	15900	3400
LMKM60LGA *	Ø60	30	30	7550	20000	4060
LMKM80LGA *	Ø80	30	30	11500	32000	8590

* on demand

Linear Bearing with Centred Square Flange

Long Version LMKM...LGA



Art.Nr. / Item No.	Maße und Toleranzen / Dimensions and tolerances													
	dr		D		L		l	Df	K	t	Dp	X	Y	Z
	mm	Tol. μm	mm	Tol. μm	mm	Tol. μm	mm	mm	mm	mm	mm	mm	mm	mm
LMKM6LGA	6	0 / -10	12	0 / -13	35	± 300	15	28	22	5	20	3,5	6	3,1
LMKM8LGA	8	0 / -10	15	0 / -13	45	± 300	20	32	25	5	24	3,5	6	3,1
LMKM10LGA	10	0 / -10	19	0 / -16	55	± 300	24.5	40	30	6	29	4,5	7,5	4,1
LMKM12LGA	12	0 / -10	21	0 / -16	57	± 300	25.5	42	32	6	32	4,5	7,5	4,1
LMKM13LGA *	13	0 / -10	23	0 / -16	61	± 300	27.5	43	34	6	33	4,5	7,5	4,1
LMKM16LGA	16	0 / -10	28	0 / -16	70	± 300	32	48	37	6	38	4,5	7,5	4,1
LMKM20LGA	20	0 / -12	32	0 / -19	80	± 300	36	54	42	8	43	5,5	9	5,1
LMKM25LGA	25	0 / -12	40	0 / -19	112	0 / -400	52	62	50	8	51	5,5	9	5,1
LMKM30LGA	30	0 / -12	45	0 / -19	123	0 / -400	56.5	74	58	10	60	6,6	11	6,1
LMKM35LGA	35	0 / -15	52	0 / -22	135	0 / -400	62.5	82	64	10	67	6,6	11	6,1
LMKM40LGA	40	0 / -15	60	0 / -22	151	0 / -400	69	96	75	13	78	9	14	8,1
LMKM50LGA *	50	0 / -15	80	0 / -22	192	0 / -400	89.5	116	92	13	98	9	14	8,1
LMKM60LGA *	60	0 / -20	90	0 / -25	209	0 / -400	95.5	134	106	18	112	11	17	11,1
LMKM80LGA *	80	0 / -20	120	0 / -25	265	0 / -400	123.5	164	136	18	142	11	17	11,1

* on demand

Subject to errors and technical changes

Current prices can be found in the
DOLD Mechatronics web shop.

info@dold-mechatronik.de
www.dold-mechatronik.de

Page 35
DOLD Mechatronik GmbH
Schleifmattstr. 2 – D-77716 Haslach
Phone: +49 7832 / 946 980

Linear Bearing with Centred Two Side Cut Flange

Long Version LMHM...LGA



Picture follows



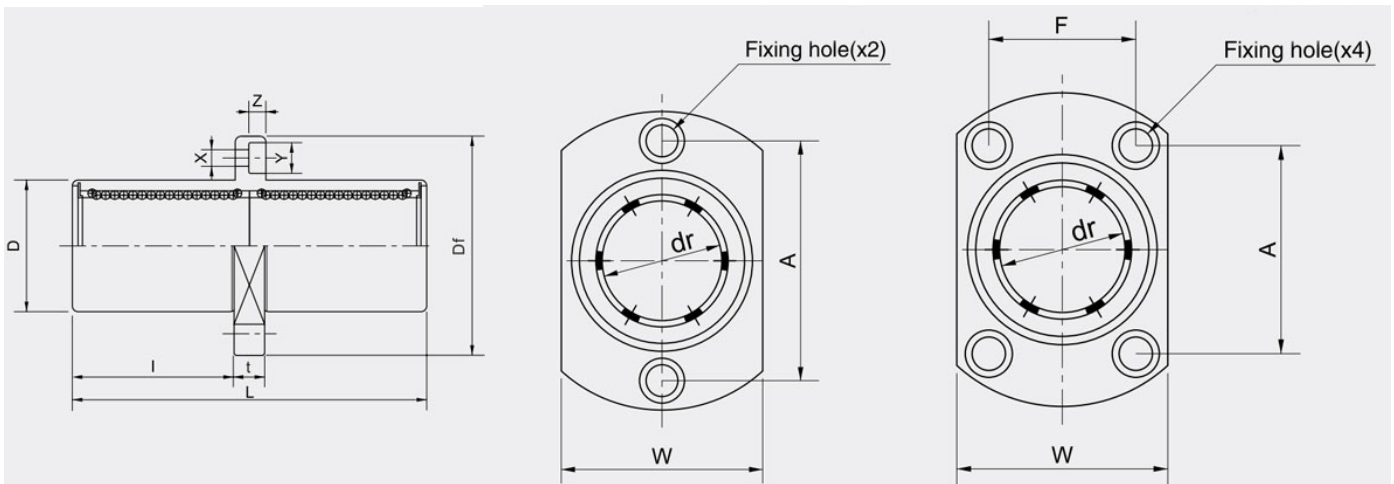
LMHM = Bearing with centred two side cut flange according to the metric-Japanese standard.
LGA = high temperature resistant up to 200 °C, long Version.

Bezeichnung / Type	Wellendurch- messer / Shaft Diameter	Exzentrizität / Eccentricity (µm)	Rechtwinkligkeit / Squareness (µm)	Tragzahl / Basic load rating		Gewicht / Weight (g)
				Dynamisch C N Dynamic C N	Statisch Co N Static Co N	
LMHM6LGA	Ø6	15	15	323	529	30.6
LMHM8LGA	Ø8	15	15	431	784	51.6
LMHM10LGA	Ø10	15	15	588	1100	95
LMHM12LGA	Ø12	15	15	813	1570	112.4
LMHM13LGA *	Ø13	15	15	813	1570	137
LMHM16LGA	Ø16	15	15	1230	2350	216
LMHM20LGA	Ø20	20	20	1400	2740	297
LMHM25LGA	Ø25	20	20	1560	3140	649
LMHM30LGA	Ø30	20	20	2490	5490	797
LMHM35LGA	Ø35	25	25	2650	6270	1148
LMHM40LGA	Ø40	25	25	3430	8040	1740

* on demand

Linear Bearing with Two Side Cut Square Flange

Long Version LMHM...LGA



bis LMH13GA /
till LMH13GA

ab LMH16GA und größer
I from LMH16GA and
bigger

Art.Nr. / Item No.	Maße und Toleranzen / Dimensions and tolerances														
	dr		D		L		l	Df	W	t	A	F	X	Y	Z
	mm	Tol. μm	mm	Tol. μm	mm	Tol. μm	mm	mm	mm	mm	mm	mm	mm	mm	mm
LMHM6LGA	6	0 / -10	12	0 / -13	35	± 300	15	28	18	5	20	-	3.5	6	3.1
LMHM8LGA	8	0 / -10	15	0 / -13	45	± 300	20	32	21	5	24	-	3.5	6	3.1
LMHM10LGA	10	0 / -10	19	0 / -16	55	± 300	24.5	40	25	6	29	-	4.5	7.5	4.1
LMHM12LGA	12	0 / -10	21	0 / -16	57	± 300	25.5	42	27	6	32	-	4.5	7.5	4.1
LMHM13LGA *	13	0 / -10	23	0 / -16	61	± 300	27.5	43	29	6	33	-	4.5	7.5	4.1
LMHM16LGA	16	0 / -10	28	0 / -16	70	± 300	32	48	34	6	31	22	4.5	7.5	4.1
LMHM20LGA	20	0 / -12	32	0 / -19	80	± 300	36	54	38	8	36	24	5.5	9	5.1
LMHM25LGA	25	0 / -12	40	0 / -19	112	0 / -400	52	62	46	8	40	32	5.5	9	5.1
LMHM30LGA	30	0 / -12	45	0 / -19	123	0 / -400	56.5	74	51	10	49	35	6.6	11	6.1
LMHM35LGA	35	0 / -15	52	0 / -22	135	0 / -400	62.5	82	60	10	55	38	6.6	11	6.1
LMHM40LGA	40	0 / -15	60	0 / -22	151	0 / -400	69	96	70	13	64	45	9	14	8.1

* on demand