

# Nema 17 Stepper Motor

Rev: A

Date:

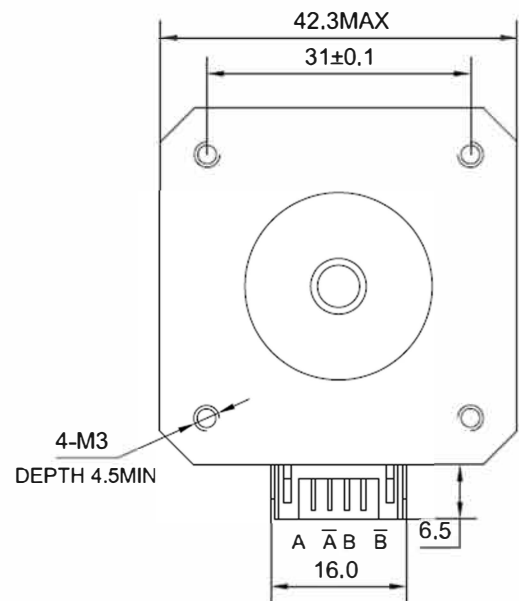
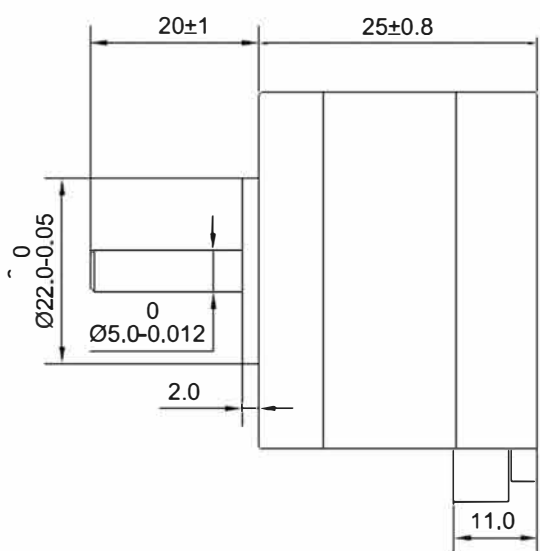
## COMMON RATINGS

Step angle :	1.8°	Dielectric strength :	500VAC
Positional accuracy :	±5%	Insulation resistance :	100Mohm(500VDC)
Number of Phase :	2	Ambient Temperature :	-10°C~50°C
Temperature rise :	80°C MAX	Insulation class :	B
Rotor Inertia :	20gcm <sup>2</sup>	Weight :	0.153 Kg

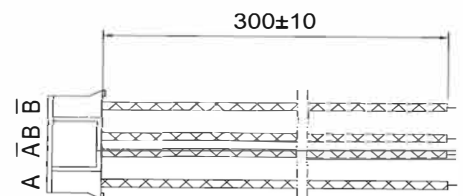
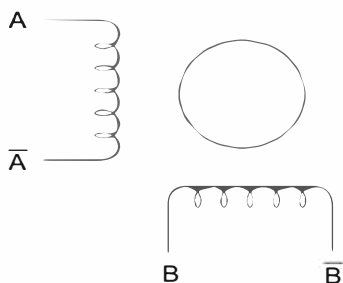
## SPECIFICATIONS

Holding Torque ( 2 phases on ) Kg.cm	Rated Current/Phase (Amps DC )	Phase Resistance ( ohms ) ±10%	Voltage Current/Phase ( V DC )	Phase Inductance ( mH )±20%(1KHz) Typical
1.8	0.7	4.2	2.9	5.5

## DIMENSIONS unit=mm



## CONNECTIONS



13003